



PARTS CATALOGUE

DR2E19T (J1B4) OTHERS



1UJ1B-400E1

()

DR2E19T
PARTS CATALOGUE
©2019 by Yamaha Motor Co., Ltd.
1st edition, February 2019
All rights reserved.
Any reprinting or unauthorized use
without the written permission of
Yamaha Motor Co., Ltd.
is expressly prohibited.
Printed in Japan.

FOREWORD

This Parts Catalogue is related to the parts for the model(s) on the cover page. When you are ordering replacement parts, please refer to this Parts Catalogue and quote both part numbers and part names correctly.

1. Modifications or additions which have been made after the issue of the Parts Catalogue will be announced in the Parts News.
It is advisable that you make the necessary corrections to the Parts Catalogue according to the Parts News.

2. Abbreviations

The following abbreviations are used in this Parts Catalogue.

“UR” Use specified parts number.

“UN” Use as many as needed.

“AP” Alternate Parts

“LM” Locally Made (Parts need to be ordered locally)

“F#” Frame No. (Applicable machine No.)

“O/S” Over Size

3. The number of components for assembly

- Parts, which are to be supplied in an assembly, are listed with a dot (.) in front of the part name as shown below.
- The numeral appearing to the right of each component part indicates the quantity of parts for each assembly unit.

PART NO.	DESCRIPTION	Q'TY	REMARKS
2F5-83310-60	FRONT FLASHER LIGHT ASSY	2	
115-83311-60	.BULB (6V-18W)	1	

4. Applicable colours of graphics are represented in the “REMARKS” as shown below.

PART NO.	DESCRIPTION	Q'TY	REMARKS
2N4-24110-00-X5	FUEL TANK COMP.	2	MXR
3J1-24240-10	.GRAPHIC, FUEL TANK	1	FOR MXR

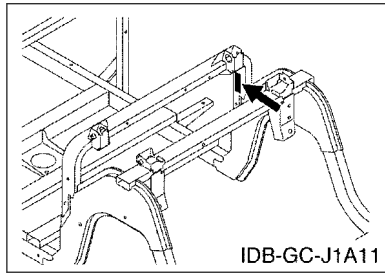
5. Note that the illustrations for reference in finding parts numbers are not to be used for assembling. When assembling, please use the applicable service manual.

6. The asterisk (*) before a reference number indicates modified items after the first edition.

FOREWORD

7. Applicable Serial No.

Frame Serial No.



8. Applicable Colour Code (The (*) mark shows Model colour.)

Abbreviation	Colour Name	Colour Code
BW1(*)	BLUISH WHITE 1	1571
DNGM3(*)	DARK GRAYISH GREEN METALLIC 3	0712
DPBMU(*)	DARK PURPLISH BLUE METALLIC U	0996
DRMK(*)	DEEP RED METALLIC K	0918
LYNM9(*)	LIGHT YELLOWISH GRAY ME 9	0752
SM1(*)	SILVER METALLIC 1	0660

9. Quantity Column Information

Column No.	Name Of Q'ty Column	Destination
1	J1B4	OTHERS

10. Applicable Starting Serial No.

Frame Serial No.

Serial No.	Name Of Q'ty Column	Model Code
J1B-401001	J1B4	J1B4

CONTENTS

BODY

REAR ARM & SUSPENSION.....	1
FRAME.....	2
FRONT SUSPENSION.....	3
STEERING.....	5
PEDAL WIRE.....	7
PEDAL ASSEMBLY.....	8
BRAKE.....	11

DRIVE

TRANSAXLE.....	12
WHEEL.....	14

R/G

WINDSHIELD.....	15
BUMPER.....	16
BODY.....	17
BODY 2.....	19
BODY FITTING.....	21
SUN ROOF.....	22
CARRIER.....	23
SEAT.....	24

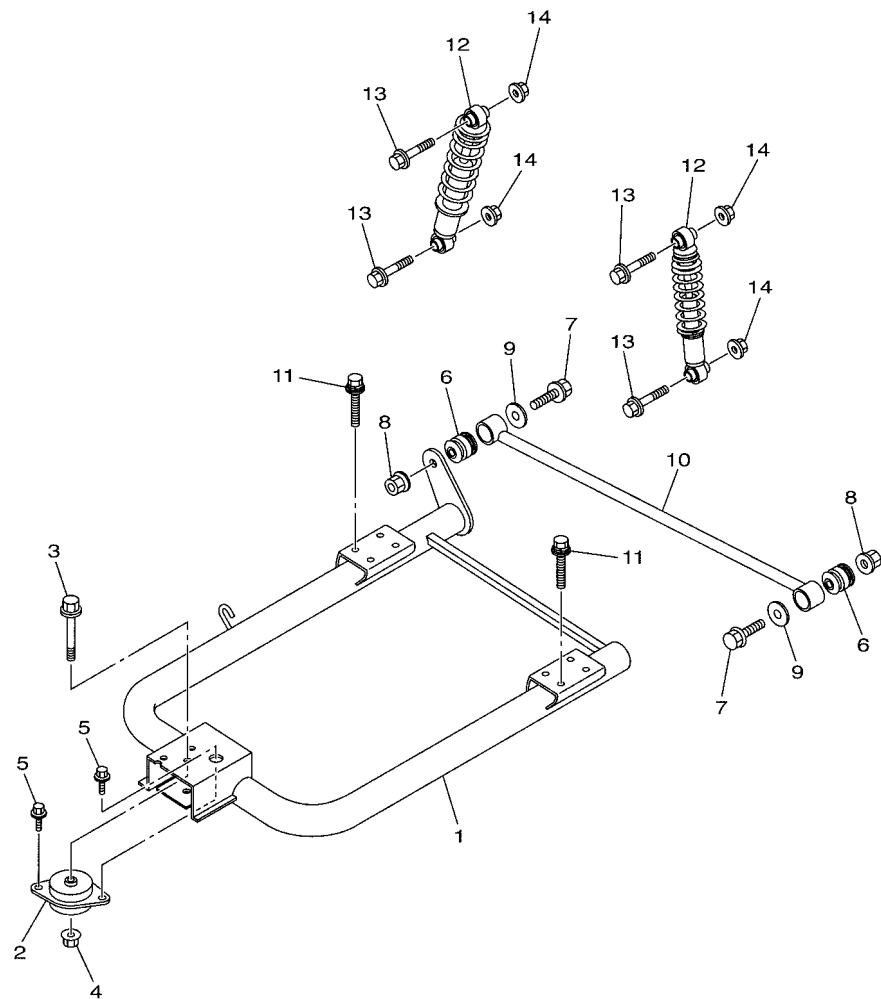
ELECTRICAL

ELECTRIC MOTOR.....	25
CONTROLLER 1.....	27
ELECTRICAL 1.....	28
BATTERY CHARGER.....	30

INDEX

NUMERICAL INDEX.....	31
----------------------	----

FIG. 1 REAR ARM & SUSPENSION



J1B1400-S010

REF. NO.	PART NO.	DESCRIPTION	J1B4				REMARKS
1	J1B-F2110-00	REAR ARM COMP.	1				
2	JX4-22123-00	BUSH 1	1				
3	90105-12031	BOLT, FLANGE	1				
4	95602-12200	NUT, SELF-LOCKING	1				
5	95812-10016	BOLT, FLANGE	2				
6	JN6-F2124-10	BUSH 2	2				
7	95812-12065	BOLT, FLANGE	2				
8	95602-12200	NUT, SELF-LOCKING	2				
9	90201-12426	WASHER, PLATE	2				
10	J1A-F217G-00	ROD, CONNECTING 2	1				
11	97512-10620	BOLT, WITH WASHER	8				
12	JW6-F2210-01	SHOCK ABSORBER ASSY, REAR	2				
13	95812-10055	BOLT, FLANGE	4				
14	95602-10200	NUT, S/L FLANGE	4				

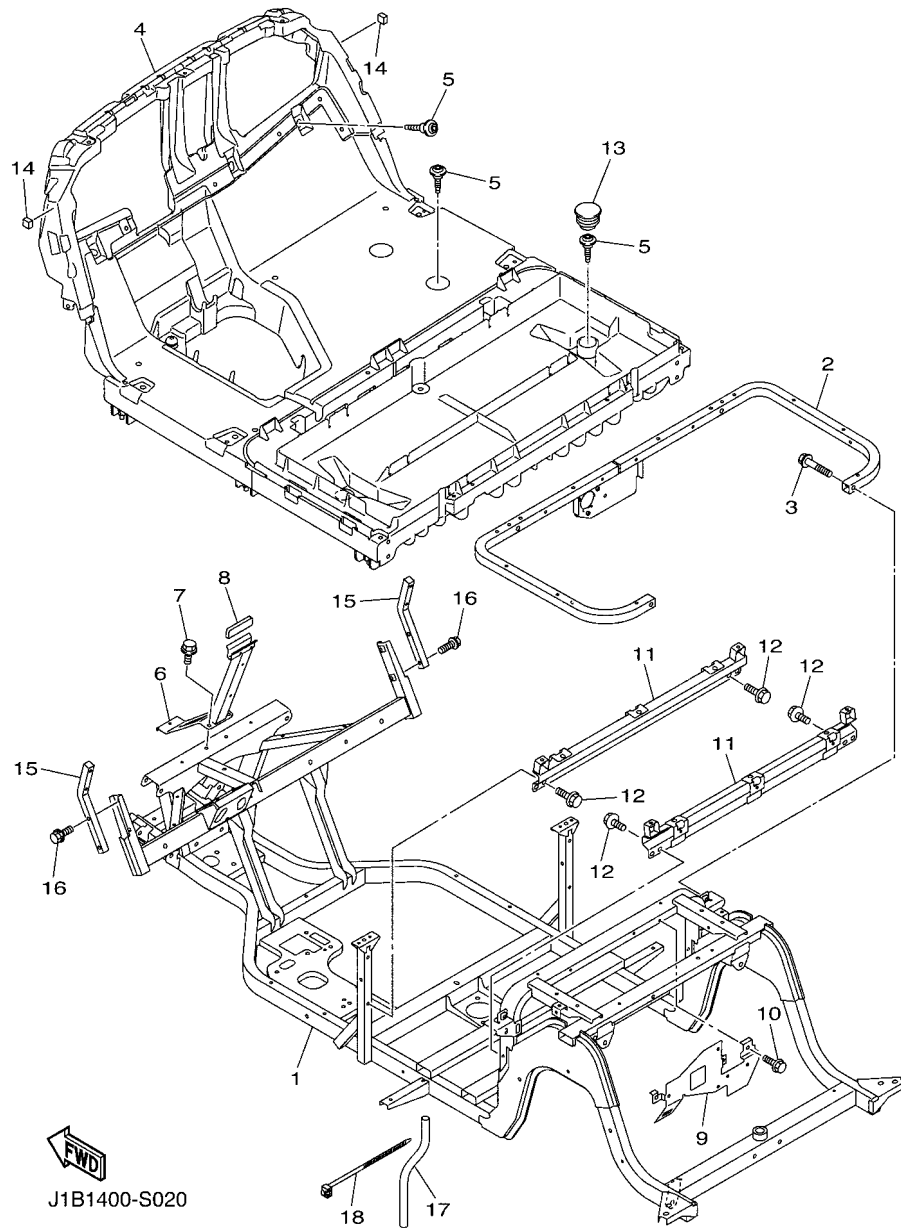
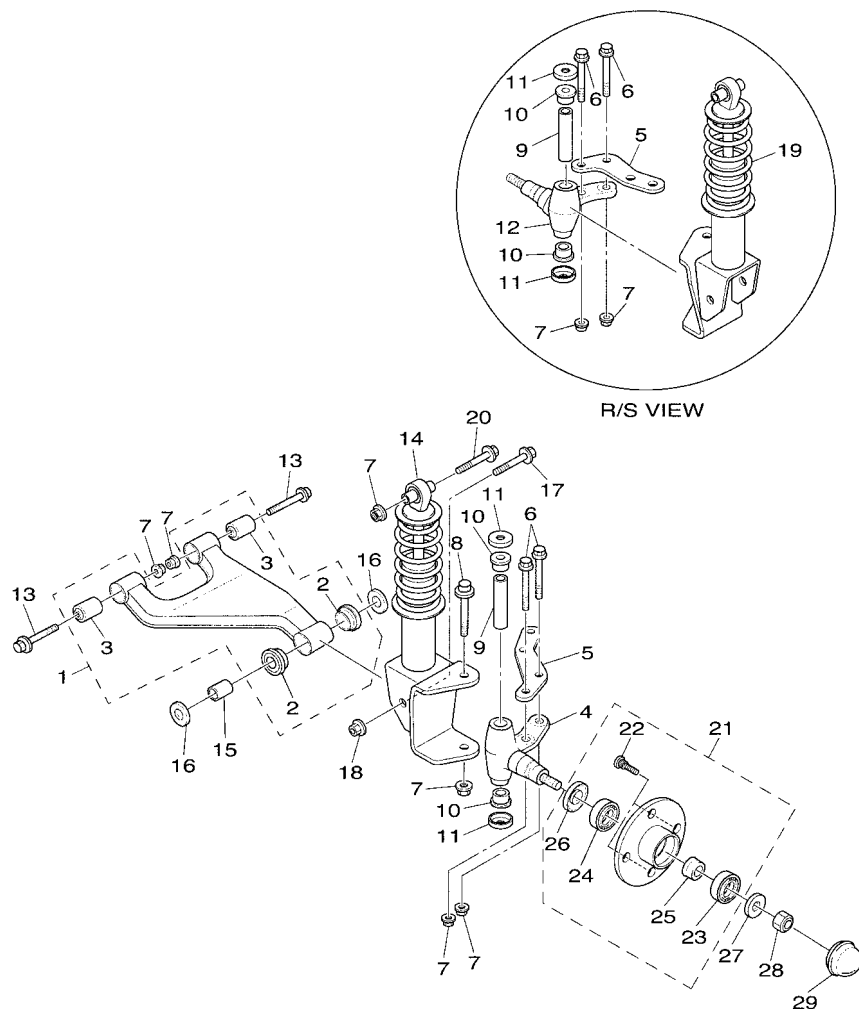


FIG. 2 FRAME

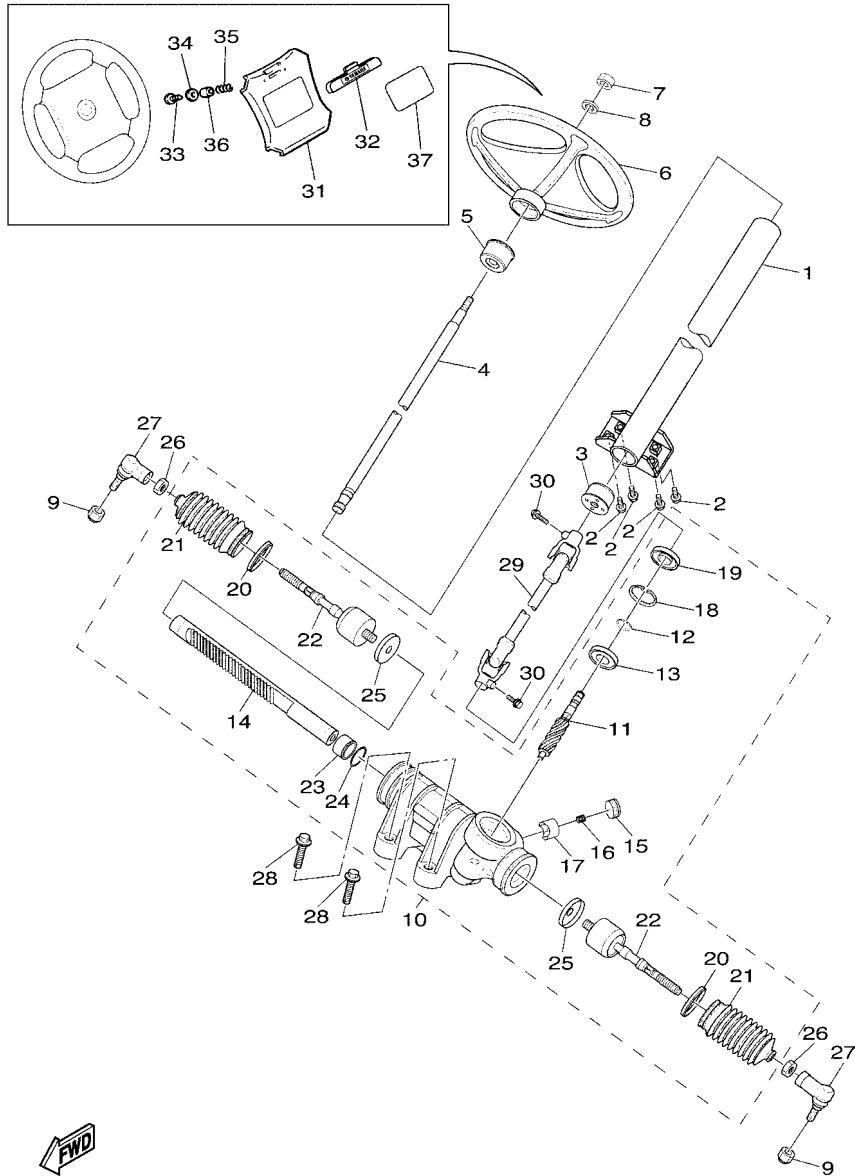
REF. NO.	PART NO.	DESCRIPTION	J1B4	REMARKS
1	J1B-F2501-00	FRAME COMP.	1	
2	J1B-F255G-00	MEMBER, SEAT SUPPORT	1	
3	95812-08040	BOLT, FLANGE	2	
4	J0E-F7411-01	FOOTREST 1	1	
5	J0B-F1738-00	BOLT	9	
6	J1B-F258E-00	SUPPORT, FRONT COWL	1	
7	95822-08016	BOLT, FLANGE	2	
8	J1B-F2127-00	SHIM	1	
9	J1A-F252M-00	BRACKET, 3	1	
10	95822-06016	BOLT, FLANGE	3	
11	J1A-F2535-01	STAY, BATTERY 1	2	
12	95822-08016	BOLT, FLANGE	4	
13	JW9-F2417-00	PLUG	2	
14	J1B-K821A-00	PAD, BODY MOUNTING1	2	
15	J1B-K816M-00	SUPPORT, HOLDER	2	
16	95D32-08030	BOLT, FLANGE DEEP RECESS	4	
17	J0B-F125J-00	PIPE, DRAIN	2	
18	90464-70803	CLAMP	2	

FIG. 3 FRONT SUSPENSION



J1B1400-S030

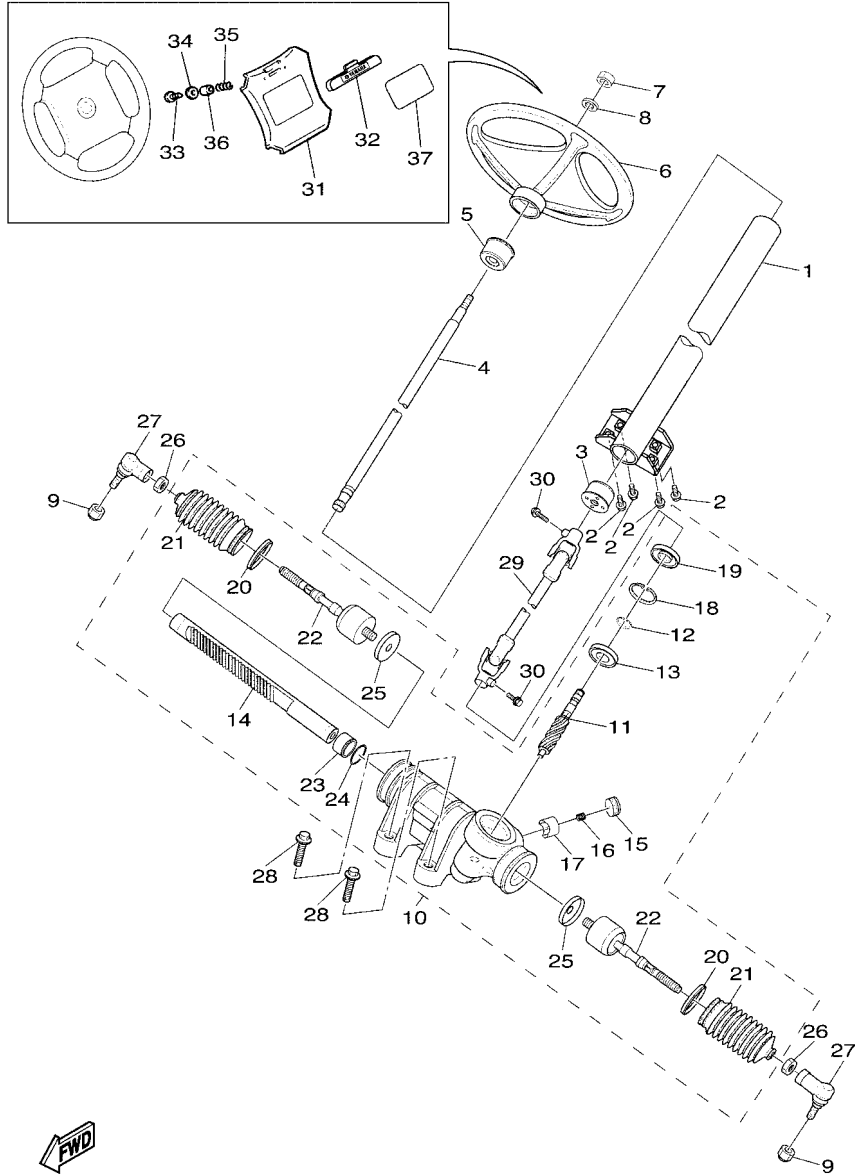
REF. NO.	PART NO.	DESCRIPTION	J1B4				REMARKS
1	JU0-F3570-20	FRONT LOWER ARM COMP.	2				
2	90381-18001	.BUSH, SOLID	2				
3	2HR-23526-00	.BUSH	2				
4	JU0-F3511-10	KNUCKLE, STEERING 1	1				
5	JW1-F3512-00	ARM, KNUCKLE 1	2				
6	90105-10373	BOLT, FLANGE	4				
7	95602-10200	NUT, S/L FLANGE	12				
8	90105-10219	BOLT, FLANGE	2				
9	2NL-23448-00	SPACER	2				
10	90381-17800	BUSH, SOLID	4				
11	2NL-23517-00	COVER, THRUST 1	4				
12	JU0-F3521-10	KNUCKLE, STEERING 2	1				
13	90105-10267	BOLT, FLANGE	4				
14	J0C-F3350-00	SHOCK ABSORBER ASSY	1				
15	90387-12016	COLLAR	2				
16	J1A-F2128-00	COVER, THRUST 1	4				
17	95812-12080	BOLT, FLANGE	2				
18	95612-12100	NUT, U	2				
19	J0C-F3390-00	SHOCK ABSORBER ASSY 2	1				
20	90105-10267	BOLT, FLANGE	2				
21	JC1-F5103-00	HUB BEARING UNIT ASSY	2				
22	90114-12004	.BOLT, SERRATION	4				
23	93306-20437	.BEARING	1				
24	93306-005Y3	.BEARING	1				
25	90387-241M7	.COLLAR	1				
26	93102-30803	.OIL SEAL	1				
27	90209-32271	WASHER	2				



J1A1400-R040

FIG. 4 STEERING

REF. NO.	PART NO.	DESCRIPTION	J1B4				REMARKS
1	J1A-F3811-00	COLUMN, STEERING	1				
2	95812-08020	BOLT, FLANGE	4				
3	JU0-F3857-11	HOLDER	1				
4	J1A-F3828-00	ROD, STEERING	1				
5	JU0-F3857-11	HOLDER	1				
6	JN3-F3838-00	WHEEL, STEERING	1				
7	90185-12008	NUT, SELF-LOCKING	1				
8	92902-12200	WASHER	1				
9	95602-12200	NUT, SELF-LOCKING	2				
10	J1A-23400-01	STEERING ASSY	1				
11	J1A-2387A-00	.GEAR, PINION	1				
12	JX4-2384N-00	.CLIP, RING	1				
13	JX4-23812-01	.BEARING, STEERING	1				
14	J1A-2387E-00	.GEAR, RACK	1				
15	JR7-2387G-00	.COVER, ADJUST	1				
16	JR7-2387K-00	.SPRING, PRESSURE	1				
17	JR7-2387F-00	.PAD, PRESSURE	1				
18	JR7-2387J-00	.RING, STOPPER	1				
19	JR7-23844-00	.SEAL	1				
20	J1A-23489-00	.BAND	2				
21	J1A-23527-00	.SEAL, DUST 1	2				
22	J1A-23837-00	.ROD, TIE 2	2				
23	JR7-2467K-00	.BUSH CAP	1				
24	JR7-23866-00	.RING, SNAP	1				
25	JR7-23894-00	.WASHER, LOCK 1	2				
26	1P0-F3833-00	NUT 1	2				
27	J1A-F3841-00	JOINT, UNIVERSAL 1	2				

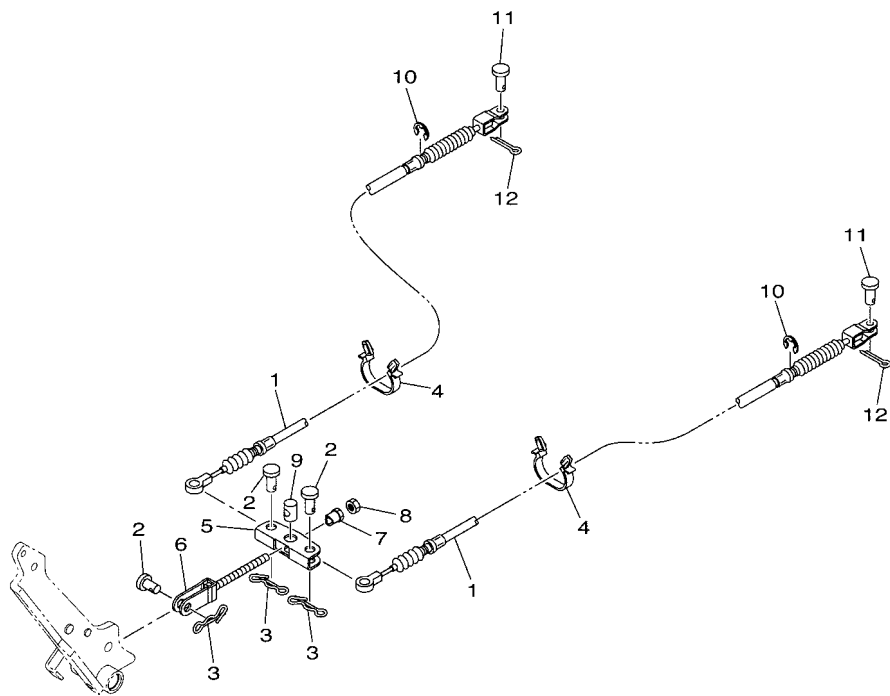


J1A1400-R040

FIG. 4 STEERING

REF. NO.	PART NO.	DESCRIPTION	J1B4				REMARKS
28	95812-10040	BOLT, FLANGE	4				
29	J1A-23822-00	JOINT 1	1				
30	97512-08530	BOLT, WITH WASHER	2				
31	JW8-K8357-00	HOLDER 1	1				
32	JN6-K8358-01	HOLDER 2	1				
<hr/>							
33	97702-40525	SCREW, TAPPING	2				
34	90201-044H9	WASHER, PLATE	2				
35	90502-10013	SPRING, CONICAL	2				
36	90387-046N7	COLLAR	2				
37	JW8-K7762-00	LABEL, WARNING 2	1				
<hr/>							
<hr/>							
<hr/>							
<hr/>							
<hr/>							
<hr/>							
<hr/>							
<hr/>							
<hr/>							
<hr/>							

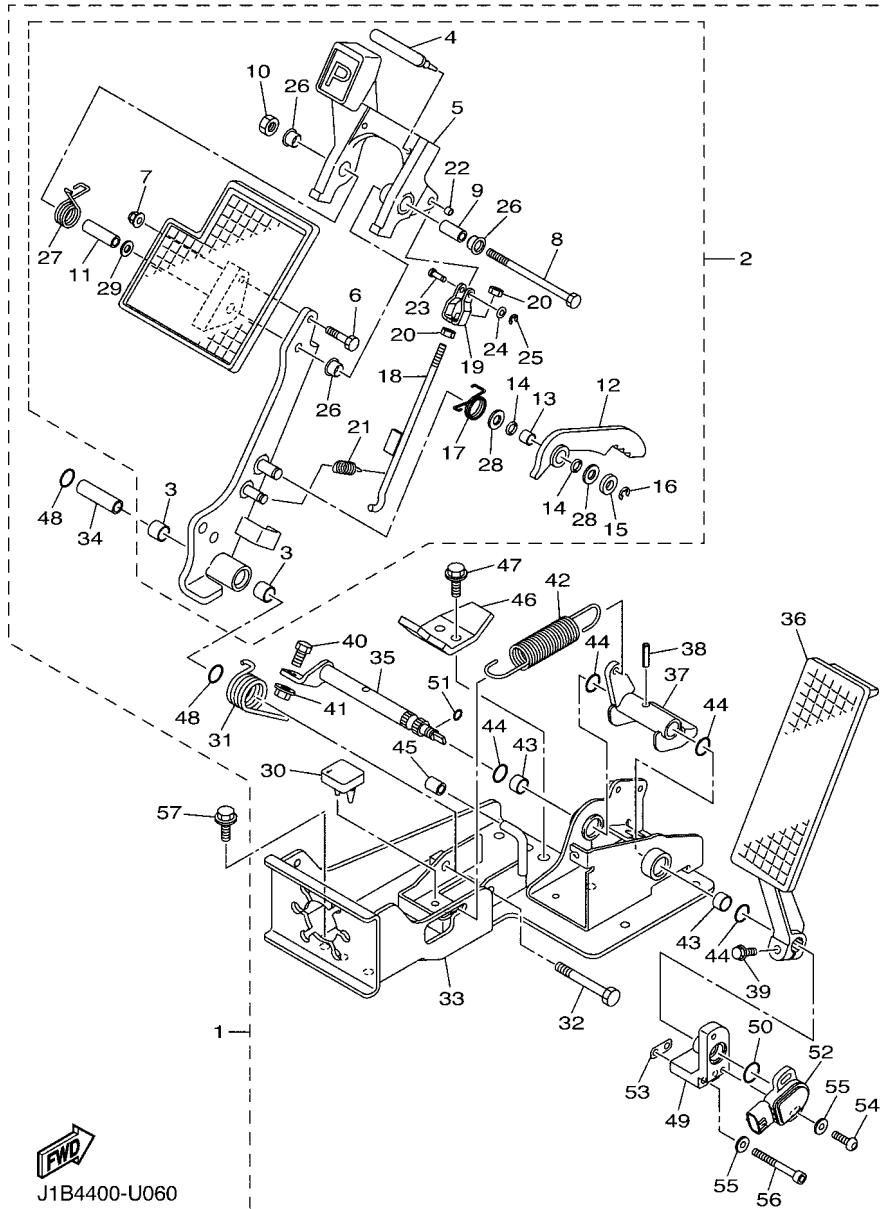
FIG. 5 PEDAL WIRE



REF. NO.	PART NO.	DESCRIPTION	J1B4				REMARKS
1	J1A-F6351-00	CABLE, BRAKE	2				
2	91702-10026	PIN, CLEVIS	3				
3	90468-20196	CLIP	3				
4	90464-24230	CLAMP	4				
5	JW8-F5681-10	EQUALIZER, BRAKE	1				
6	JN6-F5685-01	ROD	1				
7	90179-08261	NUT	1				
8	95307-08700	NUT	1				
9	90249-14129	PIN	1				
10	99002-09600	CIRCLIP	2				
11	91702-08018	PIN, CLEVIS	2				
12	91490-25015	PIN, COTTER	2				



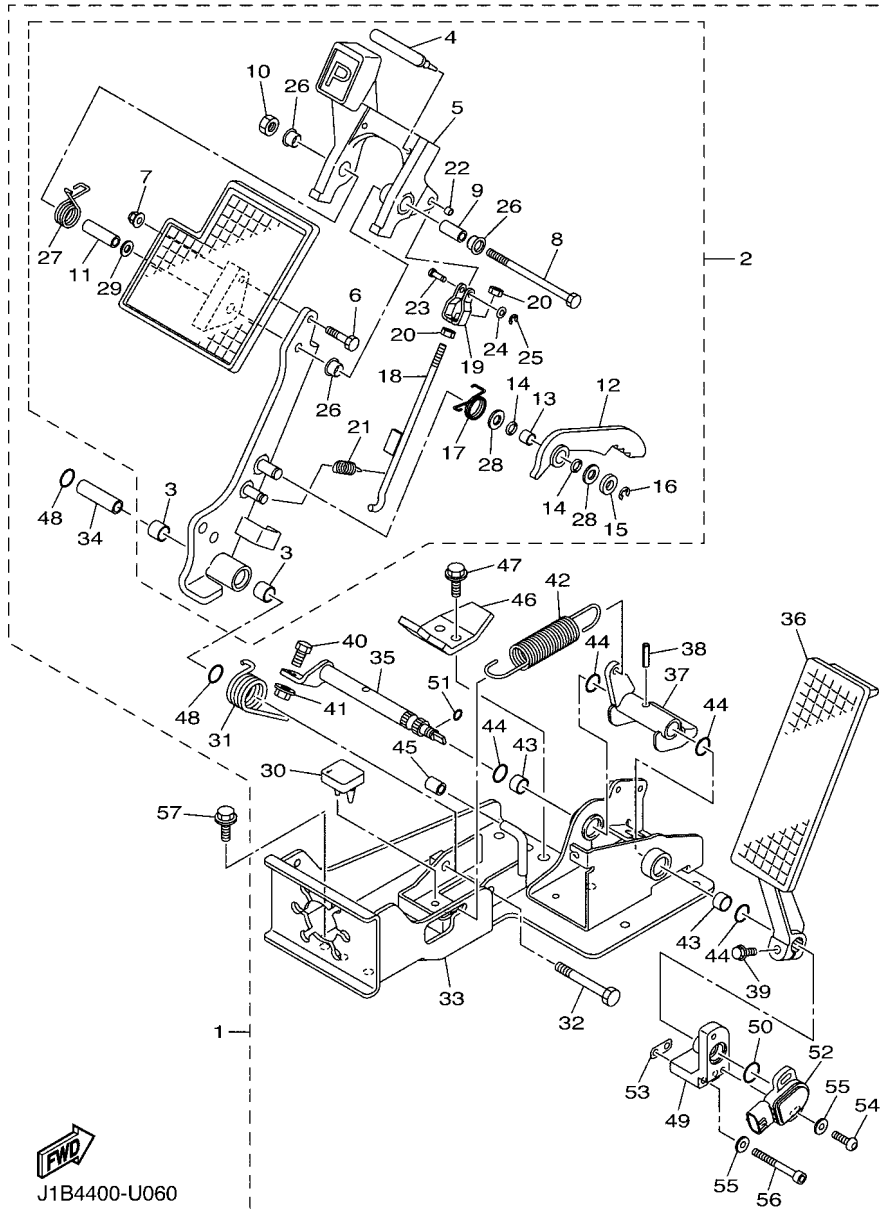
J1A1400-R050



J1B4400-U060

FIG. 6 PEDAL ASSEMBLY

REF. NO.	PART NO.	DESCRIPTION	J1B4	REMARKS
1	JW9-F7850-32	PEDAL ASSY (L.H)	1	
2	JW9-F7200-21	.PEDAL, BRAKE	1	
3	JW8-F7814-21	.BUSH, PEDAL	2	
4	JW9-F5672-00	..PAD, PARKING PEDAL	1	
5	JW9-F5671-00	..PEDAL, PARKING BRAKE	1	
6	JW8-F7117-00	..BOLT, MAIN STAND	1	
7	JW8-F8363-00	..NUT	1	
8	JW8-F7416-00	..BOLT, FOOTREST	1	
9	JW8-F639N-00	..COLLAR	1	
10	JW8-F7218-00	..NUT	1	
11	JW8-F7113-00	..COLLAR, MAIN STAND	1	
12	JW9-F5666-00	..SECTOR, PARKING BRAKE	1	
13	JW8-F7121-00	..BUSH	1	
14	JW9-F7221-00	..SEAL, SHAFT	2	
15	JW8-F7322-00	..WASHER	1	
16	JW8-F3183-00	..CIRCLIP	1	
17	JW8-F7426-01	..SPRING, RETURN	1	
18	JW9-F7231-10	..ROD, BRAKE	1	
19	JW9-F7232-00	..END, ROD 2	1	
20	JW8-F7318-00	..NUT	2	
21	JW8-F6314-00	..SPRING	1	
22	JW8-F639L-00	..BUSH 1	1	
23	JW9-F7228-00	..PIN, JOINT	1	
24	JW8-F8323-00	..WASHER, LEG SHIELD	1	
25	JW8-F5415-00	..CIRCLIP	1	
26	90386-12800	..BUSH	3	
27	JW8-F7825-01	..SPRING, RETURN	1	

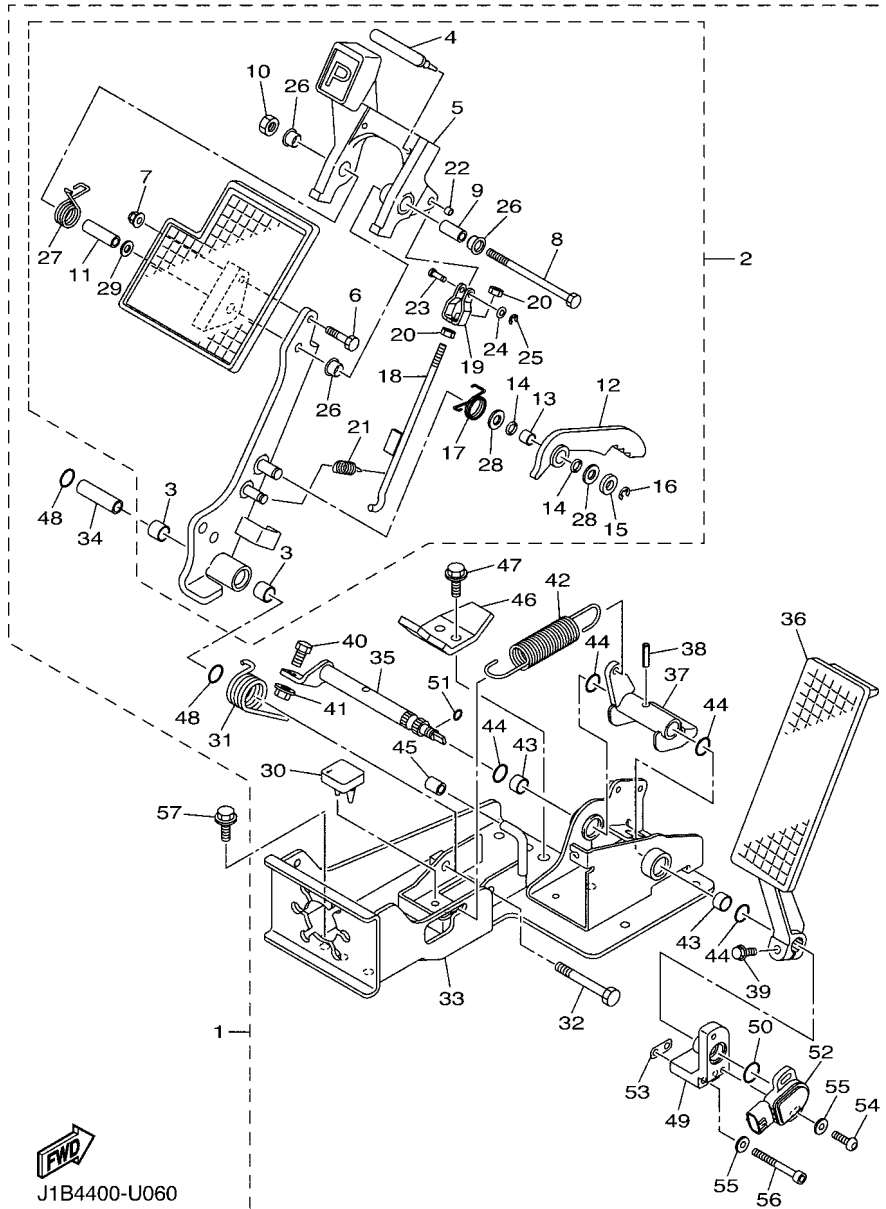


J1B4400-U060

FIG. 6 PEDAL ASSEMBLY

REF. NO.	PART NO.	DESCRIPTION	J1B4	REMARKS
28	JW8-F7119-00	..WASHER	2	
29	JW8-F8319-00	..WASHER	1	
30	JW9-F7245-10	.PAD, BRAKE PEDAL	1	
31	JW8-F7316-01	.SPRING, SIDE STAND	1	
32	JW8-F7217-00	.BOLT	1	
33	JW9-F7445-31	.PLATE 1	1	
34	JW8-F7213-20	.COLLAR	1	
35	JW9-F7853-00	.SHAFT, PEDAL 1	1	
36	JW9-F7871-10	.PEDAL, ACCELERATOR	1	
37	JW9-F7872-20	.ARM, ACCELERATOR PEDAL	1	
38	JW8-F7438-00	.PIN, CLEVIS	1	
39	JW8-F7434-00	.BOLT	1	
40	JW8-F7317-00	.BOLT	1	
41	JW8-F7118-00	.NUT	1	
42	J0G-F815H-00	.SPRING	1	
43	JW8-F7814-21	.BUSH, PEDAL	2	
44	JW8-F4486-00	.O-RING	4	
45	JW9-F5673-00	.DAMPER, BRAKE	1	
46	JW9-F7246-20	.NAIL, BRAKE	1	
47	JW8-F8331-00	.BOLT, LEG SHIELD	2	
48	JW8-F4486-00	.O-RING	2	
49	JW9-F7263-00	.BRACKET 1	1	
50	JW9-F4648-20	.O-RING	1	
51	JW8-F41B8-00	.O-RING	1	
52	JW9-H5885-00	.THROTTLE SENSOR ASSY	1	
53	JW9-F5827-00	.SHIM, CALIPER	1	UR T: 0.5 MM
	JW9-F5827-10	.SHIM, CALIPER	1	UR T: 0.9 MM

FIG. 6 PEDAL ASSEMBLY



REF. NO.	PART NO.	DESCRIPTION	J1B4	REMARKS
54	JW9-F632G-00	.SCREW	2	
55	90201-05824	.WASHER, PLATE	4	
56	JW8-F7435-00	.BOLT	2	
57	95812-08020	BOLT, FLANGE	6	

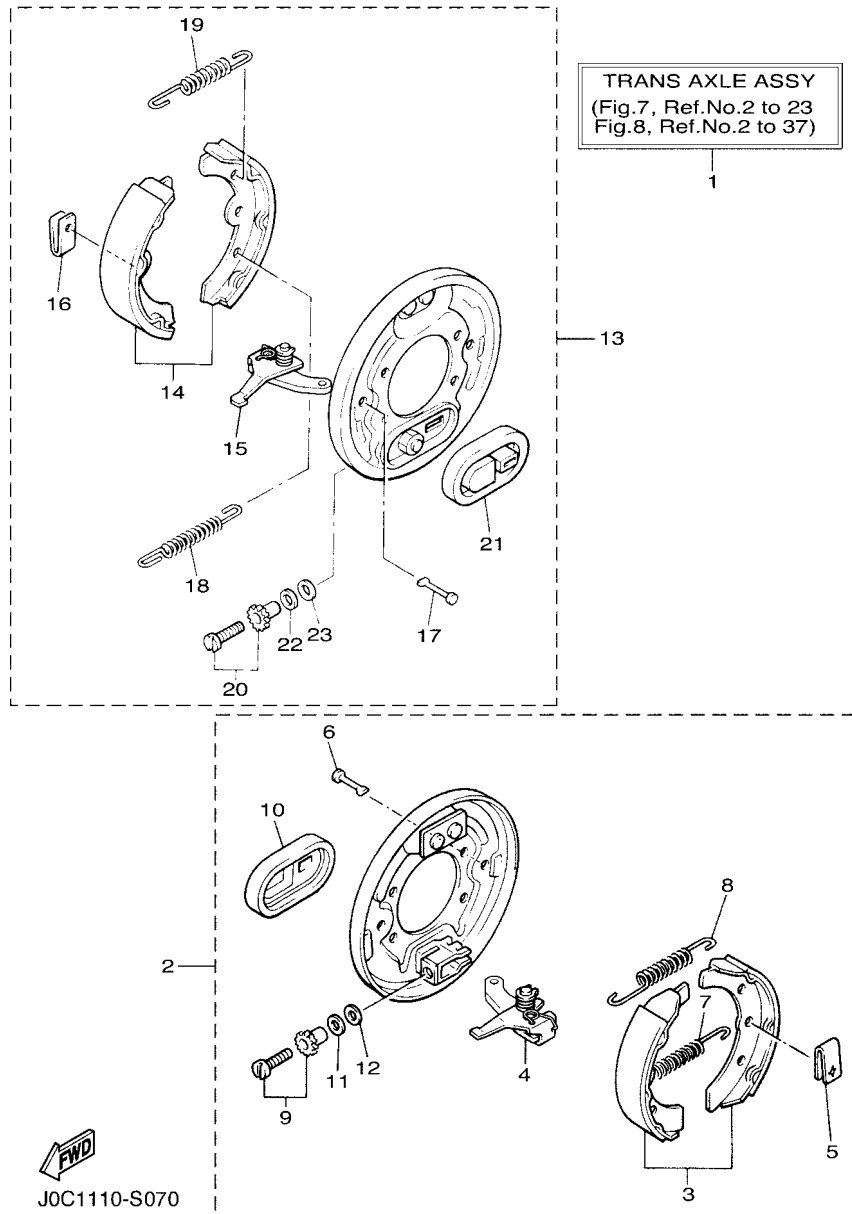
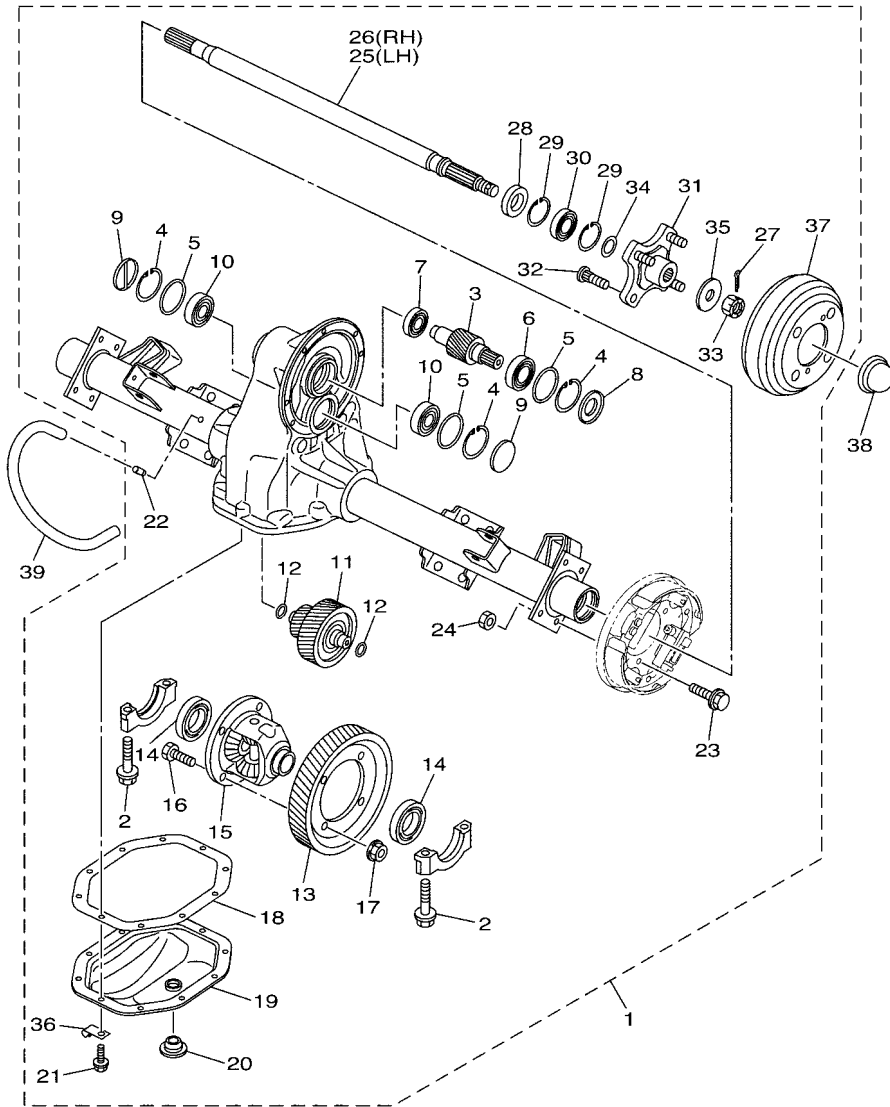


FIG. 7 BRAKE

REF. NO.	PART NO.	DESCRIPTION	JTB4				REMARKS
1	J0C-G6300-01	TRANS AXLE ASSY	1				
2	JW8-F7290-10	..BACKING PLATE ASSY 2	1				
3	JN9-W2536-11	..BRAKE SHOE SET	1				
4	J38-27205-00	..LEVER ASSY 2	1				
5	JW8-F7281-00	..SPRING, SHOE CLAMP	2				
6	J10-27282-00	..PIN, SHOE HOLD DOWN	2				
7	90506-20281	..SPRING, TENSION	1				
8	90506-14001	..SPRING, TENSION	1				
9	J55-27260-00	..ADJUSTER ASSY	1				
10	JW8-F7286-00	..COVER, DUST	1				
11	90201-121H9	..WASHER, PLATE	1				
12	90201-121H8	..WASHER, PLATE	1				
13	JW8-F7280-10	..BACKING PLATE ASSY 1	1				
14	JN9-W2536-11	..BRAKE SHOE SET	1				
15	J38-27204-00	..LEVER ASSY 1	1				
16	JW8-F7281-00	..SPRING, SHOE CLAMP	2				
17	J10-27282-00	..PIN, SHOE HOLD DOWN	2				
18	90506-20281	..SPRING, TENSION	1				
19	90506-14001	..SPRING, TENSION	1				
20	J55-27270-00	..ADJUSTER ASSY	1				
21	JW8-F7286-00	..COVER, DUST	1				
22	90201-121H9	..WASHER, PLATE	1				
23	90201-121H8	..WASHER, PLATE	1				

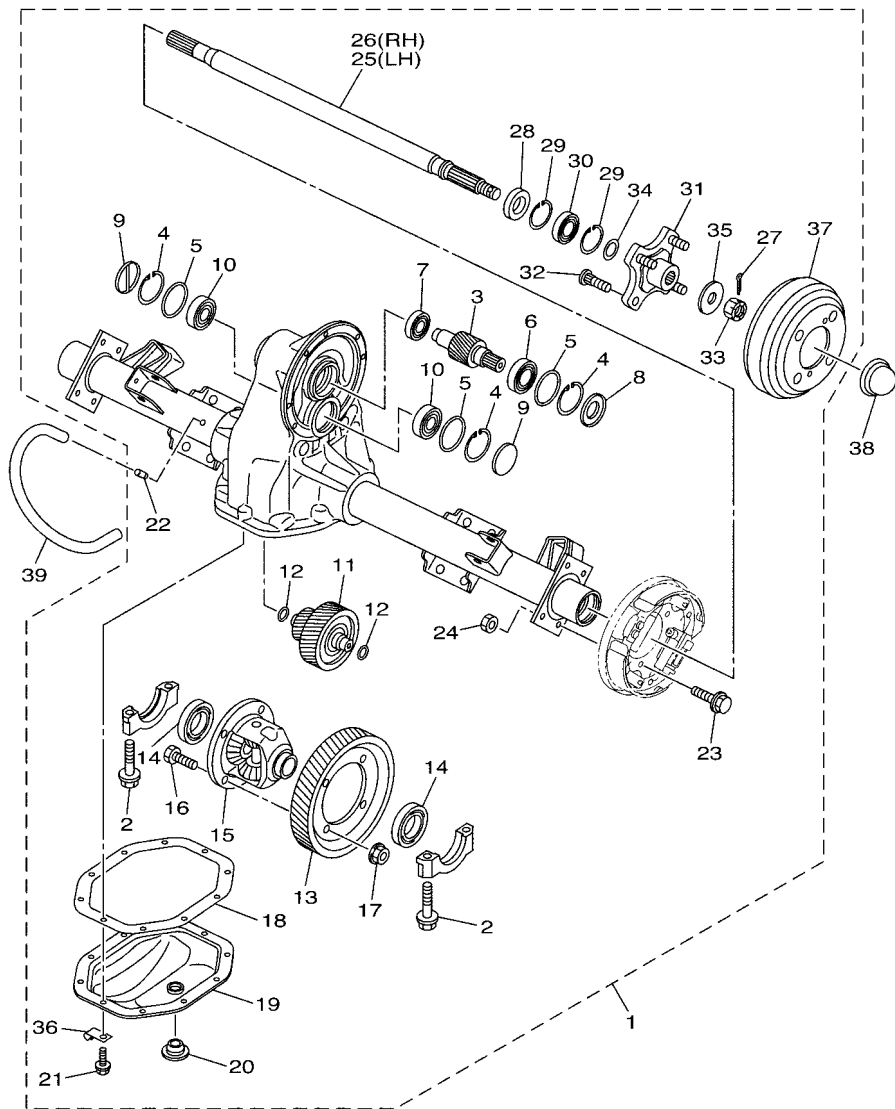


J0C1110-S080

FIG. 8 TRANSAXLE

REF. NO.	PART NO.	DESCRIPTION	JTB4	REMARKS
1	J0C-G6300-01	TRANS AXLE ASSY	1	
2	90105-10840	.BOLT, FLANGE	4	
3	JW9-G6321-00	.SHAFT, INPUT	1	
4	93420-50804	.CIRCLIP	3	
5	93210-478B8	.O-RING	3	
6	93306-005Y1	.BEARING	1	
7	93306-203X1	.BEARING	1	
8	JW9-G6136-00	.SEAL 1	1	
9	JH7-G3396-01	.PLUG, BLIND	2	
10	93306-303Y6	.BEARING	2	
11	JW9-G6350-00	.COUNTER GEAR ASSY	1	
12	93210-148B9	.O-RING	2	
13	JW9-G6421-00	.GEAR, RING	1	
14	93306-007Y0	.BEARING	2	
15	JW9-G6410-00	.DIFFERENTIAL ASSY.	1	
16	90101-10854	.BOLT	4	
17	90170-10840	.NUT	4	
18	JW9-G631A-00	.GSKT., CASE	1	
19	JW9-G6312-00	.CASE, TRANSMISSION 2	1	
20	JN3-G6432-00	.STOPPER	1	
21	90101-08856	.BOLT	10	
22	JW8-G5378-00	.NIPPLE, HOSE	1	
23	90101-08855	.BOLT	8	
24	90170-08841	.NUT	8	
25	JR1-G6511-00	.SHAFT, REAR AXLE 1 (L.H)	1	
26	JR1-G6512-00	.SHAFT, REAR AXLE 2 (R.H)	1	
27	91490-30030	.PIN. COTTER	2	

FIG. 8 TRANSAXLE

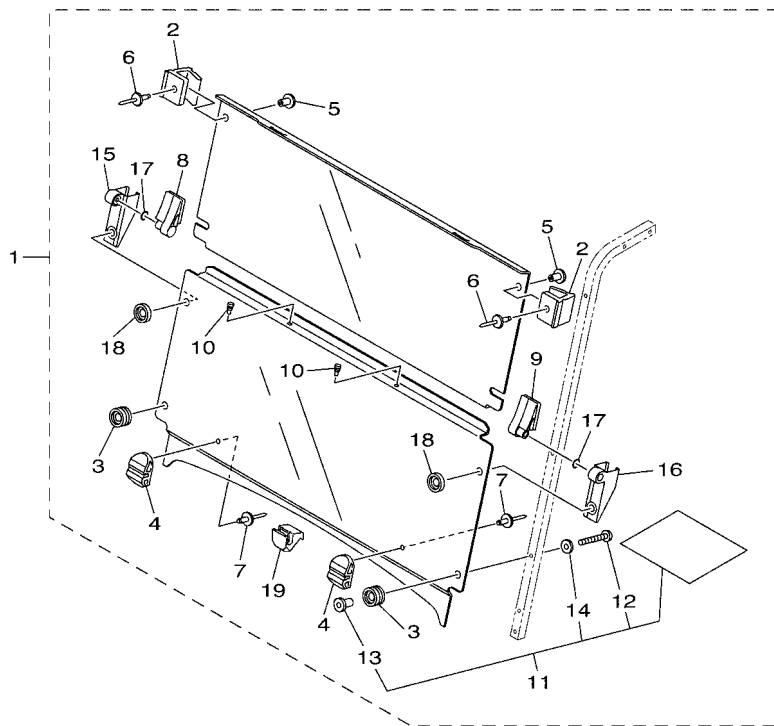


REF. NO.	PART NO.	DESCRIPTION	JTB4	REMARKS
28	93101-24822	.OIL SEAL	2	
29	93420-44805	.CIRCLIP	4	
30	93306-00440	.BEARING	2	
31	JW8-G6514-00	.HUB, REAR AXLE	2	
32	JW8-G4178-00	.BOLT, STUD	8	
33	JW8-G5244-00	.NUT	2	
34	JW8-G2535-00	.WASHER, THRUST	2	
35	JW8-G2536-00	.WASHER, THRUST 2	2	
36	JW8-G2756-00	.STAY, CLAMP	1	
37	JW8-G6521-00	.DRUM	2	
38	JW8-F5118-00	COVER, HUB DUST	2	
39	JW8-G2541-00	PIPE 1	1	



J0C1110-S080

FIG. 10 WINDSHIELD



REF. NO.	PART NO.	DESCRIPTION	J1B4	REMARKS
1	J0B-K7200-24	WINDSHIELD ASSY	1	
2	J0B-K7173-21	.LEVER, LATCH 1	2	
3	J0B-K7237-00	.GROMMET	2	
4	J0B-K7257-20	.GROMMET, W/S 3	2	
5	J0G-K7155-C0	.RIVET 1	2	
6	J0G-K7156-C0	.RIVET 2	2	
7	J0B-K7155-20	.RIVET 1	2	
8	J0B-K7145-20	.HINGE 1	1	
9	J0B-K7146-20	.HINGE 2	1	
10	J0B-K7529-20	.SPACER, BUMPER	2	
11	J0B-K7240-20	.WIND SHIELD HARDWARE KIT 1	1	
12	J0B-K7248-00	..SCREW 1	4	
13	J0B-K7217-00	..NUT, WIND SHIELD	4	
14	J0B-K7218-00	..WASHER 1	4	
15	J0B-K7147-20	.HINGE 3	1	
16	J0B-K7148-20	.HINGE 4	1	
17	J0B-F3147-20	.O-RING	2	
18	J0B-K7247-00	.GROMMET, W/S 2	2	
19	J0B-K838A-20	.RETAINER 1	1	



J1B4400-U100

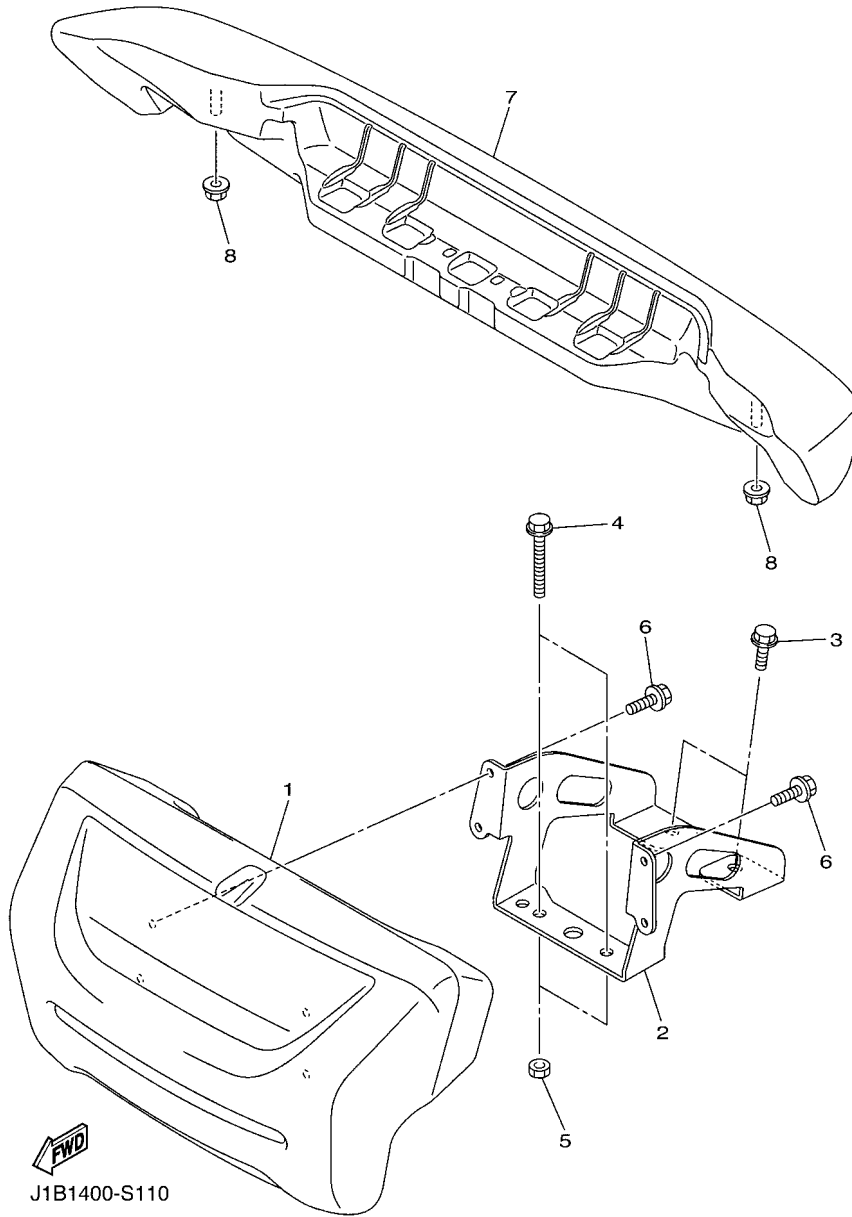


FIG. 11 BUMPER

REF. NO.	PART NO.	DESCRIPTION	J1B4	REMARKS
1	J0B-K7510-01	FRONT BUMPER COMP.	1	
2	J1B-K8164-00	STAY, FRONT BUMPER (L.H)	1	
3	95812-08016	BOLT, FLANGE	2	
4	95D32-08050	BOLT, FLANGE DEEP RECESS	2	
5	95302-08700	NUT, HEXAGON	2	
6	95822-06012	BOLT, FLANGE	4	
7	J0B-K7540-00	REAR BUMPER COMP.	1	
8	95602-10200	NUT, S/L FLANGE	2	

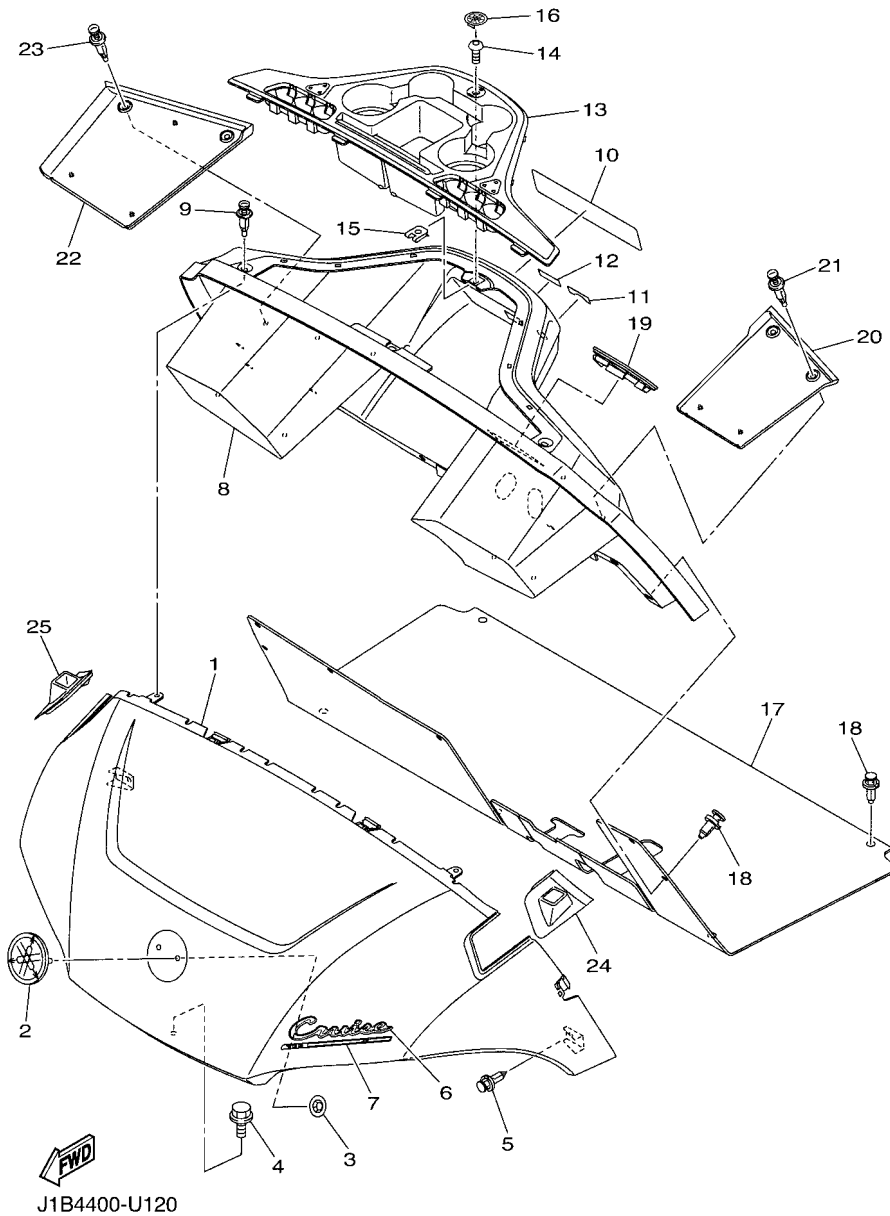
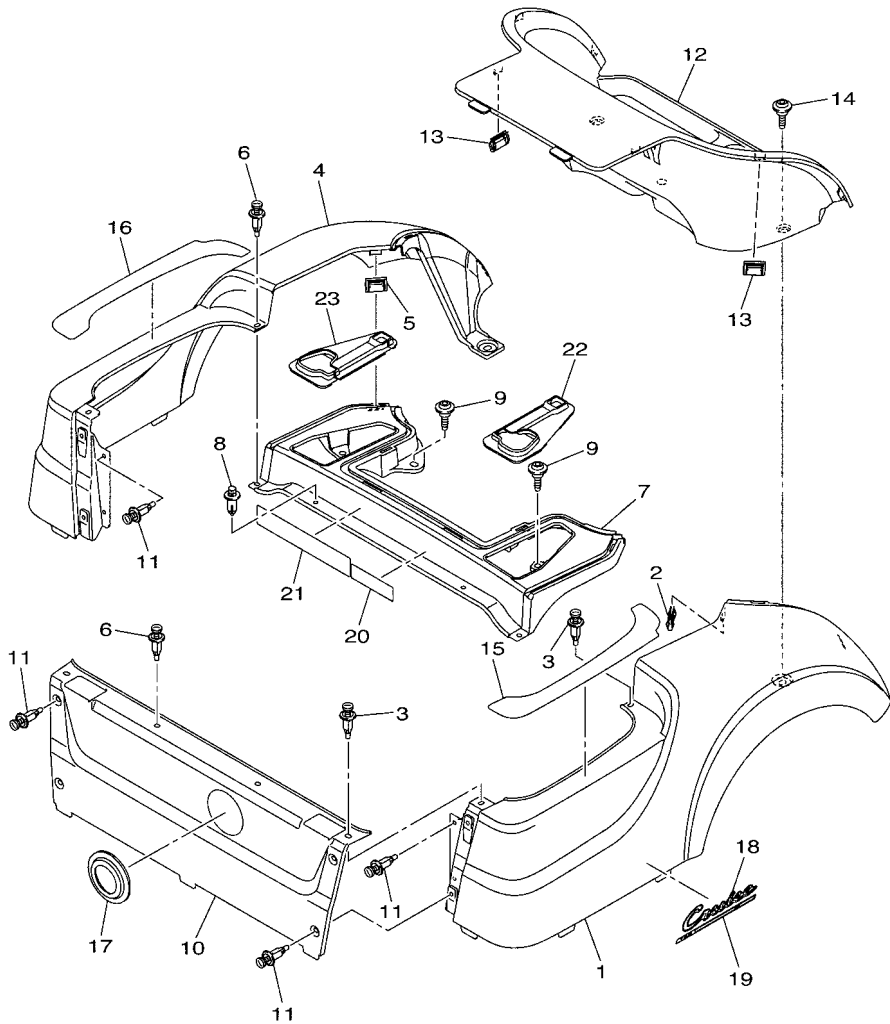


FIG. 12 BODY

REF. NO.	PART NO.	DESCRIPTION	J1B4	REMARKS
1	J0B-K8115-A0	COWL, FRONT	1	UR FOR BW1
	J1B-K8115-10	COWL, FRONT	1	UR FOR DRMK
	J1B-K8115-20	COWL, FRONT	1	UR FOR DPBMU
	J1B-K8115-30	COWL, FRONT	1	UR FOR DNGM3
	J1B-K8115-40	COWL, FRONT	1	UR FOR SM1
	J1B-K8115-50	COWL, FRONT	1	UR FOR LYNM9
2	J1B-F4161-00	EMBLEM 1	1	
3	JU0-K7573-00	NUT, SPECIAL	2	
4	95812-06012	BOLT, FLANGE	1	
5	90269-06804	RIVET	2	
6	J1A-K81A1-00	EMBLEM 1	1	
7	J1B-K81B1-00	GRAPHIC 1	1	
8	J0C-K8114-01	PANEL, FRONT	1	
9	90269-07805	RIVET	3	
10	J1B-K7768-00	LABEL, WARNING 8	1	
11	J1B-K8282-00	PLATE, SWITCH PANEL	1	
12	J1B-K7741-00	INDICATOR 1	1	
13	J0B-K835E-00	HOLDER, BEVERAGE	1	
14	90111-05805	BOLT,HEX. SOCKET BUTTON	1	
15	90183-05008	NUT, SPRING	1	
16	J1B-H2370-00	PLUG CAP ASSY	1	
17	J0B-K8233-00	MAT, MAIN FLOOR 3	1	
18	90269-09003	RIVET	12	
19	J0B-K8273-10	COVER, HOLE	1	
20	J0B-K8243-00	MAT, REAR BODY SIDE (LH)	1	
21	90269-07805	RIVET	2	
22	J0B-K8244-00	MAT, REAR BODY SIDE (RH)	1	

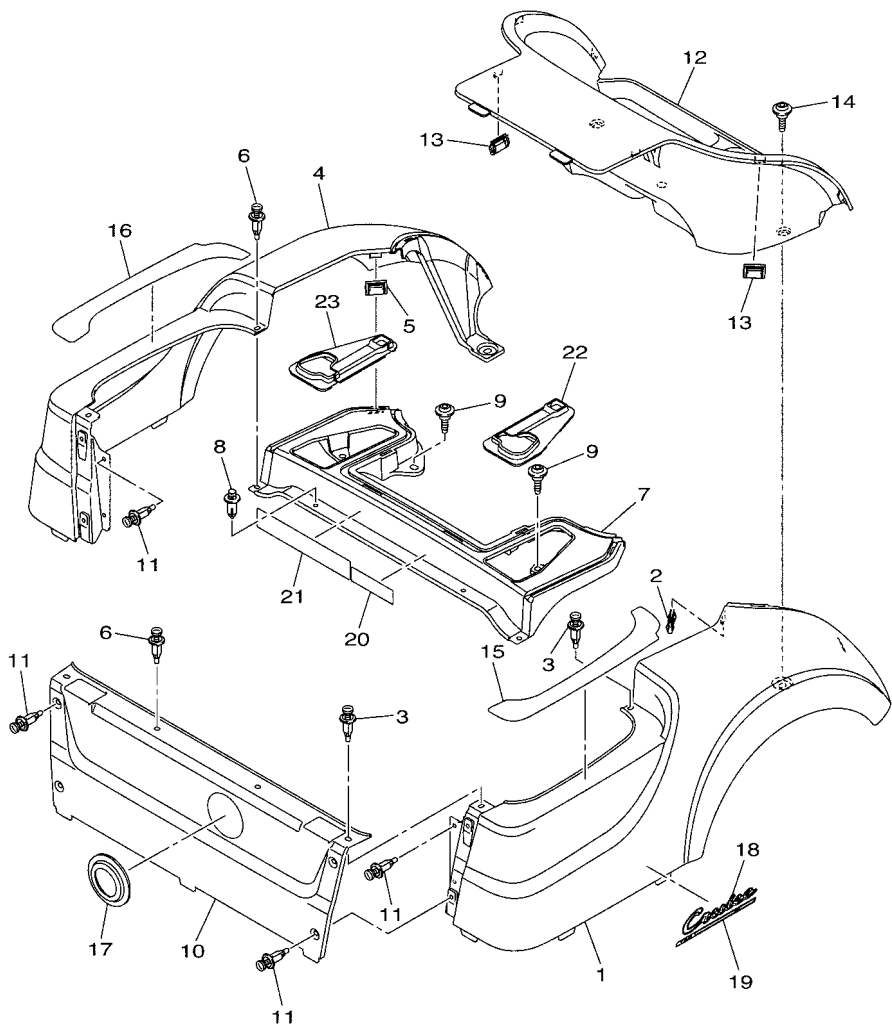


J1B1400-S130

FIG. 13 BODY 2

REF. NO.	PART NO.	DESCRIPTION	J1B4	REMARKS
1	J0B-K8111-A0	PANEL, BODY SHELL	1	UR FOR BW1
	J1B-K8111-10	PANEL, BODY SHELL	1	UR FOR DRMK
	J1B-K8111-20	PANEL, BODY SHELL	1	UR FOR DPBMU
	J1B-K8111-30	PANEL, BODY SHELL	1	UR FOR DNGM3
	J1B-K8111-40	PANEL, BODY SHELL	1	UR FOR SM1
	J1B-K8111-50	PANEL, BODY SHELL	1	UR FOR LYNM9
2	J0B-F3447-00	CLIP	1	
3	90269-07805	RIVET	3	
4	J0B-K8112-A0	PANEL, BODY SHELL	1	UR FOR BW1
	J1B-K8112-10	PANEL, BODY SHELL	1	UR FOR DRMK
	J1B-K8112-20	PANEL, BODY SHELL	1	UR FOR DPBMU
	J1B-K8112-30	PANEL, BODY SHELL	1	UR FOR DNGM3
	J1B-K8112-40	PANEL, BODY SHELL	1	UR FOR SM1
	J1B-K8112-50	PANEL, BODY SHELL	1	UR FOR LYNM9
5	J0B-F3447-00	CLIP	1	
6	90269-07805	RIVET	3	
7	J0B-K819H-00	SHELL, REAR BODY	1	
8	JW7-K7329-00	RIVET	2	
9	J0B-F1738-00	BOLT	4	
10	J1B-K8141-00	PANEL, INTERMEDIATE BODY	1	UR FOR BW1
	J1B-K8141-10	PANEL, INTERMEDIATE BODY	1	UR FOR DRMK
	J1B-K8141-20	PANEL, INTERMEDIATE BODY	1	UR FOR DPBMU
	J1B-K8141-30	PANEL, INTERMEDIATE BODY	1	UR FOR DNGM3
	J1B-K8141-40	PANEL, INTERMEDIATE BODY	1	UR FOR SM1
	J1B-K8141-50	PANEL, INTERMEDIATE BODY	1	UR FOR LYNM9
11	90269-07805	RIVET	8	
12	J0B-K8237-02	COVER, REAR FLOOR	1	FOR 2 BAGS

FIG. 13 BODY 2

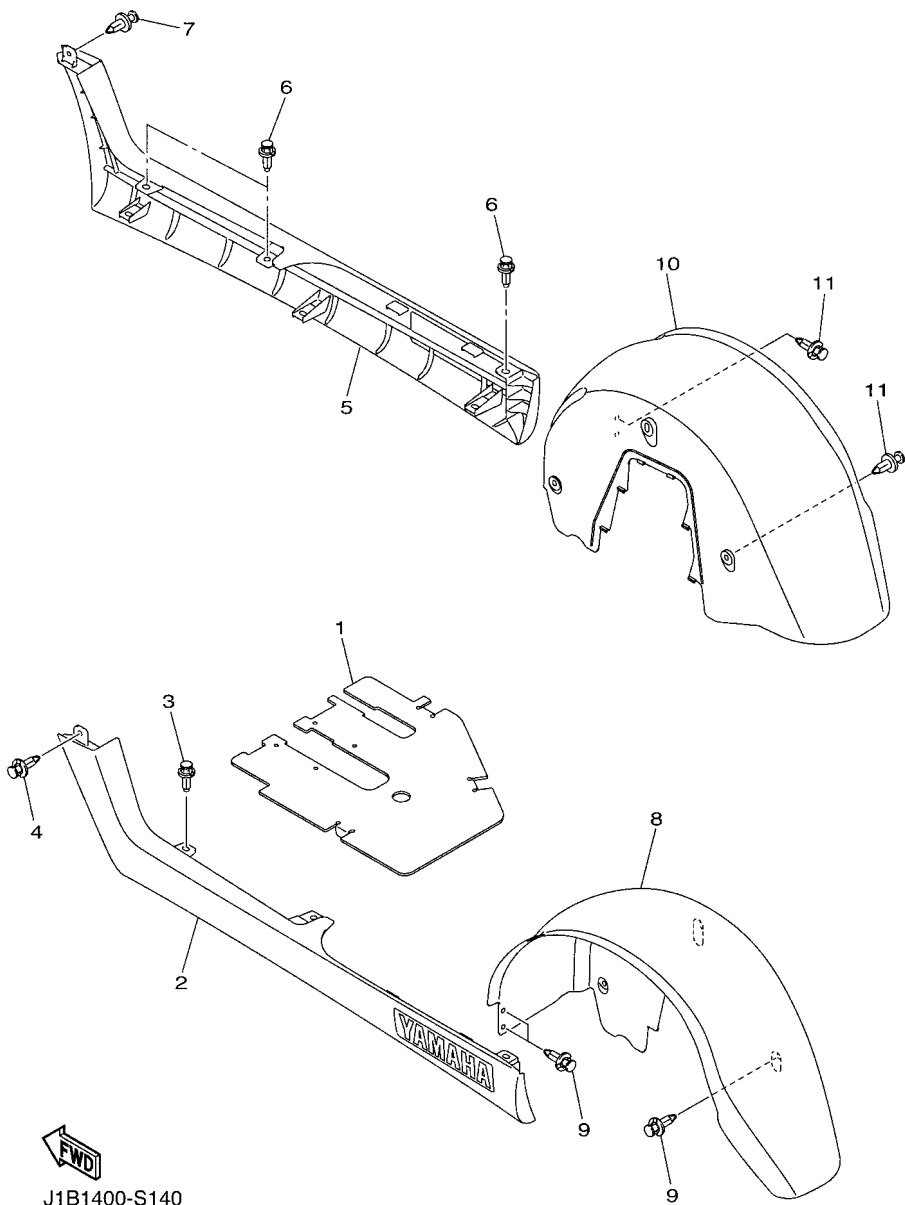


REF. NO.	PART NO.	DESCRIPTION	J1B4				REMARKS
13	J0B-F3447-00	CLIP	4				
14	J0B-F1738-00	BOLT	2				
15	J0B-F2873-01	SEAL 1	1				
16	J0B-F2874-01	SEAL 2	1				
17	J0C-K827A-00	GUIDE 1	1				
18	J1A-K81A1-00	EMBLEM 1	2				
19	J1B-K81B1-00	GRAPHIC 1	2				
20	J1A-K8298-00	PLATE, CAUTION 2	1				
21	J1A-K8297-00	PLATE, CAUTION 1	1				
22	J0B-K817H-10	TRIM, SIDE PANEL 1	1				
23	J0B-K817J-10	TRIM, SIDE PANEL 2	1				



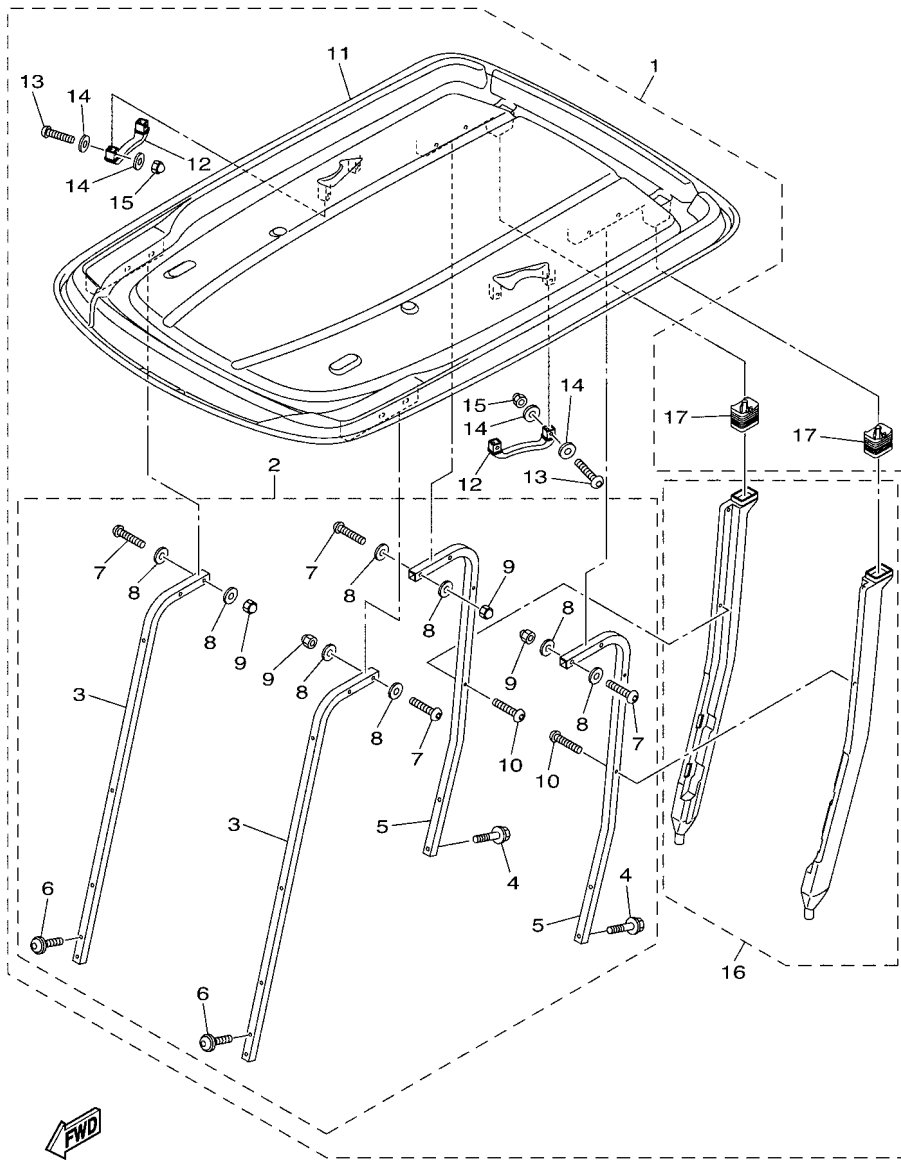
J1B1400-S130

FIG. 14 BODY FITTING



J1B1400-S140

REF. NO.	PART NO.	DESCRIPTION	J1B4				REMARKS
1	J1B-K8271-00	SERVICE LID, PEDAL	1				
2	J0B-K818A-00	PROTECTOR, SIDE PLATE	1				
3	90269-09003	RIVET	3				
4	90269-06804	RIVET	1				
5	J0B-K818B-00	PROTECTOR, SIDE PLATE 2	1				
6	90269-09003	RIVET	3				
7	90269-06804	RIVET	1				
8	J0B-K8191-00	PANEL, REAR FENDER 1	1				
9	90269-06804	RIVET	5				
10	J0B-K8192-00	PANEL, REAR FENDER 2	1				
11	90269-06804	RIVET	5				

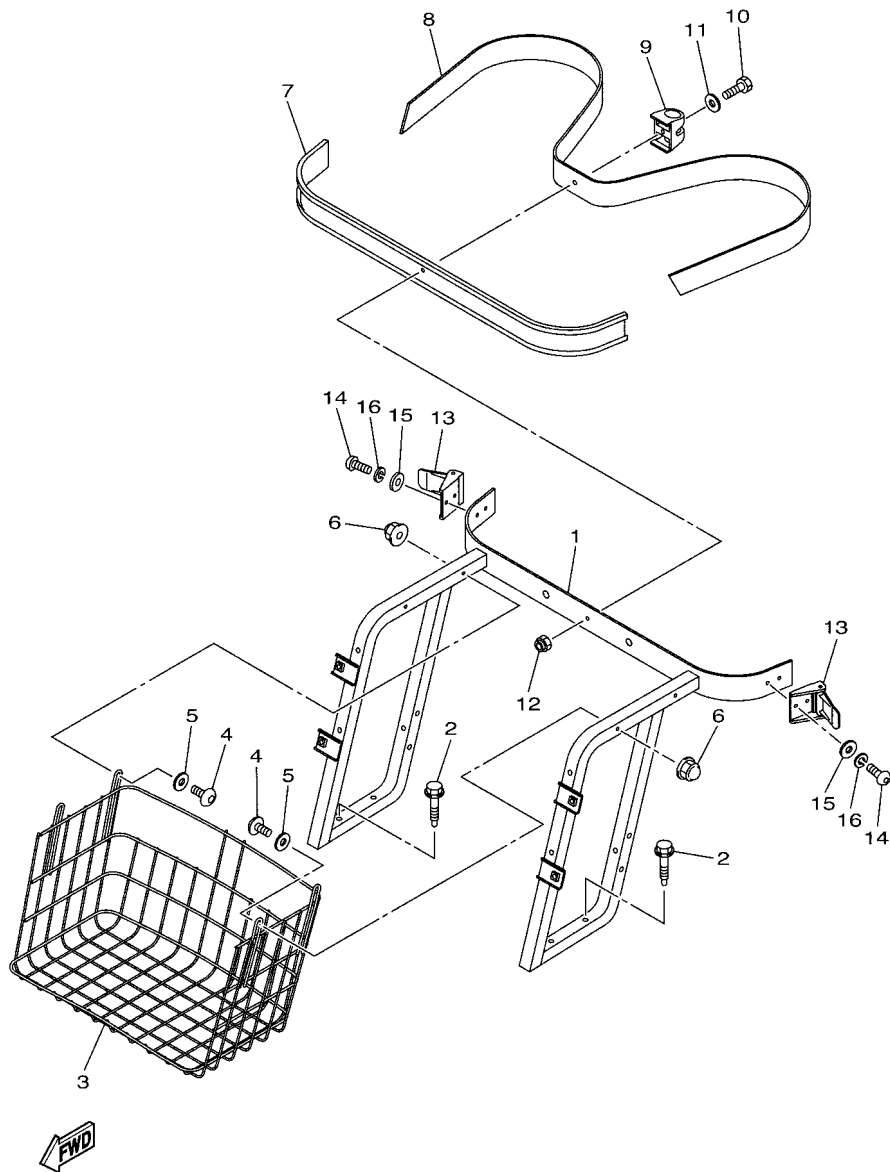


J1B1400-S151

FIG. 15 SUN ROOF

REF. NO.	PART NO.	DESCRIPTION	J1B4	REMARKS
1	J0B-K84A0-00	SUN TOP KIT	1	
2	J0B-K84A2-00	.HARDWARE KIT, SUN TOP	1	
3	J0B-K8312-00	..SUPPORT, SUN ROOF 1	2	
4	JW1-K8388-00	..BOLT, ROOF 1	4	
5	JW1-K8313-01	..SUPPORT, SUN ROOF 2	2	
6	J0B-K8388-00	..BOLT, ROOF 1	4	
7	JU0-K8388-00	..BOLT, ROOF 1	8	
8	JW1-F1549-01	..WASHER, FENDER MOLD	16	
9	JU0-K8398-00	..NUT, ROOF 1	8	
10	JW1-K7387-00	..SCREW	4	
11	JW1-K8314-10	..COVER, SUN ROOF	1	
12	JW1-K8214-00	..GRIP, HAND	2	
13	JU0-K8388-00	..BOLT, ROOF 1	4	
14	JW1-F1549-01	..WASHER, FENDER MOLD	8	
15	JU0-K8398-00	..NUT, ROOF 1	4	
16	J0B-F417A-00	..DRAIN TUBE ASSY	1	
17	JW1-F414G-10	SEAL	2	

FIG. 16 CARRIER



J1B1400-S160

REF. NO.	PART NO.	DESCRIPTION	J1B4			REMARKS
1	J1B-K8423-00	SUPPORT, SEAT BACK	1			
2	90109-08178	BOLT	4			
3	JW1-K8340-00	LUGGAGE RACK ASSY., REAR	1			
4	92017-06040	BOLT, BUTTON HEAD	4			
5	90201-06020	WASHER, PLATE	4			
6	90176-06008	NUT, CROWN	4			
7	JF2-K8356-00	PAD, BAG SUPPORT	1			
8	JN6-K8355-20	BAND	1			
9	JW1-K834G-00	HOLDER, RAKE SAND	1			
10	97080-06020	BOLT	1			
11	92990-06200	WASHER, PLAIN	1			
12	95680-06100	NUT, U	1			
13	JN6-K8380-00	LOCK ASSY	2			
14	98580-06010	SCREW, PAN HEAD	4			
15	92990-06200	WASHER, PLAIN	4			
16	92990-06100	WASHER, SPRING	4			

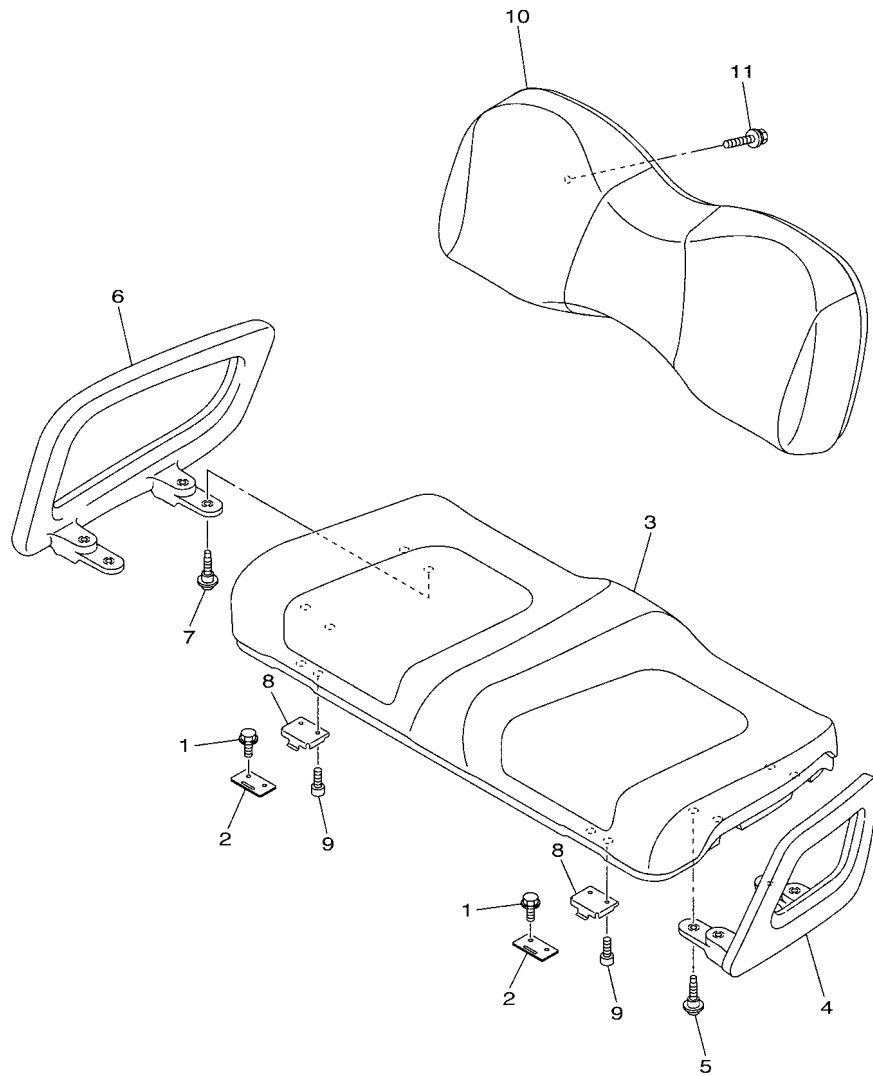


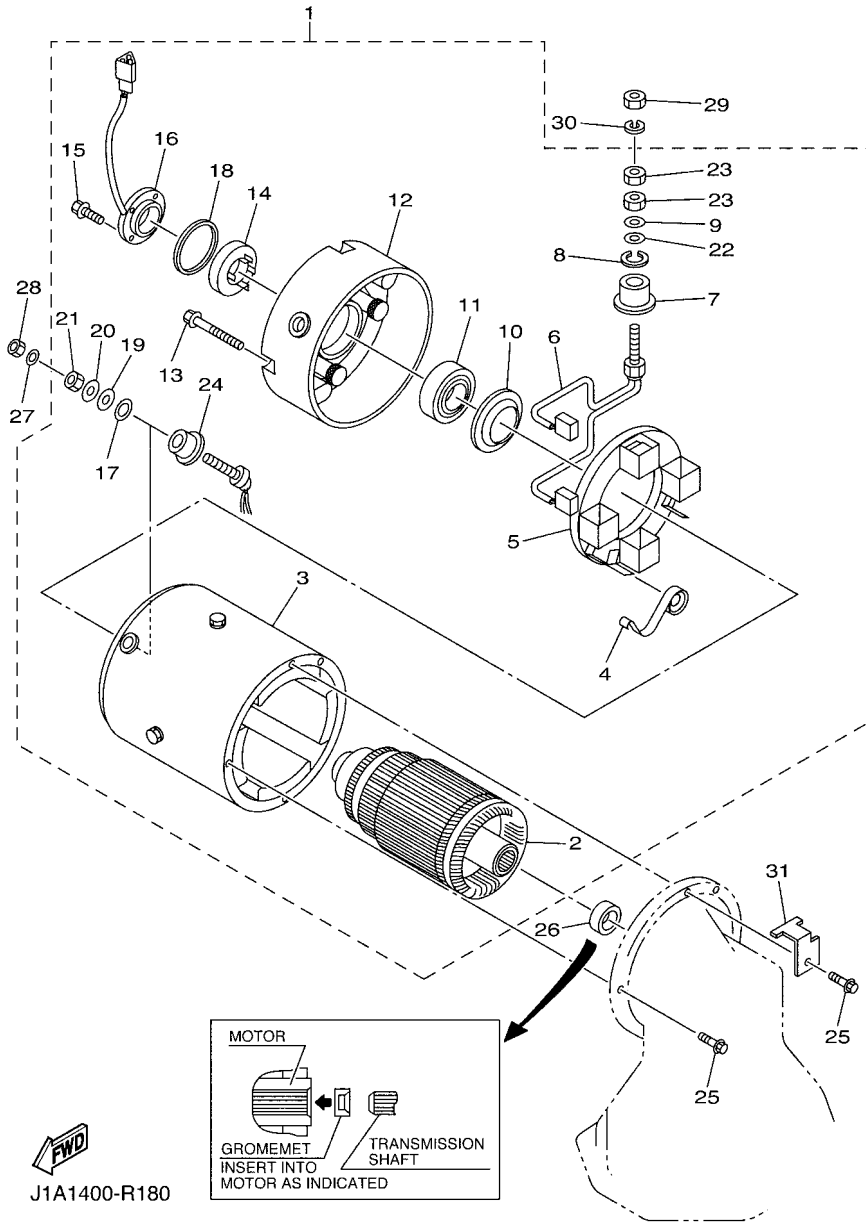
FIG. 17 SEAT

REF. NO.	PART NO.	DESCRIPTION	J1B4				REMARKS
1	95802-06040	BOLT, FLANGE	4				
2	J1A-K8427-00	HINGE, SEAT 2	2				
3	J0A-K8401-00	SEAT SUB-ASSY,CUSHION	1				
4	J0B-K8361-00	ARM REST 1	1				
5	J0B-F1738-00	BOLT	4				
6	J0B-K8362-00	ARM REST 2	1				
7	J0B-F1738-00	BOLT	4				
8	J1B-K8426-00	HINGE, SEAT 1	2				
9	90110-06125	BOLT, HEXAGON SOCKET HEAD	4				
10	JW1-K8402-10	SEAT SUB ASSY, BACK	1				
11	97580-06540	BOLT, WITH WASHER	4				



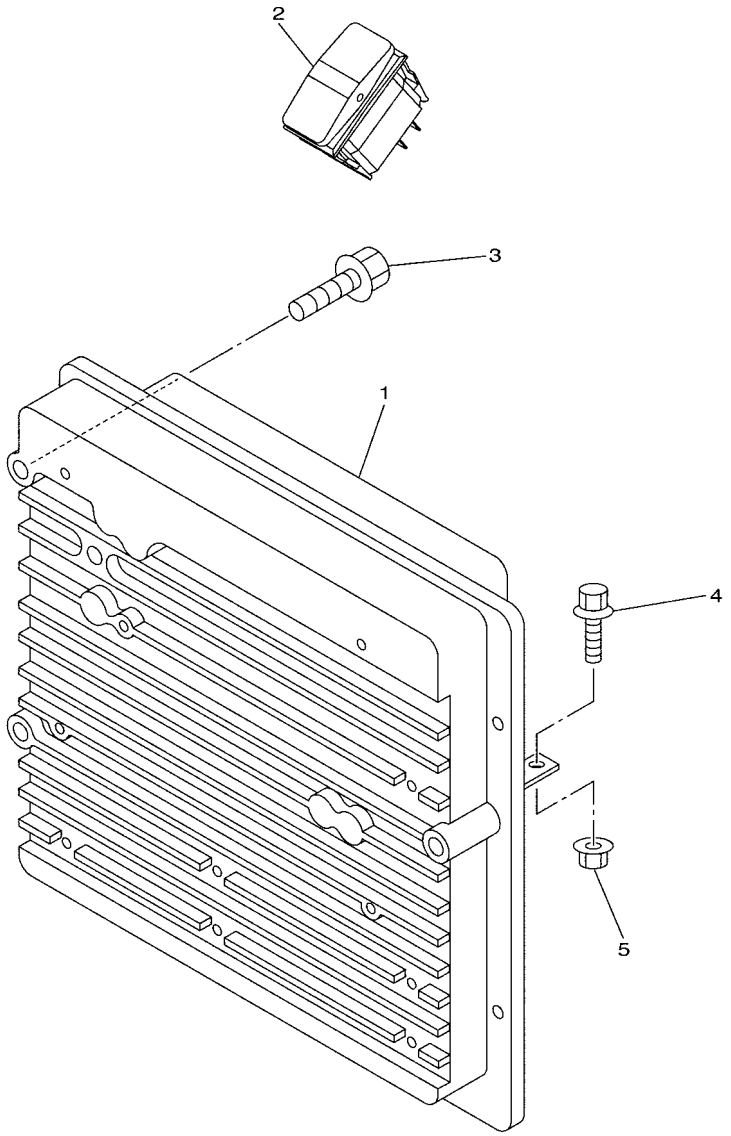
J0B1110-S290

FIG. 18 ELECTRIC MOTOR



REF. NO.	PART NO.	DESCRIPTION	J1B4	REMARKS
1	JU2-H1890-23	MOTOR ASSY	1	
2	JU2-H1850-23	.ARMATURE ASSY	1	
3	JU2-H1160-20	.FIELD COIL ASSY	1	
4	JU2-H1617-20	.SPRING, BRUSH	4	
5	JU2-H1840-20	.BRUSH HOLDER ASSY	1	
6	JU2-H1801-20	.BRUSH SET	2	
7	JU2-H182G-20	.BUSH, TERMINAL	2	
8	JU2-H1843-20	.WASHER 1	2	
9	JU2-H181L-20	.WASHER, PLAIN	2	
10	JU2-H1856-20	.RETAINER	1	
11	JU2-H185B-20	.BEARING 1	1	
12	JU2-H183J-20	.BRACKET, FRONT	1	
13	JU2-H1828-20	.BOLT 2	4	
14	JU2-H181K-20	.MAGNET	1	
15	JU2-H2113-20	.SCREW	4	
16	JU2-H1670-22	.PICK-UP ASSY	1	
17	JU2-H272L-20	.INSULATOR, 1	2	
18	JU2-H5722-20	.INSULATOR	1	
19	JU2-H2517-20	.WASHER, SPECIAL	2	
20	JU2-H332D-20	.WASHER, SPECIAL 2	2	
21	JU2-H191B-20	.NUT	4	
22	JU2-H1824-20	.WASHER 2	2	
23	JU2-H182K-20	.NUT	4	
24	JU2-H182H-20	.BUSH, TERMINAL 2	2	
25	95812-06025	BOLT, FLANGE	3	
26	J1A-H1829-00	GROMMET	1	
27	JU2-H185A-20	WASHER, PLATE	2	

FIG. 19 CONTROLLER 1



JW23110-J150

REF. NO.	PART NO.	DESCRIPTION	J1B4				REMARKS
1	J1A-86510-01	MOTOR CONTROL UNIT ASSY	1				
2	JW2-H2727-00	SWITCH	1				
3	95802-06040	BOLT, FLANGE	3				
4	95822-06016	BOLT, FLANGE	3				
5	95602-06200	NUT, SELF-LOCKING	3				

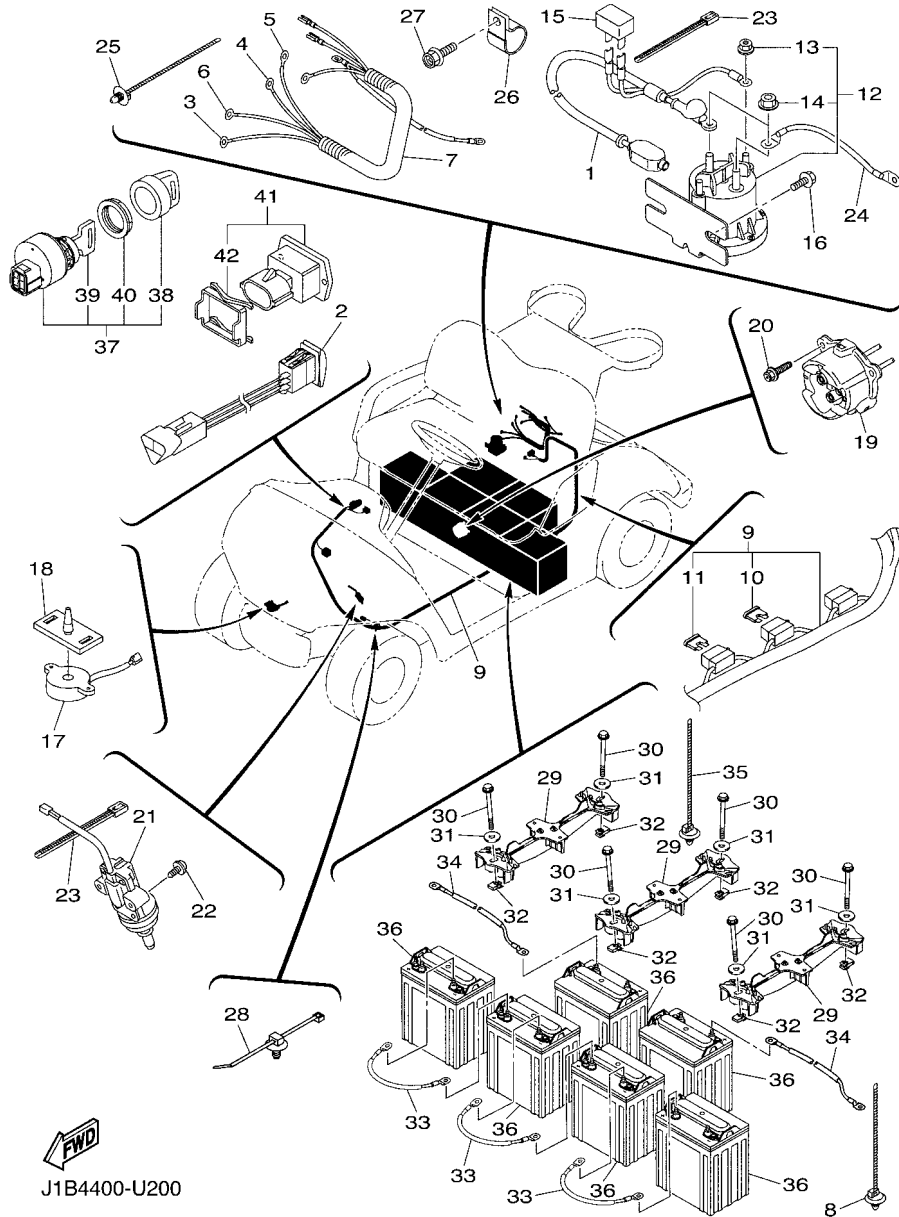


FIG. 20 ELECTRICAL 1

REF. NO.	PART NO.	DESCRIPTION	J1B4	REMARKS
1	J1A-H2115-01	WIRE, PLUS LEAD	1	
2	JU2-H2917-00	SWITCH	1	
3	JU2-H2521-20	WIRE, LEAD	1	
4	JU2-H2531-20	WIRE, LEAD	1	
5	JU2-H6171-20	WIRE, LEAD 1	1	
6	JW9-H6172-00	WIRE, LEAD 2	1	
7	JU2-H7196-20	TUBE 1	1	
8	90464-20005	CLAMP	2	
9	J1B-H2590-00	WIRE HARNESS ASSY	1	
10	J0C-H2151-00	.FUSE (5A)	1	
11	JR1-H2151-00	.FUSE (3A)	1	
12	JW9-H1950-20	RELAY ASSY	1	
13	90179-05807	.NUT	2	
14	90179-08824	.NUT	2	
15	JW9-85371-00	RESISTOR COMP.	1	
16	95822-06012	BOLT, FLANGE	2	
17	JR1-H3383-02	BUZZER	1	
18	JN6-H3386-01	STAY, BUZZER	1	
19	J1A-86181-00	RECEPTACLE	1	
20	97502-05516	BOLT, WITH WASHER	3	
21	JF7-82817-22	SWITCH	1	
22	97602-05225	SCREW, PAN HEAD WITH WASHER	2	
23	90464-32804	CLAMP	4	
24	JW2-H6527-00	WIRE 7	1	
25	90464-20005	CLAMP	5	
26	90461-14108	CLAMP	1	
27	95822-08016	BOLT, FLANGE	1	

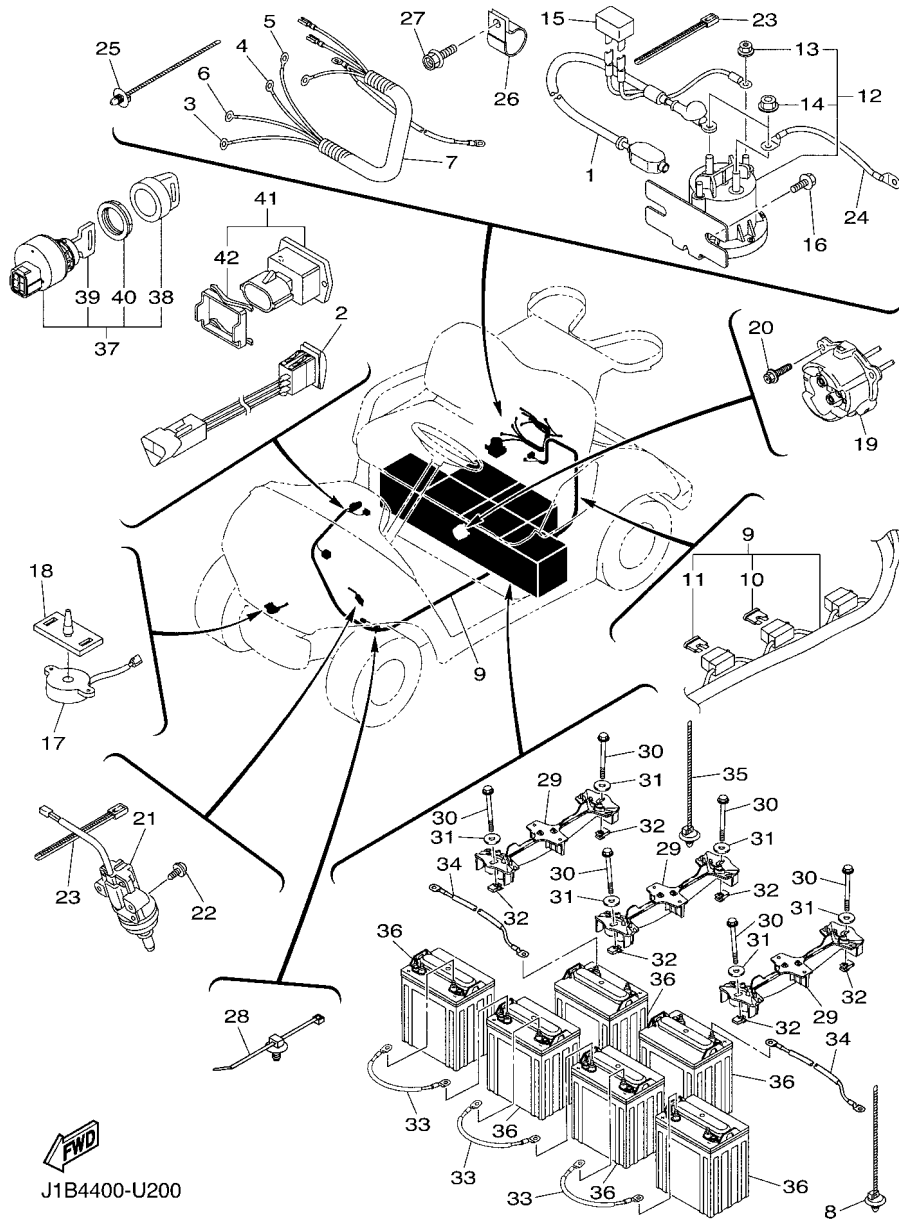


FIG. 20 ELECTRICAL 1

REF. NO.	PART NO.	DESCRIPTION	J1B4	REMARKS
28	1NS-F1338-00	CLAMP	1	
29	JW9-H2136-00	PLATE, BATTERY FITTING	3	AP
30	JW9-H1892-00	BOLT, SPECIAL	6	AP
31	90201-08310	WASHER, PLATE	6	AP
32	JW9-K811K-00	NUT, TRIM FITTING	6	AP
33	JW9-H2127-00	WIRE, LEAD 2	3	AP
34	JW9-H2149-00	WIRE, LEAD 3	2	AP
35	90464-20005	CLAMP	2	AP
36	*	BATTERY ASSY (8V, GC8)	6	LM AP
37	JW1-H2510-00	MAIN SWITCH ASSY	1	
38	5UG-H2579-00	.CAP, KEY	1	
39	JU2-H2511-00	.KEY, MAIN SWITCH	2	
40	JU6-H2569-00	.NUT, MAIN SWITCH	1	
41	JW2-H351B-00	GAUGE, BATTERY	1	
42	JW1-H1128-00	.CLAMP	1	

NUMERICAL INDEX

PART NO.	REF. NO.	PART NO.	REF. NO.	PART NO.	REF. NO.	PART NO.	REF. NO.	PART NO.	REF. NO.	PART NO.	REF. NO.
JX4-22123-00	1 - 2	J1A-F252M-00	2 - 9	JW8-F639N-00	6 - 9	JW8-G2541-00	8 - 39	JW2-H2107-13	21 - 1	JW7-K7329-00	13 - 8
J1A-23400-01	4 - 10	J1A-F2535-01	2 - 11	JW8-F7113-00	6 - 11	JW8-G2756-00	8 - 36	JU2-H2113-20	18 - 15	JW1-K7387-00	15 - 10
2NL-23448-00	3 - 9	J1B-F255G-00	2 - 2	JW8-F7117-00	6 - 6	JH7-G3396-01	8 - 9	J1A-H2115-01	20 - 1	JOB-K7510-01	11 - 1
J1A-23489-00	4 - 20	J1B-F258E-00	2 - 6	JW8-F7118-00	6 - 41	JW8-G4178-00	8 - 32	JW9-H2127-00	20 - 33	JOB-K7529-20	10 - 10
2NL-23517-00	3 - 11	J0B-F2873-01	13 - 15	JW8-F7119-00	6 - 28	JW8-G5244-00	8 - 33	JW9-H2136-00	20 - 29	JOB-K7540-00	11 - 7
2HR-23526-00	3 - 3	J0B-F2874-01	13 - 16	JW8-F7121-00	6 - 13	JW8-G5378-00	8 - 22	JW9-H2149-00	20 - 34	JU0-K7573-00	12 - 3
J1A-23527-00	4 - 21	J0B-F3147-20	10 - 17	JW9-F7200-21	6 - 2	JW9-G6136-00	8 - 8	J0C-H2151-00	20 - 10	J1B-K7741-00	12 - 12
JX4-23812-01	4 - 13	JW8-F3183-00	6 - 16	JW8-F7213-20	6 - 34	J0C-G6300-01	7 - 1	JR1-H2151-00	20 - 11	JW8-K7762-00	4 - 37
J1A-23822-00	4 - 29	J0C-F3350-00	3 - 14	JW8-F7217-00	6 - 32			J1A-H218E-00	18 - 31	J1B-K7768-00	12 - 10
J1A-23837-00	4 - 22	J0C-F3390-00	3 - 19	JW8-F7218-00	6 - 10	JW9-G6312-00	8 - 19	JR1-H235A-00	21 - 2	J1B-K8111-10	13 - 1
JR7-23844-00	4 - 19	J0B-F3447-00	13 - 2	JW9-F7221-00	6 - 14	JW9-G631A-00	8 - 18	J1B-H2370-00	12 - 16	J1B-K8111-20	13 - 1
JX4-2384N-00	4 - 12			JW9-F7228-00	6 - 23	JW9-G6321-00	8 - 3	JW1-H2510-00	20 - 37	J1B-K8111-30	13 - 1
JR7-23866-00	4 - 24			JW9-F7231-10	6 - 18	JW9-G6350-00	8 - 11	JU2-H2511-00	20 - 39	J1B-K8111-40	13 - 1
J1A-2387A-00	4 - 11	JU0-F3511-10	3 - 4	JW9-F7232-00	6 - 19	JW9-G6410-00	8 - 15	JU2-H2517-20	18 - 19	J1B-K8111-50	13 - 1
J1A-2387E-00	4 - 14	JW1-F3512-00	3 - 5	JW9-F7245-10	6 - 30	JW9-G6421-00	8 - 13	JU2-H2521-20	20 - 3	JOB-K8111-A0	13 - 1
JR7-2387F-00	4 - 17	JU0-F3521-10	3 - 12	JW9-F7246-20	6 - 46	JN3-G6432-00	8 - 20	JU2-H2531-20	20 - 4	J1B-K8112-10	13 - 4
JR7-2387G-00	4 - 15	JU0-F3570-20	3 - 1	JW9-F7263-00	6 - 49	JR1-G6511-00	8 - 25	JU6-H2569-00	20 - 40	J1B-K8112-20	13 - 4
JR7-2387J-00	4 - 18	J1A-F3811-00	4 - 1	JW8-F7280-10	7 - 13	JR1-G6512-00	8 - 26	5UG-H2579-00	20 - 38	J1B-K8112-30	13 - 4
JR7-2387K-00	4 - 16	J1A-F3828-00	4 - 4	JW8-F7281-00	7 - 5	JW8-G6514-00	8 - 31	J1B-H2590-00	20 - 9	J1B-K8112-40	13 - 4
JR7-23894-00	4 - 25	1P0-F3833-00	4 - 26			JW8-G6521-00	8 - 37	JW2-H2727-00	19 - 2	J1B-K8112-50	13 - 4
JR7-2467K-00	4 - 23	JN3-F3838-00	4 - 6	JW8-F7286-00	7 - 10	JW1-H1128-00	20 - 42	JU2-H272L-20	18 - 17	JOB-K8112-A0	13 - 4
J38-27204-00	7 - 15	J1A-F3841-00	4 - 27			JU2-H1160-20	18 - 3	JU2-H2917-00	20 - 2	J0C-K8114-01	12 - 8
J38-27205-00	7 - 4	JU0-F3857-11	4 - 3	JW8-F7290-10	7 - 2	JU2-H1617-20	18 - 4	JU2-H332D-20	18 - 20	J1B-K8115-10	12 - 1
J55-27260-00	7 - 9			JW8-F7316-01	6 - 31	JU2-H1670-22	18 - 16	JR1-H3383-02	20 - 17	J1B-K8115-20	12 - 1
J55-27270-00	7 - 20	JW1-F414G-10	15 - 17	JW8-F7317-00	6 - 40	JU2-H1801-20	18 - 6	JN6-H3386-01	20 - 18	J1B-K8115-30	12 - 1
J10-27282-00	7 - 6	J1B-F4161-00	12 - 2	JW8-F7318-00	6 - 20	JU2-H181K-20	18 - 14	JW2-H351B-00	20 - 41	J1B-K8115-40	12 - 1
		J0B-F417A-00	15 - 16	JW8-F7322-00	6 - 15	JU2-H181L-20	18 - 9	JU2-H5722-20	18 - 18	J1B-K8115-50	12 - 1
JF7-82817-22	20 - 21	JW8-F41B8-00	6 - 51	J0E-F7411-01	2 - 4	JU2-H1824-20	18 - 22	JW9-H5885-00	6 - 52	JOB-K8115-A0	12 - 1
JW9-85371-00	20 - 15	JW8-F4486-00	6 - 44	JW8-F7416-00	6 - 8	JU2-H1828-20	18 - 13	JU2-H6171-20	20 - 5	JW9-K811K-00	20 - 32
J1A-86181-00	20 - 19			JW8-F7426-01	6 - 17	J1A-H1829-00	18 - 26	JW9-H6172-00	20 - 6	J1B-K8141-00	13 - 10
J1A-86510-01	19 - 1	JW9-F4648-20	6 - 50	JW8-F7434-00	6 - 39	JU2-H182A-20	18 - 28	JW2-H6527-00	20 - 24	J1B-K8141-10	13 - 10
J0B-F125J-00	2 - 17	J1B-F5100-00	9 - 1	JW8-F7435-00	6 - 56	JU2-H182G-20	18 - 7	JU2-H7196-20	20 - 7	J1B-K8141-20	13 - 10
1NS-F1338-00	20 - 28	JC1-F5103-00	3 - 21	JW8-F7438-00	6 - 38	JU2-H182H-20	18 - 24	J0B-K7145-20	10 - 8	J1B-K8141-30	13 - 10
JW1-F1549-01	15 - 8	JW8-F5118-00	8 - 38	JW9-F7445-31	6 - 33	JU2-H182K-20	18 - 23	J0B-K7146-20	10 - 9	J1B-K8141-40	13 - 10
		JN6-F5118-01	3 - 29	JW8-F7814-21	6 - 3	JU2-H1835-20	18 - 30	J0B-K7147-20	10 - 15	J1B-K8141-50	13 - 10
J0B-F1738-00	2 - 5	JW8-F5415-00	6 - 25			JU2-H183J-20	18 - 12	J0B-K7148-20	10 - 16	J1B-K8164-00	11 - 2
		JW9-F5666-00	6 - 12	JW8-F7825-01	6 - 27	JU2-H1840-20	18 - 5	J0B-K7155-20	10 - 7	J1B-K816M-00	2 - 15
		JW9-F5671-00	6 - 5	JW9-F7850-32	6 - 1	JU2-H1843-20	18 - 8	J0G-K7155-C0	10 - 5	JOB-K817H-10	13 - 22
		JW9-F5672-00	6 - 4	JW9-F7853-00	6 - 35	JU2-H1850-23	18 - 2	J0G-K7156-C0	10 - 6	JOB-K817J-10	13 - 23
		JW9-F5673-00	6 - 45	JW9-F7871-10	6 - 36	JU2-H1856-20	18 - 10	J0B-K7173-21	10 - 2	JOB-K818A-00	14 - 2
J1B-F2110-00	1 - 1	JW8-F5681-10	5 - 5	JW9-F7872-20	6 - 37	JU2-H185A-20	18 - 27	J0B-K7200-24	10 - 1	JOB-K818B-00	14 - 5
JN6-F2124-10	1 - 6	JN6-F5685-01	5 - 6	J0G-F815H-00	6 - 42	JU2-H185B-20	18 - 11	J0B-K7217-00	10 - 13	JOB-K8191-00	14 - 8
J1B-F2127-00	2 - 8	JW9-F5827-00	6 - 53	JW8-F8319-00	6 - 29	JU2-H1872-20	18 - 29	J0B-K7218-00	10 - 14	JOB-K8192-00	14 - 10
J1A-F2128-00	3 - 16	JW9-F5827-10	6 - 53	JW8-F8323-00	6 - 24	JU2-H1890-23	18 - 1	J0B-K7237-00	10 - 3	JOB-K819H-00	13 - 7
J1A-F217G-00	1 - 10	JW8-F6314-00	6 - 21	JW9-F8331-00	6 - 47	JW9-H1892-00	20 - 30	J0B-K7240-20	10 - 11	J1A-K81A1-00	12 - 6
JW6-F2210-01	1 - 12	JW9-F632G-00	6 - 54	JW8-F8363-00	6 - 7	JU2-H191B-20	18 - 21	J0B-K7247-00	10 - 18		
JW9-F2417-00	2 - 13	J1A-F6351-00	5 - 1	JW8-G2535-00	8 - 34	JW9-H1950-20	20 - 12	J0B-K7248-00	10 - 12	J1B-K81B1-00	12 - 7
J1B-F2501-00	2 - 1	JW8-F639L-00	6 - 22	JW8-G2536-00	8 - 35	J1A-H1962-00	21 - 3	J0B-K7257-20	10 - 4		

NUMERICAL INDEX

PART NO.	REF. NO.	PART NO.	REF. NO.	PART NO.	REF. NO.	PART NO.	REF. NO.	PART NO.	REF. NO.	PART NO.	REF. NO.
JW1-K8214-00	15 - 12	90105-10267	3 - 20	90461-14108	20 - 26	95802-06040	17 - 1				
J1B-K821A-00	2 - 14	90105-10373	3 - 6	90464-20005	20 - 8		19 - 3				
J0B-K8233-00	12 - 17	90105-10840	8 - 2		20 - 25	95812-06012	12 - 4				
J0B-K8237-02	13 - 12	90105-12031	1 - 3		20 - 35	95812-06025	18 - 25				
J0B-K8243-00	12 - 20	90109-08178	16 - 2	90464-24230	5 - 4	95812-08016	11 - 3				
J0B-K8244-00	12 - 22	90110-06125	17 - 9	90464-32804	20 - 23	95812-08020	4 - 2				
J1B-K8271-00	14 - 1	90111-05805	12 - 14	90464-70803	2 - 18		6 - 57				
J0B-K8273-10	12 - 19	90114-12004	3 - 22	90468-20196	5 - 3	95812-08040	2 - 3				
J0C-K827A-00	13 - 17	90170-08841	8 - 24	90502-10013	4 - 35	95812-10016	1 - 5				
J1B-K8282-00	12 - 11	90170-10840	8 - 17	90506-14001	7 - 8	95812-10040	4 - 28				
J1A-K8297-00	13 - 21	90176-06008	16 - 6		7 - 19	95812-10055	1 - 13				
J1A-K8298-00	13 - 20	90179-05807	20 - 13	90506-20281	7 - 7	95812-12065	1 - 7				
J0B-K8312-00	15 - 3	90179-08261	5 - 7		7 - 18	95812-12080	3 - 17				
JW1-K8313-01	15 - 5	90179-08824	20 - 14	91490-25015	5 - 12	95822-06012	11 - 6				
JW1-K8314-10	15 - 11	90179-12262	9 - 3	91490-30030	8 - 27		20 - 16				
J1B-K832F-00	12 - 24	90183-05008	12 - 15	91702-08018	5 - 11	95822-06016	2 - 10				
J1B-K832G-00	12 - 25	90185-12008	4 - 7	91702-10026	5 - 2		19 - 4				
JW1-K834A-00	16 - 3	90201-044H9	4 - 34	92017-06040	16 - 4	95822-08016	2 - 7				
JW1-K834G-00	16 - 9	90201-05824	6 - 55	92902-12200	4 - 8		2 - 12				
JN6-K8355-20	16 - 8	90201-06020	16 - 5	92990-06100	16 - 16		20 - 27				
JF2-K8356-00	16 - 7	90201-08310	20 - 31	92990-06200	16 - 11	95D32-08030	2 - 16				
JW8-K8357-00	4 - 31	90201-121H8	7 - 12		16 - 15	95D32-08050	11 - 4				
JN6-K8358-01	4 - 32		7 - 23	93101-24822	8 - 28	97080-06020	16 - 10				
J0B-K835E-00	12 - 13	90201-121H9	7 - 11	93102-30803	3 - 26	97502-05516	20 - 20				
J0B-K8361-00	17 - 4		7 - 22	93210-148B9	8 - 12	97512-08530	4 - 30				
J0B-K8362-00	17 - 6	90201-12426	1 - 9	93210-478E8	8 - 5	97512-10620	1 - 11				
JN6-K8380-00	16 - 13	90209-32271	3 - 27	93306-00440	8 - 30	97580-06540	17 - 11				
J0B-K8388-00	15 - 6	90249-14129	5 - 9	93306-005Y1	8 - 6	97602-05225	20 - 22				
JU0-K8388-00	15 - 7	90269-06804	12 - 5	93306-005Y3	3 - 24	97702-40525	4 - 33				
	15 - 13		14 - 4	93306-007Y0	8 - 14	98580-06010	16 - 14				
JW1-K8388-00	15 - 4		14 - 7	93306-203X1	8 - 7	99002-09600	5 - 10				
J0B-K838A-20	10 - 19		14 - 9	93306-20437	3 - 23						
JU0-K8398-00	15 - 9		14 - 11	93306-303Y6	8 - 10						
	15 - 15	90269-07805	12 - 9	93420-44805	8 - 29						
J0A-K8401-00	17 - 3		12 - 21	93420-50804	8 - 4						
JW1-K8402-10	17 - 10		12 - 23	93900-00825	9 - 2						
J1B-K8423-00	16 - 1		13 - 3	95302-08700	11 - 5						
J1B-K8426-00	17 - 8		13 - 6	95307-08700	5 - 8						
J1A-K8427-00	17 - 2		13 - 11	95602-06200	19 - 5						
J0B-K84A0-00	15 - 1	90269-09003	12 - 18	95602-10200	1 - 14						
J0B-K84A2-00	15 - 2		14 - 3		3 - 7						
JN9-W2536-11	7 - 3		14 - 6		11 - 8						
	7 - 14	90381-17800	3 - 10	95602-12200	1 - 4						
90101-08855	8 - 23	90381-18001	3 - 2		1 - 8						
90101-08856	8 - 21	90386-12800	6 - 26		4 - 9						
90101-10854	8 - 16	90387-046N7	4 - 36	95602-14100	3 - 28						
90105-10219	3 - 8	90387-12016	3 - 15	95612-12100	3 - 18						
90105-10267	3 - 13	90387-241M7	3 - 25	95680-06100	16 - 12						