



PARTS CATALOGUE

DR2A18 (J0A2) CANADA, EUROPE, OTHERS



NEWS No.	DATE	COMMENT
PE0-GC-190002	May.23.2019	MOD: FIG.22/23 TRANSAXLE LIST REVISION

1TJ0A-100E1

()

2019/05/23

DR2A18
PARTS CATALOGUE
©2017 by Yamaha Motor Co., Ltd.
1st edition, June 2017
All rights reserved.
Any reprinting or unauthorized use
without the written permission of
Yamaha Motor Co., Ltd.
is expressly prohibited.
Printed in Japan.

FOREWORD

This Parts Catalogue is related to the parts for the model(s) on the cover page. When you are ordering replacement parts, please refer to this Parts Catalogue and quote both part numbers and part names correctly.

1. Modifications or additions which have been made after the issue of the Parts Catalogue will be announced in the Parts News.
It is advisable that you make the necessary corrections to the Parts Catalogue according to the Parts News.
2. Abbreviations
The following abbreviations are used in this Parts Catalogue.
“UR” Use specified parts number.
“UN” Use as many as needed.
“AP” Alternate Parts
“LM” Locally Made (Parts need to be ordered locally)
“F#” Frame No. (Applicable machine No.)
“O/S” Over Size
3. The number of components for assembly
 - Parts, which are to be supplied in an assembly, are listed with a dot (.) in front of the part name as shown below.
 - The numeral appearing to the right of each component part indicates the quantity of parts for each assembly unit.

PART NO.	DESCRIPTION	Q'TY	REMARKS
2F5-83310-60	FRONT FLASHER LIGHT ASSY	2	
115-83311-60	.BULB (6V-18W)	1	

4. Applicable colours of graphics are represented in the “REMARKS” as shown below.

PART NO.	DESCRIPTION	Q'TY	REMARKS
2N4-24110-00-X5	FUEL TANK COMP.	2	MXR
3J1-24240-10	.GRAPHIC, FUEL TANK	1	FOR MXR

5. Note that the illustrations for reference in finding parts numbers are not to be used for assembling. When assembling, please use the applicable service manual.

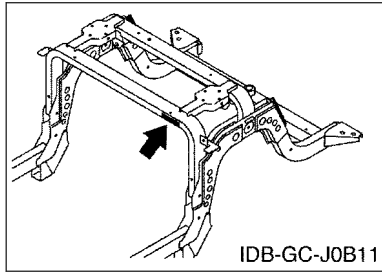
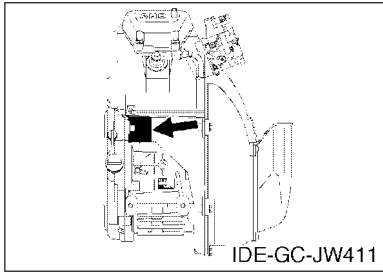
6. The asterisk (*) before a reference number indicates modified items after the first edition.

FOREWORD

7. Applicable Serial No.

Engine Serial No.

Frame Serial No.



8. Applicable Colour Code (The (*) mark shows Model colour.)

Abbreviation	Colour Name	Colour Code
BW1(*)	BLUISH WHITE 1	1571
DNBME(*)	DARK GRAYISH BLUE METALLIC E	0866
DNMC(*)	DARK GRAY METALLIC C	0922
DYNM2(*)	DARK YELLOWISH GRAY METALLIC 2	1509
HTR(*)	HEAT RED	00EY
LNMP(*)	LIGHT GRAY METALLIC P	0925
LN YM8(*)	LIGHT GRAYISH YELLOW ME 8	1047
NYS4(*)	GRAYISH YELLOW SOLID 4	1459
VDGS1(*)	VERY DARK GREEN SOLID 1	0614

9. Quantity Column Information

Column No.	Name Of Q'ty Column	Destination
1	J0A2	CANADA, EUROPE, OTHERS

10. Applicable Starting Serial No.

Frame Serial No.

Serial No.	Name Of Q'ty Column	Model Code
J0A-100101	J0A2	J0A2

CONTENTS

ENGINE 1.....	1
---------------	---

ENGINE

CYLINDER HEAD.....	2
CRANKSHAFT & PISTON.....	3
CAMSHAFT & VALVE.....	4
AIR SHROUD & FAN.....	5
INTAKE.....	6
CARBURETOR.....	7
EXHAUST.....	8
CRANKCASE.....	9

BODY

ENGINE BRACKET.....	10
REAR ARM & SUSPENSION.....	11
FRAME.....	12
FRONT SUSPENSION.....	13
STEERING.....	15
FUEL TANK 1.....	17
FUEL TANK 2.....	18
PEDAL WIRE.....	19
PEDAL ASSEMBLY.....	20
BRAKE.....	23
GOVERNOR.....	24

DRIVE

PRIMARY SHEAVE.....	25
SECONDARY SHEAVE.....	26
TRANSAXLE.....	27
SHIFTER & CABLES.....	30
WHEEL.....	31
BUMPER.....	32
BODY.....	33
BODY 2.....	35
BODY FITTING.....	37
CARRIER.....	38
SEAT.....	39

ELECTRICAL

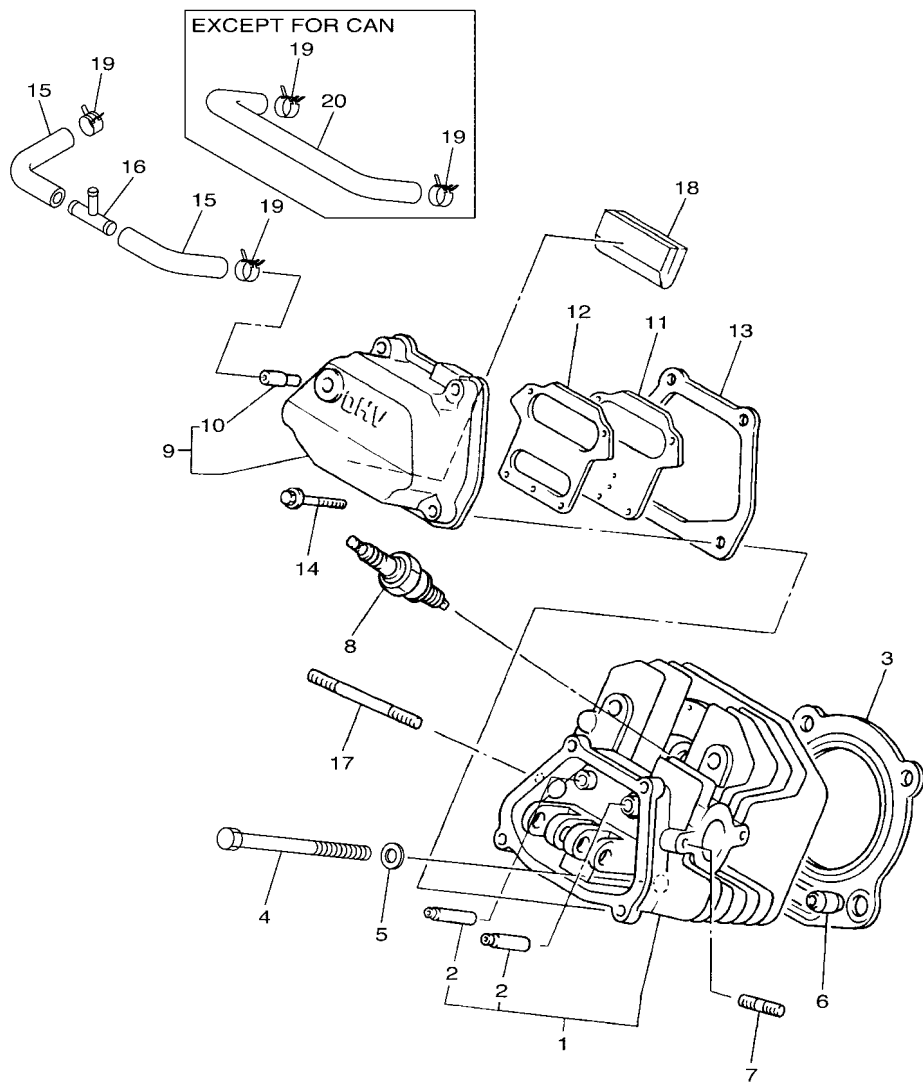
STARTING MOTOR.....	40
---------------------	----

ELECTRICAL 1.....	42
ELECTRICAL 2.....	43
ALTERNATE FOR CHASSIS.....	45
ALTERNATE FOR WINDSHIELD.....	46
ALTERNATE FOR SUN ROOF.....	47
ALTERNATE FOR SEAT.....	48

INDEX

NUMERICAL INDEX.....	49
----------------------	----

FIG. 2 CYLINDER HEAD

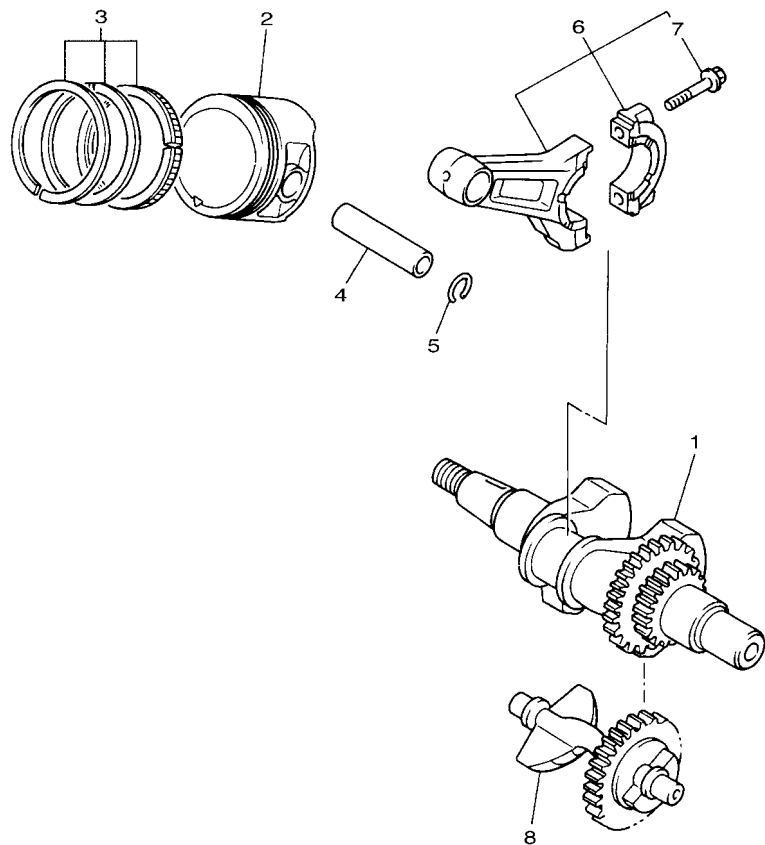


REF. NO.	PART NO.	DESCRIPTION	J0A2		REMARKS
1	JT0-11111-00	HEAD, CYLINDER 1	1		
2	JN6-11133-10	.GUIDE, VALVE 1	2		
3	JT0-11181-00	GASKET, CYLINDER HEAD 1	1		
4	97012-10070	BOLT	4		
5	90201-10057	WASHER, PLATE	4		
6	99530-14016	PIN, DOWEL	2		
7	95622-08618	BOLT, STUD	2		
8	94702-00348	PLUG, SPARK (NGK-BPR2ES)	1		STD
	94702-00343	PLUG, SPARK (NGK BR4ES)	1		AP
9	JN6-11191-01	COVER, CYLINDER HEAD 1	1		
10	JN6-11116-00	.JOINT, BREATHER	1		
11	JN6-11168-00	COVER, BREATHER	1		
12	JN6-11169-00	GASKET, BREATHER COVER	1		
13	JN6-11193-00	GASKET, HEAD COVER 1	1		
14	95822-06030	BOLT, FLANGE	4		
15	JW1-E1166-00	PIPE, BREATHER 1	2		FOR CAN
16	JW1-E1116-00	JOINT, BREATHER	1		FOR CAN
17	95602-08710	BOLT, STUD	2		
18	JR7-11163-10	ELEMENT	1		
19	90467-13847	CLIP	2		
20	JN6-E1166-00	PIPE, BREATHER 1	1		EXCEPT FOR CAN



J0A1110-S020

FIG. 3 CRANKSHAFT & PISTON

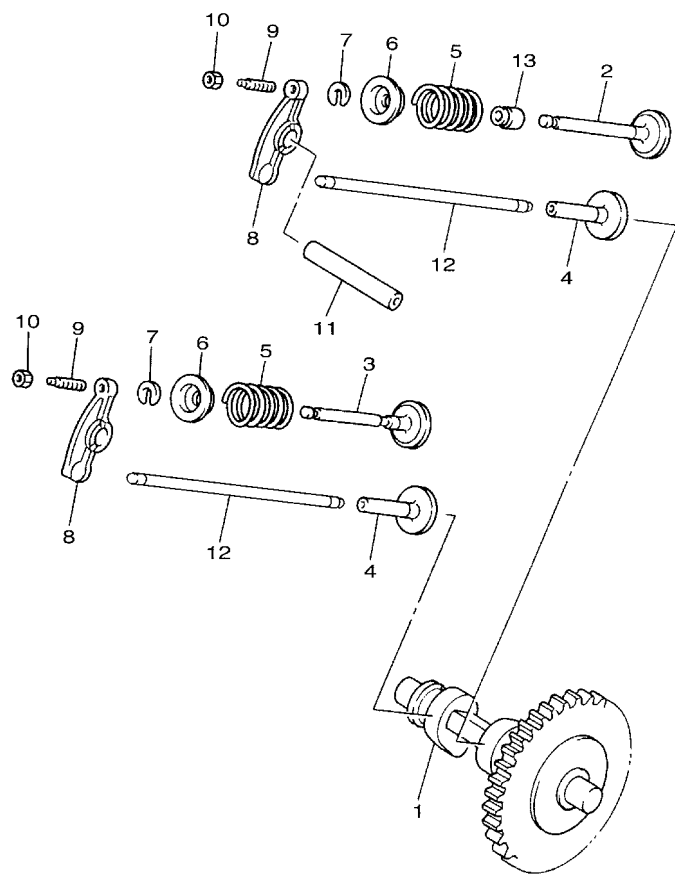


REF. NO.	PART NO.	DESCRIPTION	JDA2				REMARKS
1	JN6-11400-00	CRANKSHAFT ASSY	1				
2	JR7-11631-00-A0	PISTON (STD)	1				
	JR7-11635-00	PISTON (0.25MM O/S)	1				AP
	JR7-11636-00	PISTON (0.50MM O/S)	1				AP
3	JR7-11610-00	PISTON RING SET (STD)	1				
	JR7-11610-10	PISTON RING SET (0.25MM O/S)	1				AP
	JR7-11610-20	PISTON RING SET (0.50MM O/S)	1				AP
4	583-11633-00	PIN, PISTON	1				
5	93450-21053	CIRCLIP	2				
6	JN6-11650-10	CONNECTING ROD ASSY	1				
7	JN6-11654-10	.BOLT, CONNECTING ROD	2				
8	JN6-11454-10	WEIGHT 1	1				



JN7010-6021

FIG. 4 CAMSHAFT & VALVE

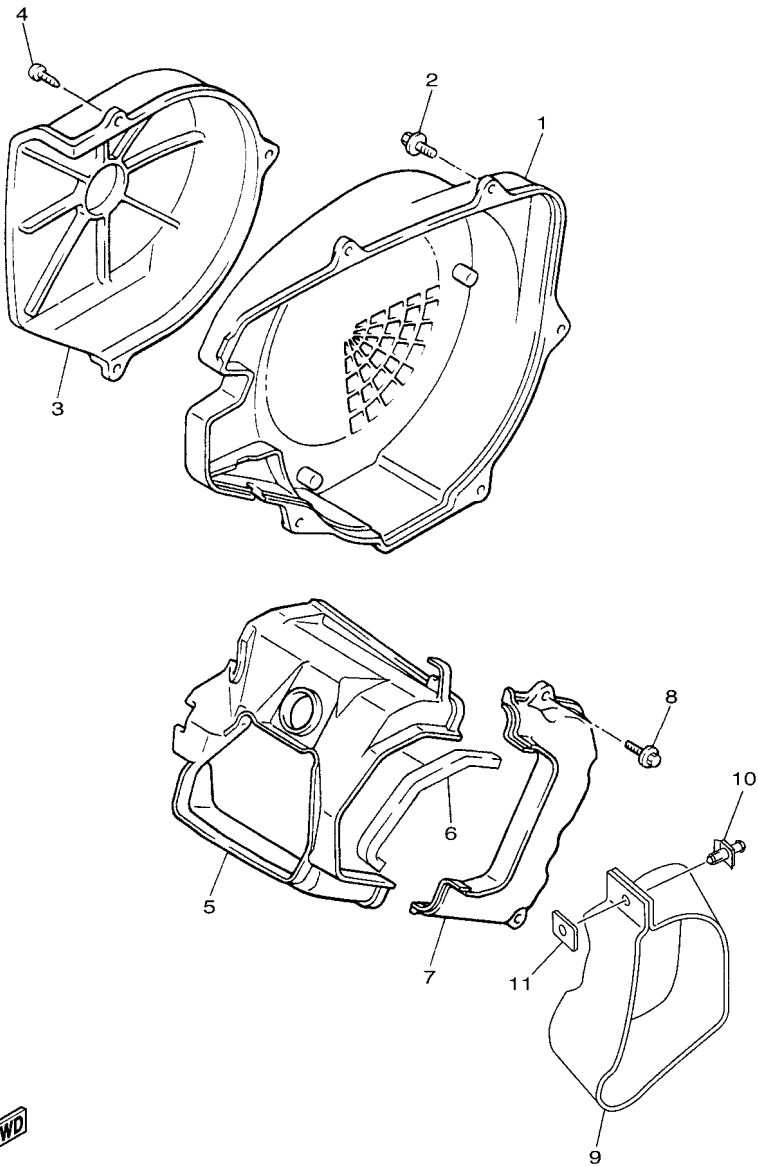


REF. NO.	PART NO.	DESCRIPTION	JDA2				REMARKS
1	JR7-12180-10	CAMSHAFT ASSY 2	1				
2	JN6-12111-10	VALVE, INTAKE	1				
3	7RH-12121-10	VALVE, EXHAUST	1				
4	JN6-12153-10	LIFTER, VALVE	2				
5	90501-264A9	SPRING, COMPRESSION	2				
6	J38-12117-01	RETAINER, VALVE SPRING	2				
7	J38-12118-00	LOCK, VALVE SPRING RETAINER	2				
8	JN6-12151-10	ARM, VALVE ROCKER	2				
9	22F-12159-10	SCREW, VALVE ADJUSTING	2				
10	90170-05302	NUT	2				
11	J38-12156-20	SHAFT, ROCKER 2	1				
12	JR7-12154-10	ROD, VALVE PUSH	2				
13	4G0-12119-00	SEAL, VALVE STEM	1				



JD13110-K030

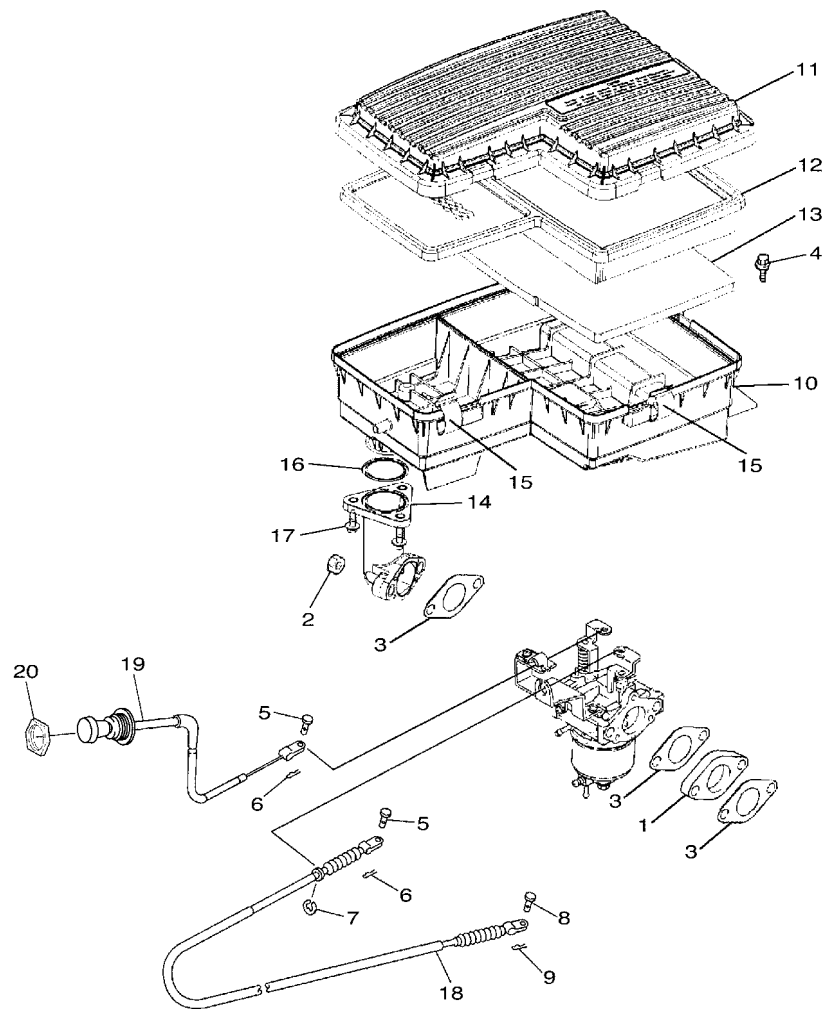
FIG. 5 AIR SHROUD & FAN



REF. NO.	PART NO.	DESCRIPTION	JDA2				REMARKS
1	JN6-12621-02	CASE, FAN	1				
2	95817-06020	BOLT, FLANGE	4				
3	JN6-12616-00	COVER, FAN CASE	1				
4	97702-60420	SCREW, TAPPING	3				
5	JN6-12651-01	AIR SHROUD, CYLINDER 1	1				
6	JR7-12658-00	DAMPER, AIR SHROUD 1	1				
7	JN6-12652-00	AIR SHROUD, CYLINDER 2	1				
8	95802-06020	BOLT, FLANGE	2				
9	JX4-12691-00	DUCT 1	1				
10	90269-10001	RIVET	1				
11	JR7-12634-00	PLATE 2	1				



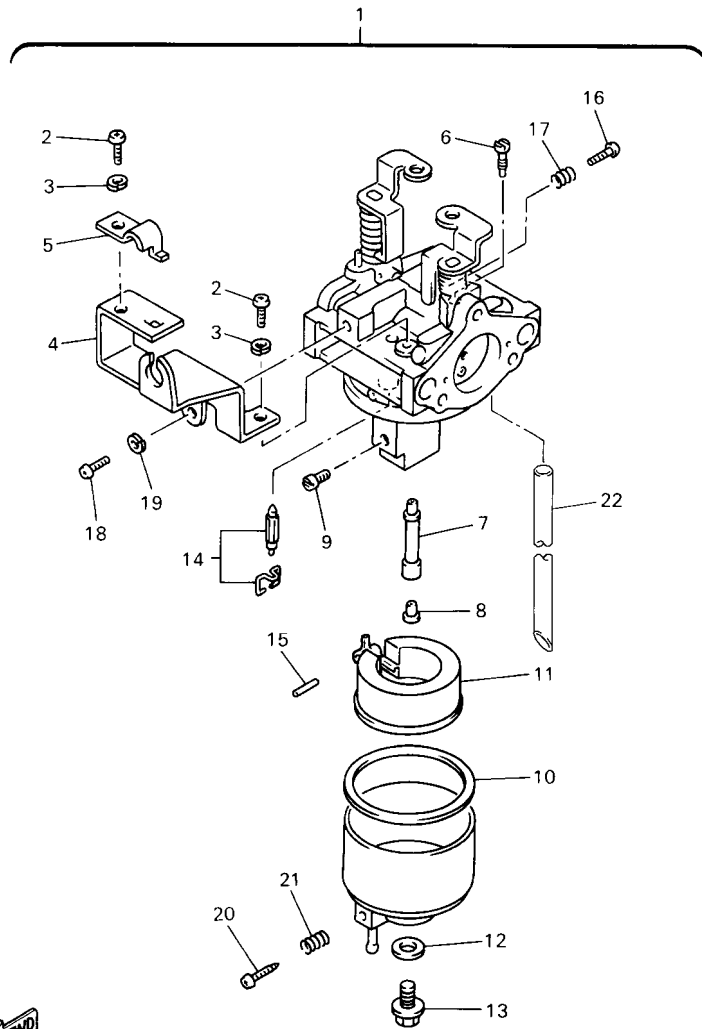
JC23100-P050



J2K1010-S050

FIG. 6 INTAKE

REF. NO.	PART NO.	DESCRIPTION	JQA2				REMARKS
1	JN6-13595-00	JOINT	1				
2	95702-08500	NUT, FLANGE	2				
3	JN6-13567-00	GASKET	3				
4	90119-06884	BOLT, WITH WASHER	2				
5	91702-05010	PIN, CLEVIS	2				
6	90468-10049	CLIP	2				
7	99001-07600	CIRCLIP	1				
8	91702-05010	PIN, CLEVIS	1				
9	90468-10049	CLIP	1				
10	JU0-E4411-00	CASE, AIR CLEANER 1	1				
11	JU0-E4412-00	CAP, CLEANER CASE 1	1				
12	JU0-E4450-01	ELEMENT ASSY, AIR CLEANER	1				
13	JU0-E445E-00	FILTER 1	1				
14	JU0-E3586-01	JOINT, CARBURETOR 1	1				
15	3B4-14424-00	CLIP, CAP FITTING	5				
16	JU0-E4561-00	O-RING	1				
17	JU0-E4429-00	SCREW	3				
18	JW8-F6312-21	CABLE, THROTTLE 2	1				
19	JW1-F6331-01	CABLE, STARTER 1	1				
20	JU0-F6333-00	NUT	1				



JW87110-R070

FIG. 7 CARBURETOR

REF. NO.	PART NO.	DESCRIPTION	JQA2	REMARKS
1	JR6-14101-02	CARBURETOR ASSY 1	1	
2	98507-05008	.SCREW, PAN HEAD	2	
3	92990-05100	.WASHER, SPRING	2	
4	JN6-14291-00	.BRACKET 1	1	
5	J10-14227-00	.PLATE	1	
6	732-14142-65-A0	.JET, PILOT (# 65)	1	
7	JN6-1495H-3B	.NOZZLE, MAIN	1	
8	73A-1414G-00	.PIPE, MAIN BLEED	1	
9	3G2-1423A-68-A0	.JET, MAIN (# 87.5)	1	STD
	3G2-1423A-67	.JET, MAIN (# 82.5)	1	AP
	3G2-1423E-33-A0	.JET, MAIN (#83.8)	1	AP
10	7CT-E4997-00	.SEAL	1	
11	JN6-14185-00	.FLOAT	1	
12	127-14198-00	.GASKET	1	
13	7R1-14162-00	.BOLT, HOLDING	1	
14	JN5-14150-00	.NEEDLE ASSY (WITH CLIP)	1	
15	22F-14186-00	.PIN, FLOAT	1	
16	1WG-14922-00	.SCREW, THROTTLE	1	
17	73A-14212-10	.SPRING	1	
18	98507-04010	.SCREW, PAN HEAD	1	
19	92902-04100	.WASHER, SPRING	1	
20	7E1-14191-00	.PLUG, DRAIN	1	
21	73A-14212-00	.SPRING	1	
22	1KT-14197-01	.PIPE	1	

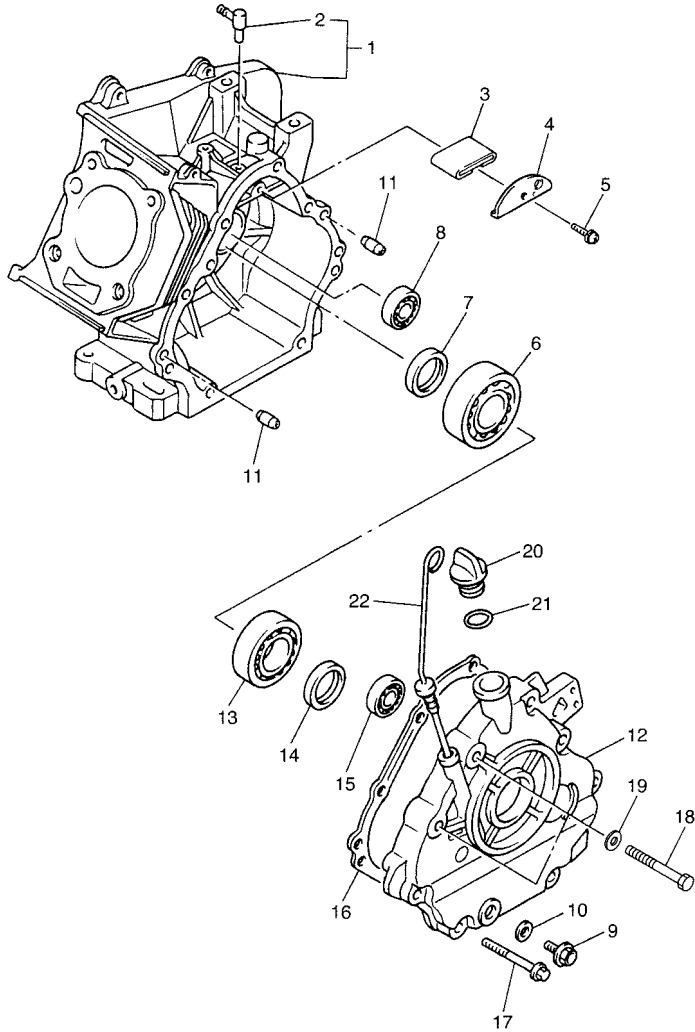


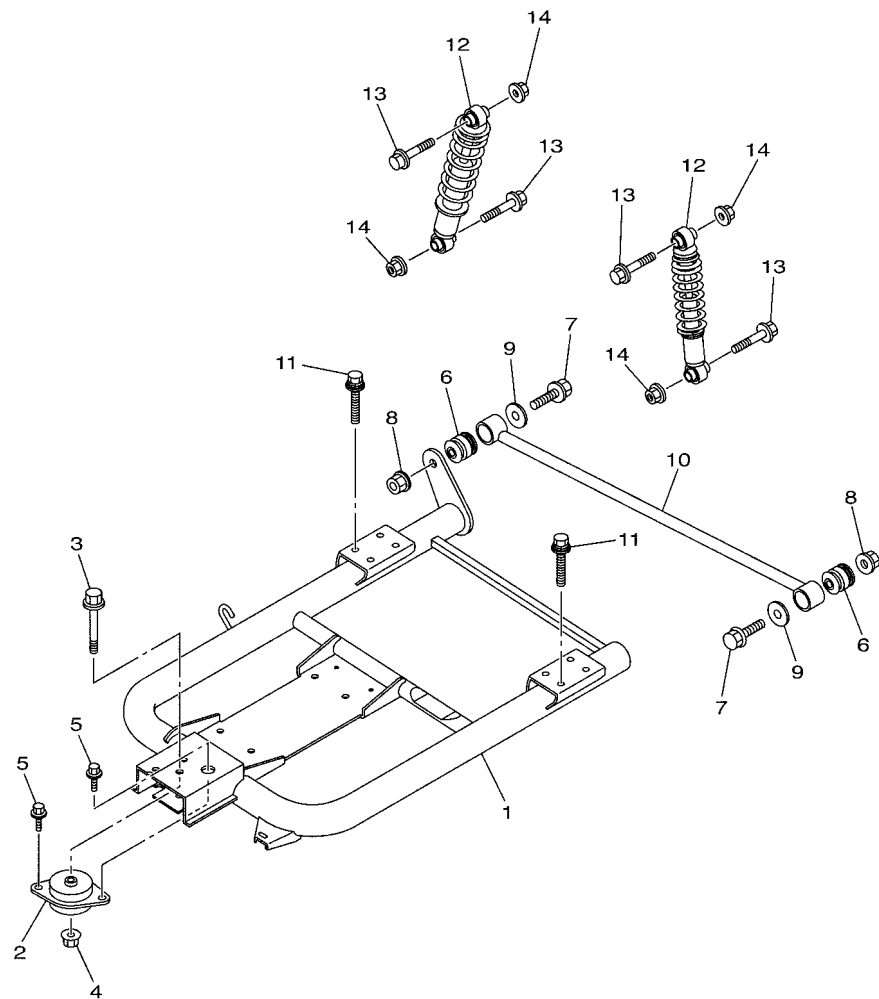
FIG. 9 CRANKCASE

REF. NO.	PART NO.	DESCRIPTION	JDA2				REMARKS
1	JR7-15100-03	CRANKCASE ASSY	1				
2	JN6-15155-10	.NOZZLE 3	1				
3	JW1-E5407-00	ELEMENT 1	1				
4	JR7-15123-00	PLATE, BAFFLE 1	1				
5	90159-06107	SCREW, WITH WASHER	1				
6	93306-30709	BEARING	1				
7	93102-35014	OIL SEAL	1				
8	93306-20201	BEARING	1				
9	90340-12097	PLUG, STRAIGHT SCREW	1				
10	812-11198-00	GASKET	1				
11	99530-08016	PIN, DOWEL	2				
12	JN6-15411-01	COVER, CRANKCASE 1	1				
13	93306-20714	BEARING	1				
14	93102-35014	OIL SEAL	1				
15	93306-20201	BEARING	1				
16	JY2-15451-00	GASKET, CRANKCASE COVER 1	1				
17	95812-08045	BOLT, FLANGE	6				
18	97012-10050	BOLT	2				
19	90201-10057	WASHER, PLATE	2				
20	796-15363-01	PLUG, OIL	1				
21	93210-22344	O-RING	1				
22	J38-15361-00	GAUGE, LEVEL	1				



JW61100-H090

FIG. 11 REAR ARM & SUSPENSION



REF. NO.	PART NO.	DESCRIPTION	J0A2				REMARKS
1	J0A-F2110-00	REAR ARM COMP.	1				
2	JN6-F2123-10	BUSH 1	1				
3	90105-13800	BOLT, FLANGE	1				
4	90179-13800	NUT	1				
5	90119-10044	BOLT, WITH WASHER	2				
6	JN6-F2124-10	BUSH 2	2				
7	95812-12065	BOLT, FLANGE	2				
8	95602-12200	NUT, SELF-LOCKING	2				
9	90201-128S4	WASHER, PLATE	2				
10	JW1-F217G-10	ROD, CONNECTING 2	1				
11	97512-10620	BOLT, WITH WASHER	8				
12	J0A-F2210-00	SHOCK ABSORBER ASSY, REAR	2				
13	95812-10055	BOLT, FLANGE	4				
14	95602-10200	NUT, S/L FLANGE	4				



J0A1110-S110

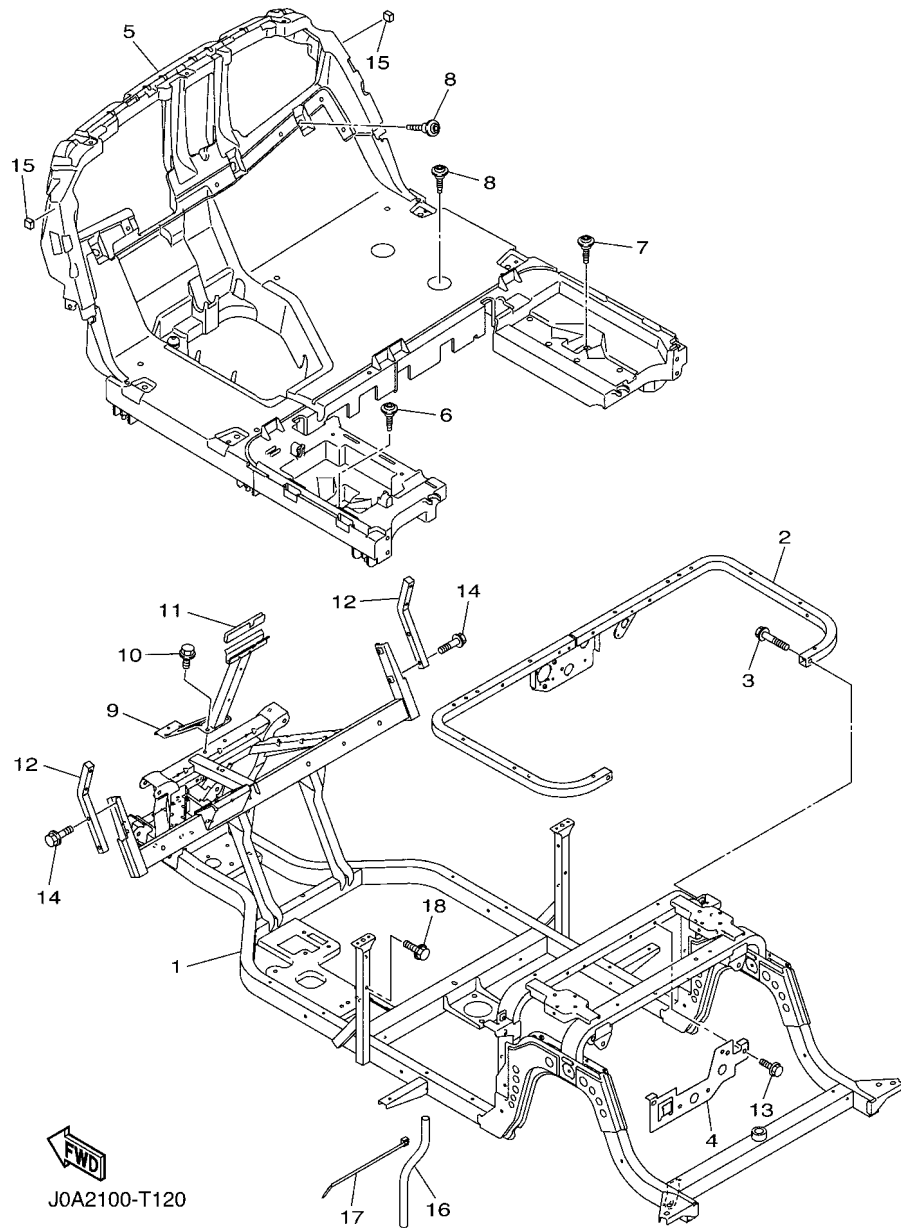
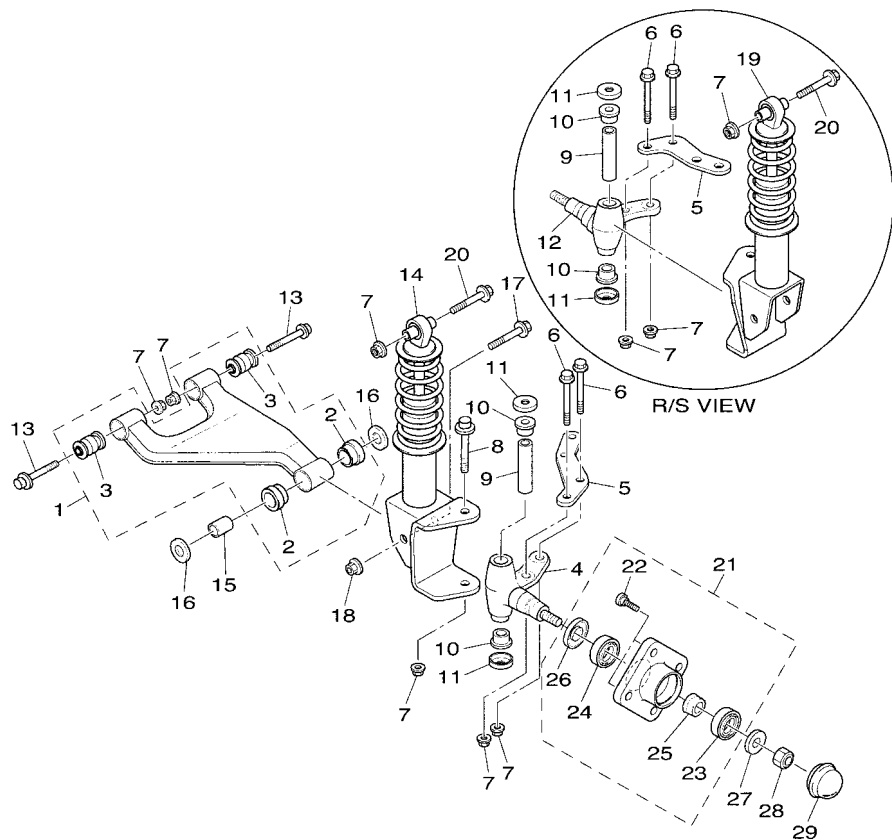


FIG. 12 FRAME

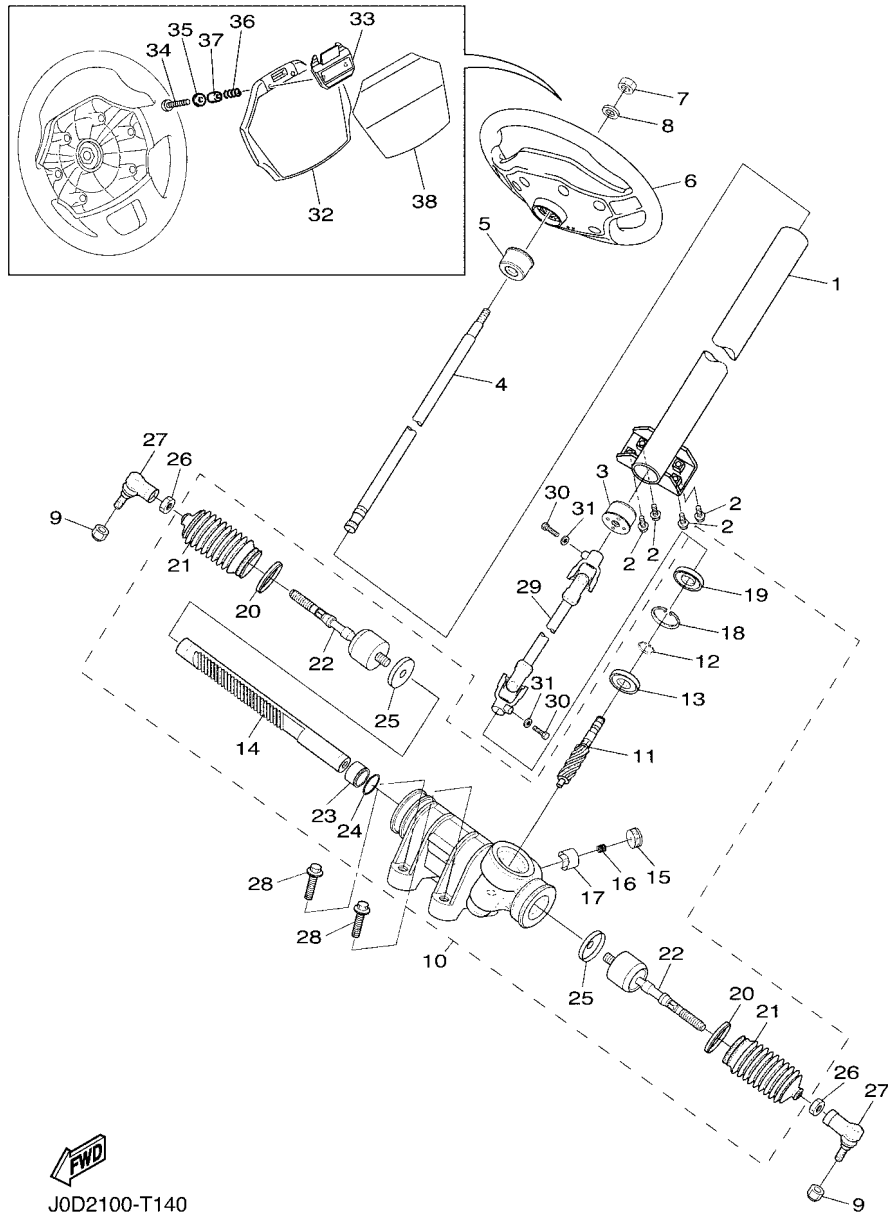
REF. NO.	PART NO.	DESCRIPTION	J0A2	REMARKS
1	J0A-F2501-00	FRAME COMP.	1	
2	J0B-F255G-00	MEMBER, SEAT SUPPORT	1	
3	95812-08040	BOLT, FLANGE	2	
4	JW8-F253B-00	STAY, RELAY	1	
5	J0A-F7411-00	FOOTREST 1	1	
6	J0B-F1738-00	BOLT	1	
7	J0B-F1738-00	BOLT	1	
8	J0B-F1738-00	BOLT	7	
9	J0B-F258E-00	SUPPORT, FRONT COWL	1	
10	90105-08867	BOLT, FLANGE	2	
11	J0B-F2127-00	SHIM	1	
12	J0B-K816M-00	REAR STORAGE BOX COMP.	2	
13	90105-06831	BOLT, FLANGE	2	
14	90105-088B6	BOLT, FLANGE	4	
15	J0B-K821A-00	PAD, BODY MOUNTING1	2	
16	J0B-F125J-00	PIPE, DRAIN	2	
17	90464-76800	CLAMP	2	
18	90105-08867	BOLT, FLANGE	1	

FIG. 13 FRONT SUSPENSION



J0A1110-S130

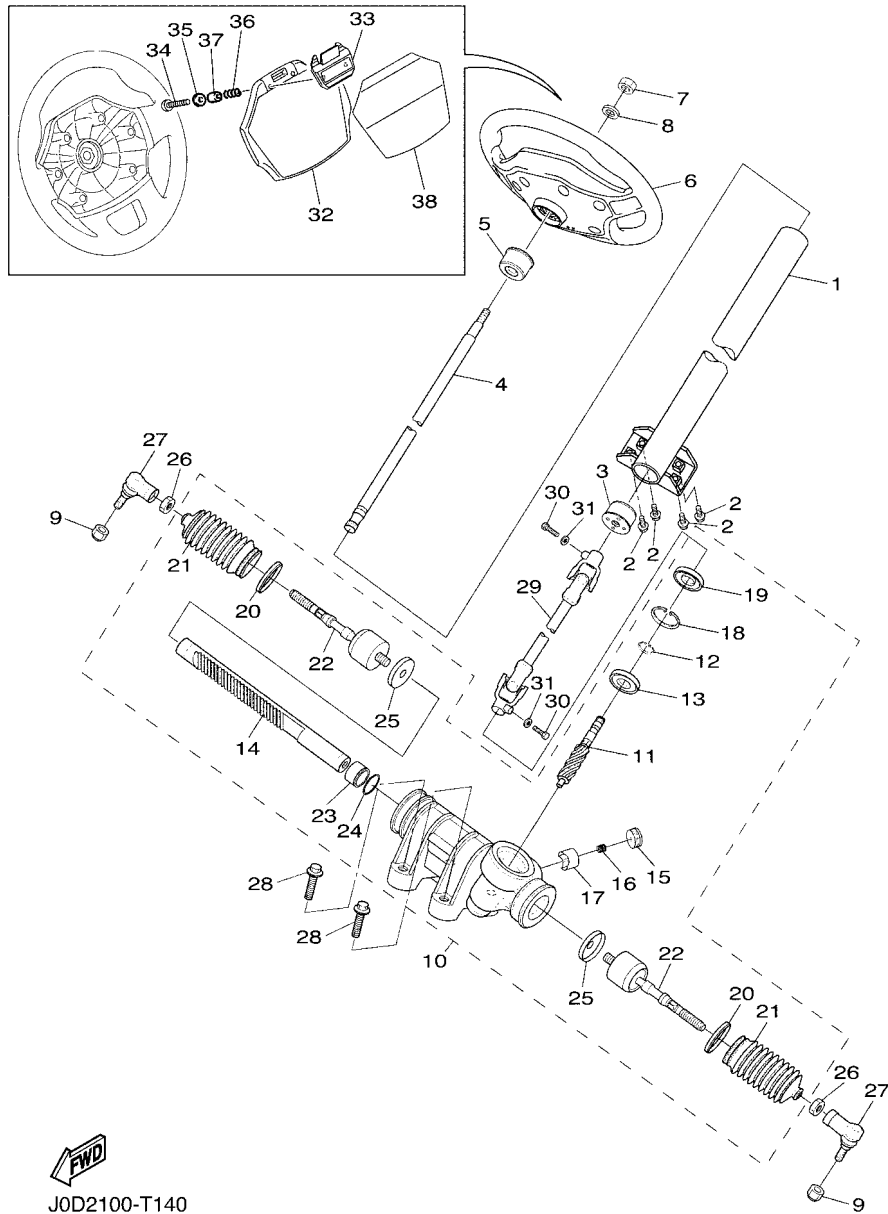
REF. NO.	PART NO.	DESCRIPTION	J0A2				REMARKS
1	J0B-F3570-10	FRONT LOWER ARM COMP. (LEFT)	2				
2	90381-18801	.BUSH, SOLID	2				
3	2HR-23526-00	.BUSH	2				
4	JU0-F3511-10	KNUCKLE, STEERING 1	1				
5	JW1-F3512-00	ARM, KNUCKLE 1	2				
6	90105-10373	BOLT, FLANGE	4				
7	95602-10200	NUT, S/L FLANGE	12				
8	90105-10219	BOLT, FLANGE	2				
9	2NL-23448-00	SPACER	2				
10	90381-17800	BUSH, SOLID	4				
11	2NL-23517-00	COVER, THRUST 1	4				
12	JU0-F3521-10	KNUCKLE, STEERING 2	1				
13	90105-10267	BOLT, FLANGE	4				
14	J0A-F3350-00	SHOCK ABSORBER ASSY	1				
15	90387-12016	COLLAR	2				
16	401-22128-01	COVER, THRUST 1	4				
17	95812-12080	BOLT, FLANGE	2				
18	95612-12100	NUT, U	2				
19	J0A-F3390-00	SHOCK ABSORBER ASSY 2	1				
20	90105-10267	BOLT, FLANGE	2				
21	JW8-F5103-00	HUB BEARING UNIT ASSY	2				
22	90114-12806	.BOLT, SERRATION	4				
23	93306-204X0	.BEARING	1				
24	93306-005Y3	.BEARING	1				
25	90387-241M7	.COLLAR	1				
26	93102-30083	.OIL SEAL	1				
27	90208-14801	WASHER, CONICAL SPRING	2				



J0D2100-T140

FIG. 14 STEERING

REF. NO.	PART NO.	DESCRIPTION	J0A2				REMARKS
1	JW1-F3811-03	COLUMN, STEERING	1				
2	95812-08020	BOLT, FLANGE	4				
3	JU0-F3857-11	HOLDER	1				
4	JU0-F3828-10	ROD, STEERING	1				
5	JU0-F3857-11	HOLDER	1				
6	J0A-F3838-00	WHEEL, STEERING	1				
7	90185-12008	NUT, SELF-LOCKING	1				
8	92902-12200	WASHER	1				
9	95602-12200	NUT, SELF-LOCKING	2				
10	JW1-F3400-00	STEERING ASSY	1				
11	JW1-F387A-00	.GEAR, PINION	1				
12	JW1-F3183-00	.CIRCLIP	1				
13	JW1-F3812-00	.BEARING, STEERING	1				
14	JW1-F387E-00	.GEAR, RACK	1				
15	5UG-F387G-00	.COVER, ADJUST	1				
16	5UG-F387K-00	.SPRING, PRESSURE	1				
17	5UG-F387F-00	.PAD, PRESSURE	1				
18	5UG-F387J-00	.RING, STOPPER	1				
19	5UG-F3844-00	.SEAL	1				
20	5UG-F3489-00	.BAND	2				
21	5UG-F3527-00	.SEAL, DUST 1	2				
22	JW1-F3837-00	.ROD, TIE 2	2				
23	JW1-F467K-00	.BUSH, CAP	1				
24	JW1-F3866-00	.CIRCLIP	1				
25	JW1-F3894-00	.WASHER, LOCK 1	2				
26	1P0-F3833-00	NUT 1	2				
27	JW8-23841-01	JOINT, UNIVERSAL 1	2				

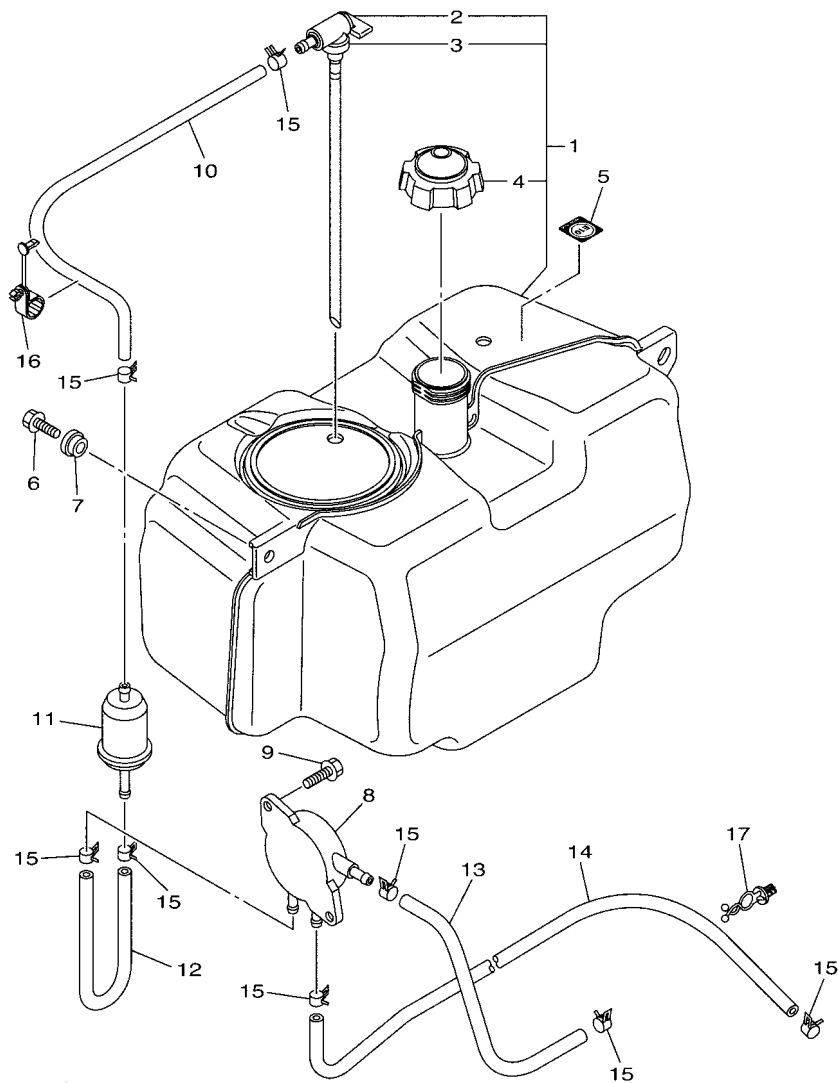


J0D2100-T140

FIG. 14 STEERING

REF. NO.	PART NO.	DESCRIPTION	J0A2				REMARKS
28	90105-10847	BOLT, FLANGE	4				
29	JW1-F3822-01	JOINT 1	1				
30	97012-08030	BOLT	2				
31	92902-08600	WASHER, PLATE	2				
32	J0B-K8357-00	HOLDER 1	1				
33	J0B-K8358-00	HOLDER 2	1				
34	J0B-K7387-00	SCREW	2				
35	90201-04810	WASHER, PLATE	2				
36	J0B-K7363-00	SPRING	2				
37	J0B-K7115-00	COLLAR	2				
38	J0B-K7762-10	LABEL, WARNING 2	1				UR ENGLISH/FRENCH
	J0B-K7762-20	LABEL, WARNING 2	1				UR GERMAN/SPANISH

FIG. 16 FUEL TANK 2



FWD
J0A1100-S160

REF. NO.	PART NO.	DESCRIPTION	J0A2	REMARKS
1	JW8-F4111-30	TANK, FUEL	1	EXCEPT FOR CAN
2	JW1-F4300-10	.FUEL PIPE JOINT	1	
3	JU5-F4375-00	.GROMMET	1	
4	JN6-F4610-00	.CAP ASSY	1	
5	B88-2817K-00	LABEL, FUEL	1	
6	JW1-F1738-00	BOLT	2	
7	90560-08251	SPACER	2	
8	JN6-F4410-11	FUEL PUMP ASSY	1	
9	JW1-F3394-00	BOLT, SPECIAL	2	
10	JW7-F4311-00	PIPE, FUEL 1	1	
11	JN6-F4560-00	FILTER ASSY	1	
12	JW1-F4311-00	PIPE, FUEL 1	1	
13	JW1-F4313-01	PIPE 3	1	
14	JW1-F4314-00	PIPE 4	1	
15	90467-10846	CLIP	8	
16	JW7-F312H-00	CLAMP	1	
17	90464-12836	CLAMP	1	

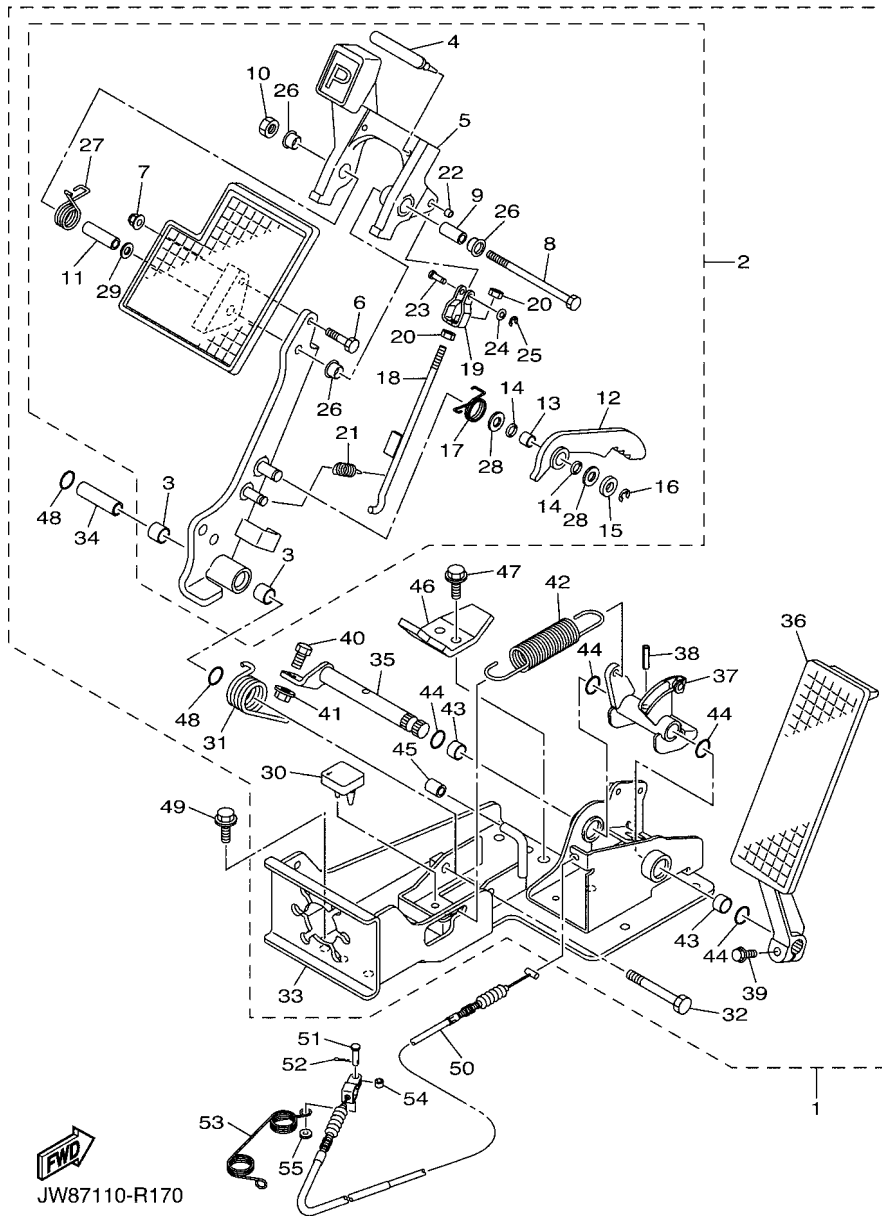


FIG. 18 PEDAL ASSEMBLY

REF. NO.	PART NO.	DESCRIPTION	JQA2	REMARKS
1	JW8-F7850-31	PEDAL ASSY (L.H)	1	
2	JW9-F7200-21	.PEDAL, BRAKE	1	
3	JW8-F7814-21	.BUSH, PEDAL	2	
4	JW9-F5672-00	..PAD, PARKING PEDAL	1	
5	JW9-F5671-00	..PEDAL, PARKING BRAKE	1	
6	JW8-F7117-00	..BOLT, MAIN STAND	1	
7	JW8-F8363-00	..NUT	1	
8	JW8-F7416-00	..BOLT, FOOTREST	1	
9	JW8-F639N-00	..COLLAR	1	
10	JW8-F7218-00	..NUT	1	
11	JW8-F7113-00	..COLLAR, MAIN STAND	1	
12	JW9-F5666-00	..SECTOR, PARKING BRAKE	1	
13	JW8-F7121-00	..BUSH	1	
14	JW9-F7221-00	..SEAL, SHAFT	2	
15	JW8-F7322-00	..WASHER	1	
16	JW8-F3183-00	..CIRCLIP	1	
17	JW8-F7426-01	..SPRING, RETURN	1	
18	JW9-F7231-10	..ROD, BRAKE	1	
19	JW9-F7232-00	..END, ROD 2	1	
20	JW8-F7318-00	..NUT	2	
21	JW8-F6314-00	..SPRING	1	
22	JW8-F639L-00	..BUSH 1	1	
23	JW9-F7228-00	..PIN, JOINT	1	
24	JW8-F8323-00	..WASHER, LEG SHIELD	1	
25	JW8-F5415-00	..CIRCLIP	1	
26	90386-12800	..BUSH	3	
27	JW8-F7825-01	..SPRING, RETURN	1	

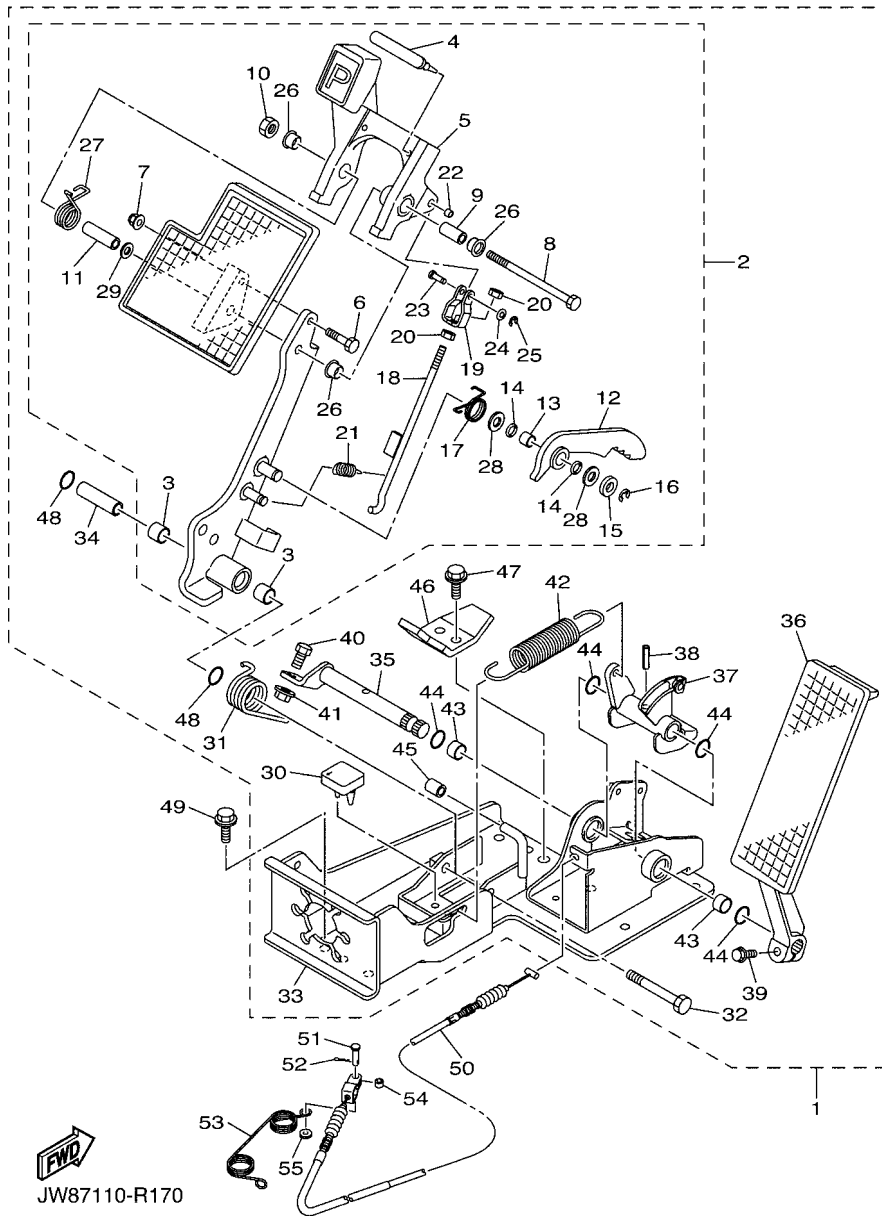
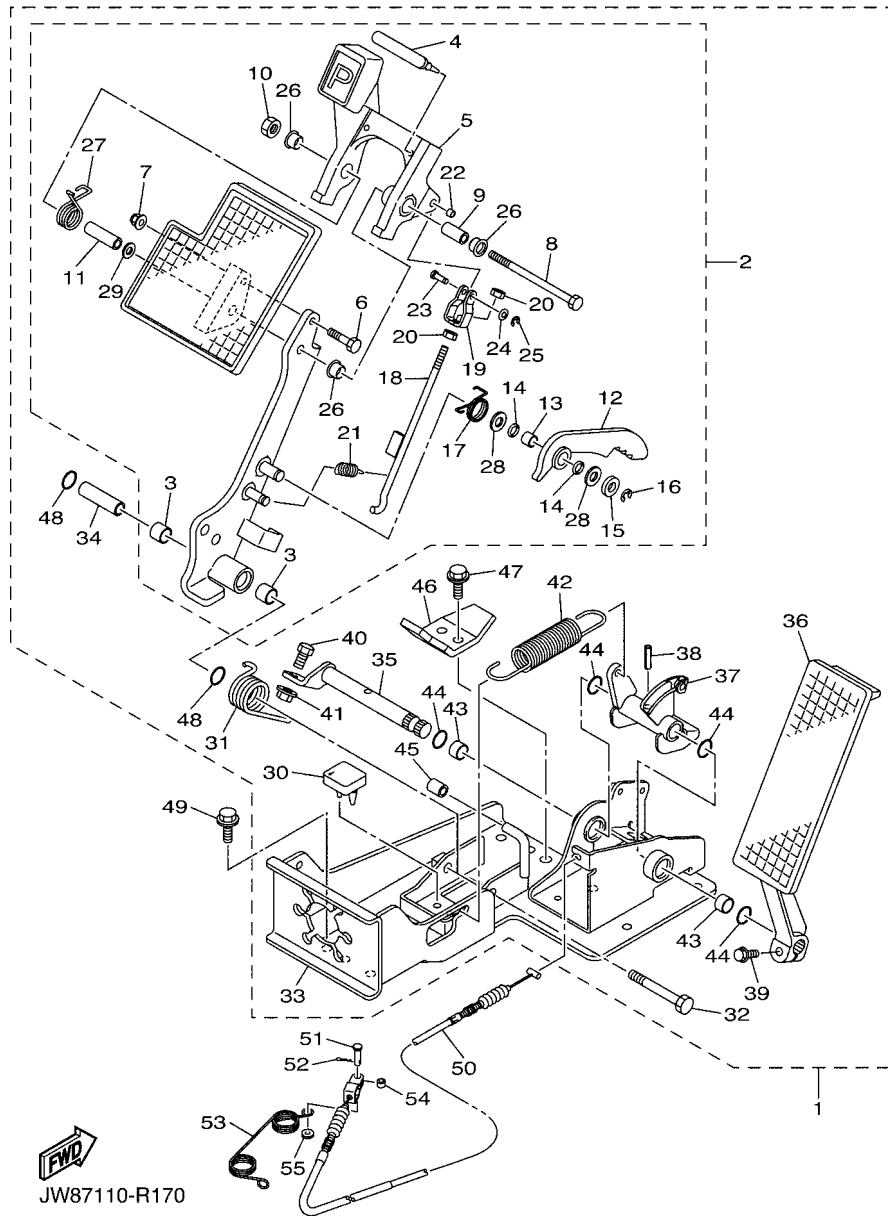


FIG. 18 PEDAL ASSEMBLY

REF. NO.	PART NO.	DESCRIPTION	JQA2	REMARKS
28	JW8-F7119-00	..WASHER	2	
29	JW8-F8319-00	..WASHER	1	
30	JW9-F7245-10	.PAD, BRAKE PEDAL	1	
31	JW8-F7316-01	.SPRING, SIDE STAND	1	
32	JW8-F7217-00	.BOLT	1	
33	JW8-F7445-31	.PLATE 1	1	
34	JW8-F7213-20	.COLLAR	1	
35	JW8-F7853-10	.SHAFT, PEDAL 1	1	
36	JW9-F7871-10	.PEDAL, ACCELERATOR	1	
37	JW8-F7872-30	.ARM, ACCELERATOR PEDAL	1	
38	JW8-F7438-00	.PIN, CLEVIS	1	
39	JW8-F7434-00	.BOLT	1	
40	JW8-F7317-00	.BOLT	1	
41	JW8-F7118-00	.NUT	1	
42	JW8-F815H-01	.SPRING	1	
43	JW8-F7814-21	.BUSH, PEDAL	2	
44	JW8-F4486-00	.O-RING	4	
45	JW9-F5673-00	.DAMPER, BRAKE	1	
46	JW9-F7246-20	.NAIL, BRAKE	1	
47	JW8-F8331-00	.BOLT, LEG SHIELD	2	
48	JW8-F4486-00	.O-RING	2	
49	95812-08020	BOLT, FLANGE	6	
50	JW8-F6311-20	CABLE, THROTTLE 1	1	
51	91702-05014	PIN, CLEVIS	1	
52	90468-10050	CLIP	1	
53	90508-16460	SPRING, TORSION	1	
54	90560-05001	SPACER	1	

FIG. 18 PEDAL ASSEMBLY



REF. NO.	PART NO.	DESCRIPTION	JQA2				REMARKS
55	JW8-G2181-00	WASHER	1				

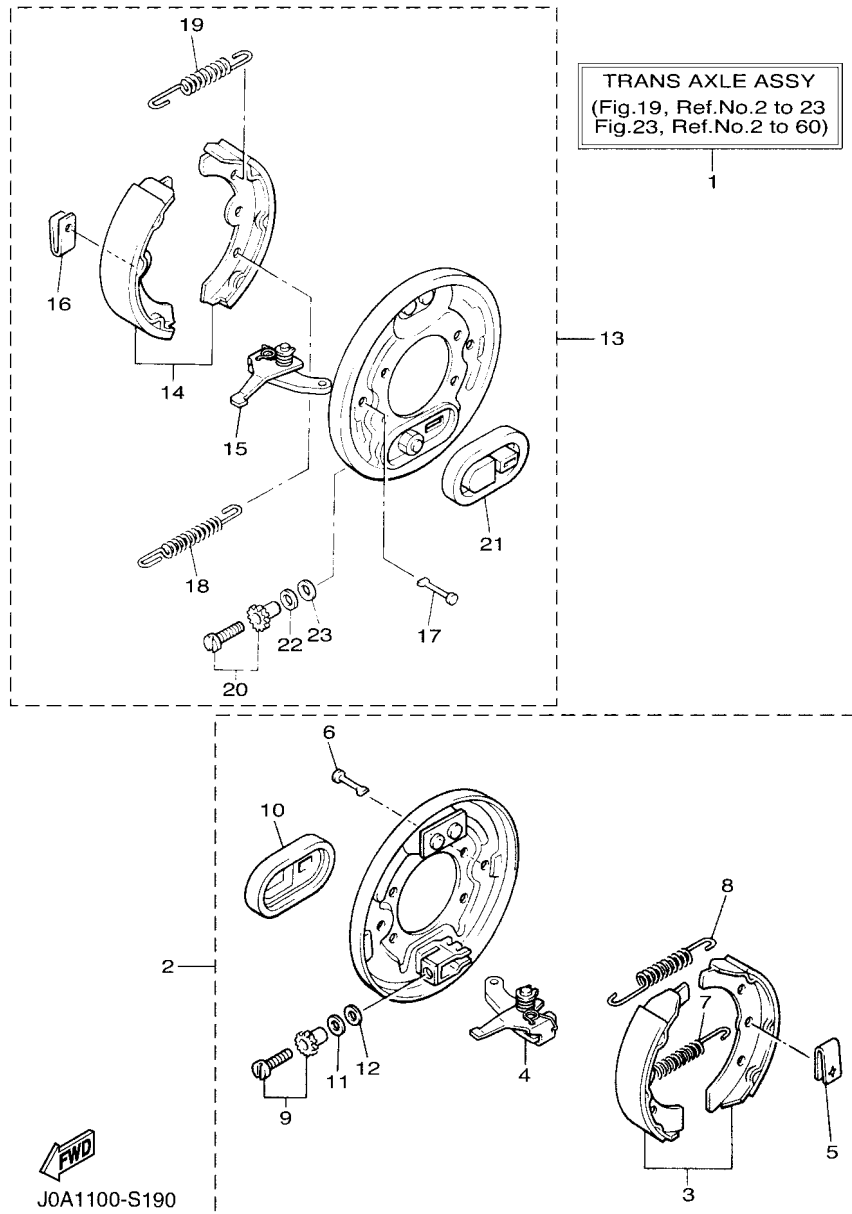
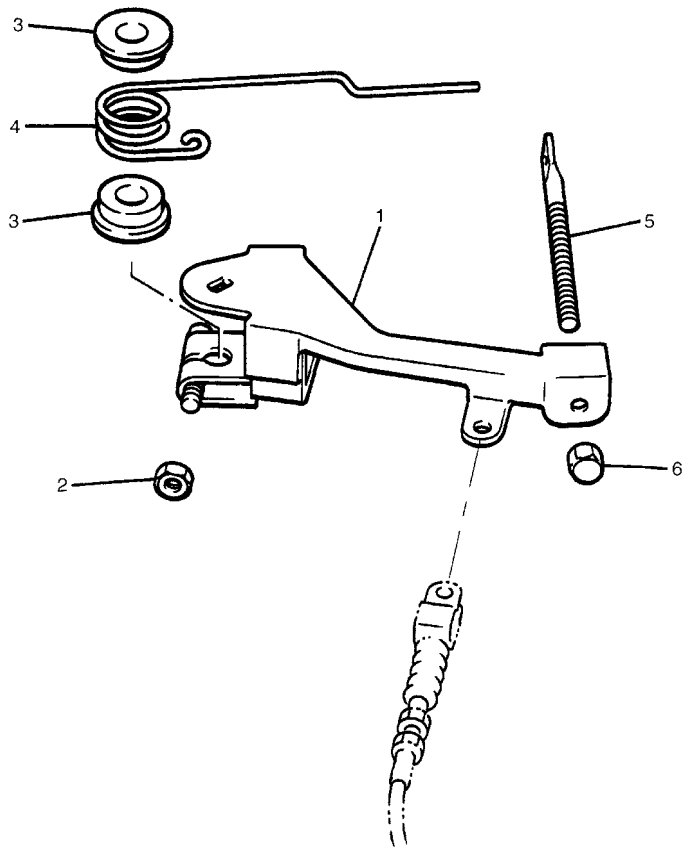


FIG. 19 BRAKE

REF. NO.	PART NO.	DESCRIPTION	J0A2				REMARKS
1	J0A-G6300-00	TRANS AXLE ASSY	1				
2	JW8-F7290-00	..BACKING PLATE ASSY 2	1				
3	JN9-W2536-00	..BRAKE SHOE SET	1				
4	J38-27205-00	..LEVER ASSY 2	1				
5	JW8-F7281-00	..SPRING, SHOE CLAMP	2				
6	J10-27282-00	..PIN, SHOE HOLD DOWN	2				
7	90506-20281	..SPRING, TENSION	1				
8	90506-14001	..SPRING, TENSION	1				
9	J55-27260-00	..ADJUSTER ASSY	1				
10	JW8-F7286-00	..COVER, DUST	1				
11	90201-121H9	..WASHER, PLATE	1				
12	90201-121H8	..WASHER, PLATE	1				
13	JW8-F7280-00	..BACKING PLATE ASSY 1	1				
14	JN9-W2536-00	..BRAKE SHOE SET	1				
15	J38-27204-00	..LEVER ASSY 1	1				
16	JW8-F7281-00	..SPRING, SHOE CLAMP	2				
17	J10-27282-00	..PIN, SHOE HOLD DOWN	2				
18	90506-20281	..SPRING, TENSION	1				
19	90506-14001	..SPRING, TENSION	1				
20	J55-27270-00	..ADJUSTER ASSY	1				
21	JW8-F7286-00	..COVER, DUST	1				
22	90201-121H9	..WASHER, PLATE	1				
23	90201-121H8	..WASHER, PLATE	1				

FIG. 20 GOVERNOR



REF. NO.	PART NO.	DESCRIPTION	J0A2				REMARKS
1	J38-27951-00	LEVER, SPEED LIMITER	1				
2	95380-06600	NUT, HEXAGON	1				
3	90386-08141	BUSH	2				
4	90508-40678	SPRING, TORSION	1				
5	J38-27959-00	SCREW, ADJUSTING	1				
6	95602-06200	NUT, SELF-LOCKING	1				



JT71010-B190

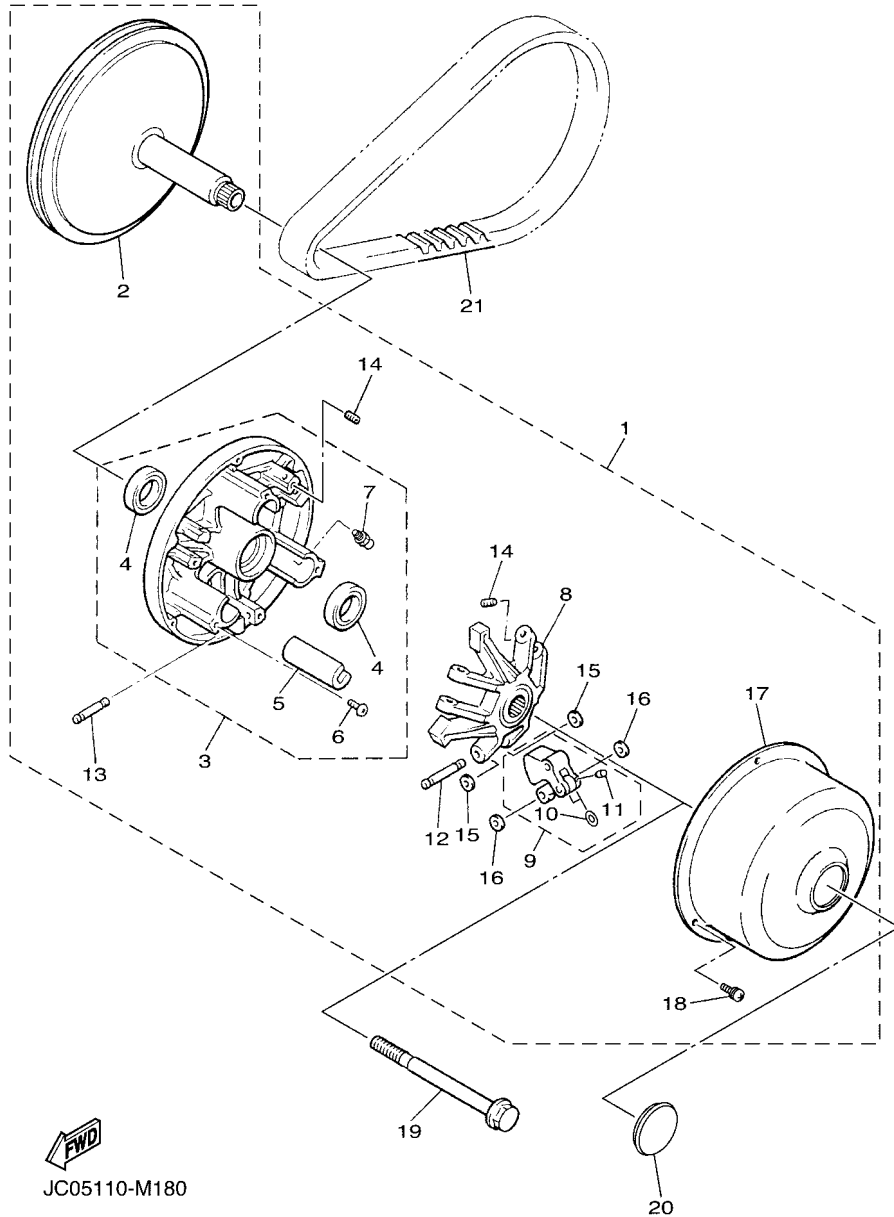
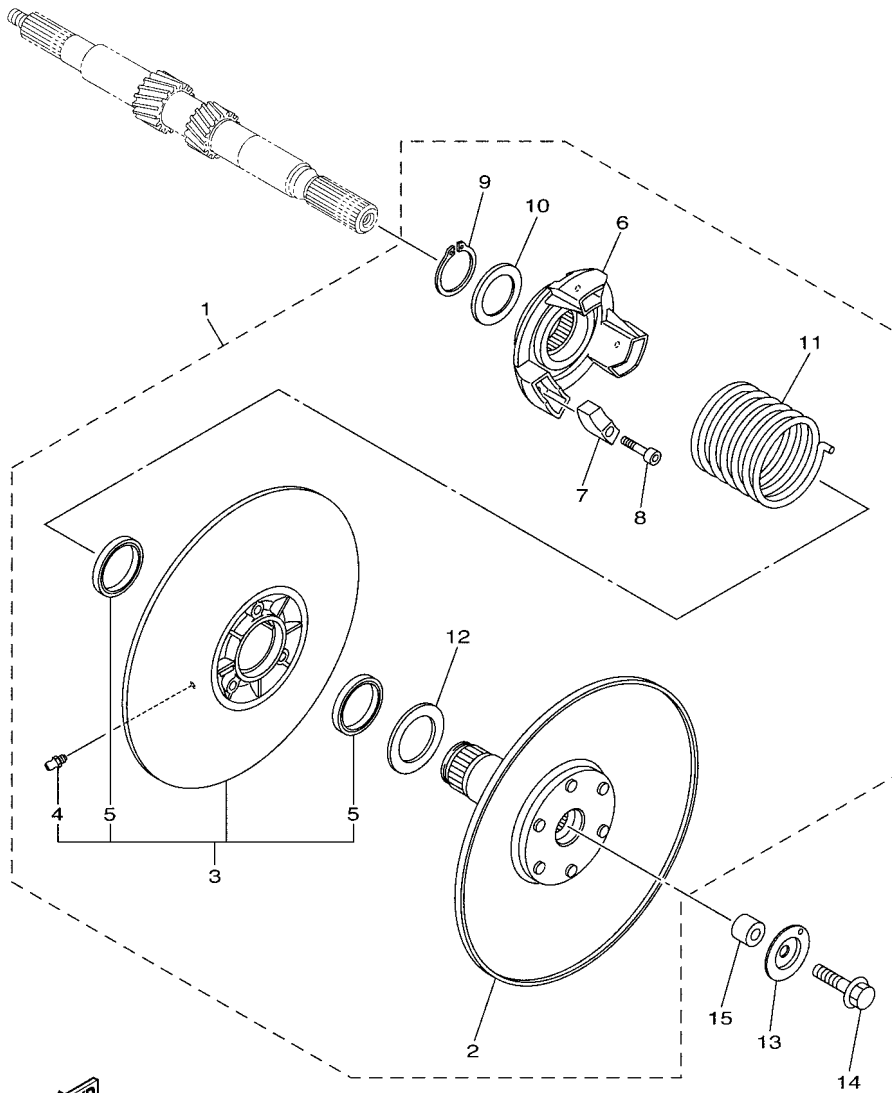


FIG. 21 PRIMARY SHEAVE

REF. NO.	PART NO.	DESCRIPTION	JDA2				REMARKS
1	J0B-G6201-01	PRIMARY CLUTCH ASSY	1				
2	JW8-G6210-01	.PRIMARY FIXED SHEAVE COMP.	1				
3	J0B-G6220-01	.PRIMARY SLIDING SHEAVE COMP.	1				
4	JW8-G624A-00	..OIL SEAL 1	2				
5	JW8-G6253-00	..SLIDER	3				
6	JW8-G4189-00	..SCREW	3				
7	JW8-F135J-00	..NIPPLE	1				
8	JW8-G6251-21	..SPIDER	1				
9	JW8-G6205-22	..WEIGHT LINK ASSY	3				
10	JW8-G5618-00	..WASHER, 1	2				
11	90113-04803	..BOLT, SET	2				
12	JW8-G6236-20	..PIN, WEIGHT	3				
13	JW8-G6237-20	..PIN, WEIGHT 2	3				
14	90113-04803	..BOLT, SET	6				
15	JW8-G5618-00	..WASHER, 1	6				
16	JW8-G5621-00	..WASHER, 2	6				
17	J0B-G6231-00	..CAP	1				
18	JW8-G5282-00	..SCREW	3				
19	JW8-G6249-00	BOLT	1				
20	JW8-G7339-00	PLUG	1				
21	J55-G6241-02	V-BELT	1				



J0D2100-T210

FIG. 22 SECONDARY SHEAVE

REF. NO.	PART NO.	DESCRIPTION	J0A2				REMARKS
1	JW8-G6202-23	SECONDARY SHEAVE ASSY	1				
2	JW8-G6260-23	.SECONDARY FIXED SHEAVE COMP.	1				
3	JW8-G6270-21	.SECONDARY SLIDING SHEAVE COMP.	1				
4	JW8-F135J-00	.NIPPLE	1				
5	JW8-G624B-00	.OIL SEAL 2	2				
6	JW8-G6284-10	.SEAT, SECONDARY SPRING	1				
7	JW8-E7688-00	.SHOE, RAMP	3				
8	JW8-G6159-00	.BOLT 3	3				
9	JW8-G5531-00	.CLIP, DRIVE SHAFT	1				
10	JW8-G6374-00	.COLLAR, SPRING	1				
11	JW8-G6275-10	.SPRING, CLUTCH 1	1				
12	JW8-G5677-00	.WASHER	1				
13	90209-08013	WASHER	1				
14	90105-08260	BOLT, FLANGE	1				
15	JW8-G5697-20	COLLAR	1				

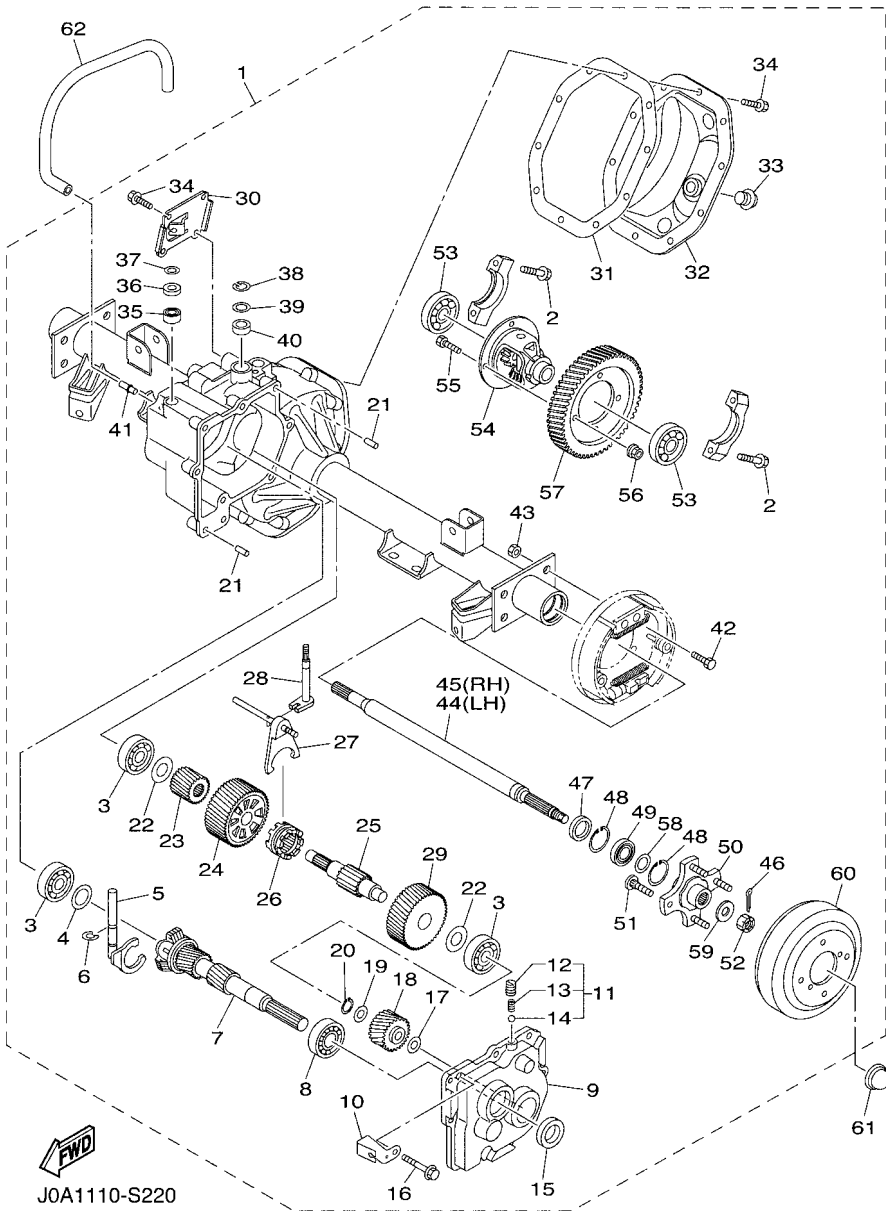


FIG. 23 TRANSAXLE

REF. NO.	PART NO.	DESCRIPTION	J0A2				REMARKS
1	J0A-G6300-00	TRANS AXLE ASSY	1				
2	90105-10840	.BOLT, FLANGE	4				
3	93306-303Y6	.BEARING	3				
4	JN3-G6344-00	.SHIM, 0.76MM (0.030IN)	1				
5	JW8-G633E-00	.BAR 1	1				
6	JU0-F722H-00	.RETAINER	1				
7	JW8-G6320-00	.INPUT SHAFT ASSY	1				
8	93306-005Y1	.BEARING	1				
9	JW8-G6313-10	.COVER, TRNSMISSION	1				
10	JW8-G6555-00	.BRACKET 2	1				
11	JU0-G6376-00	.SPRING SET	1				
12	90113-08803	..BOLT, SET	1				
13	90501-10852	..SPRING, COMPRESSION	1				
14	93500-06826	..BALL	1				
15	93102-25868	.OIL SEAL	1				
16	90105-08859	.BOLT, FLANGE	7				
17	90201-208H9	.WASHER, PLATE	1				
18	JN3-G6356-00	.GEAR, IDLER	1				
19	90201-208J0	.WASHER, PLATE	1				
20	JW8-F47E3-00	.CIRCLIP	1				
21	93606-10842	.PIN, DOWEL	2				
22	90201-178H8	.WASHER, PLATE	2				
23	JN3-G6316-00	.GEAR, PINION 1	1				
24	JN3-G6326-00	.GEAR, WHEEL 1	1				
25	JN3-G633G-00	.SHAFT	1				
26	JN3-G6153-00	.COLLAR, GUIDE	1				
27	JN6-G638E-00	.BAR, SHIFT 2	1				

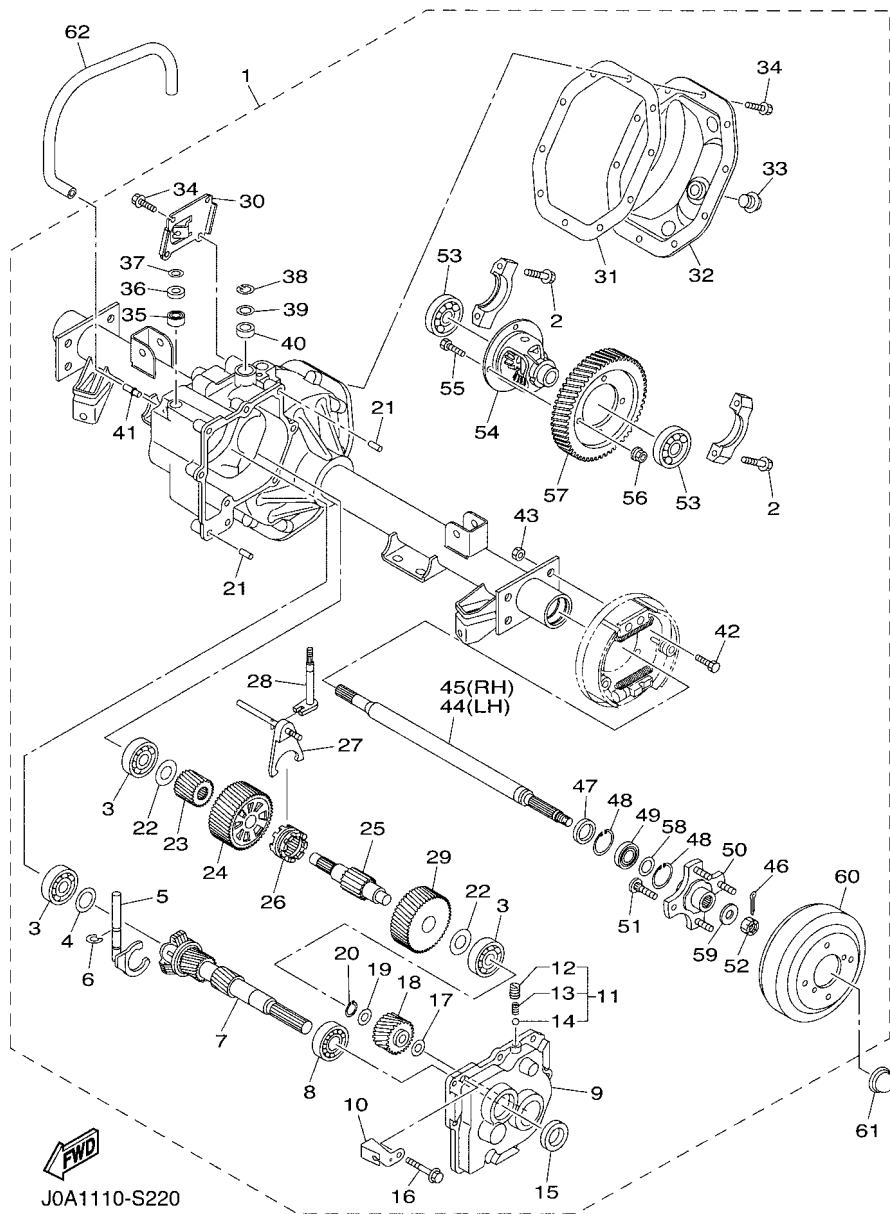
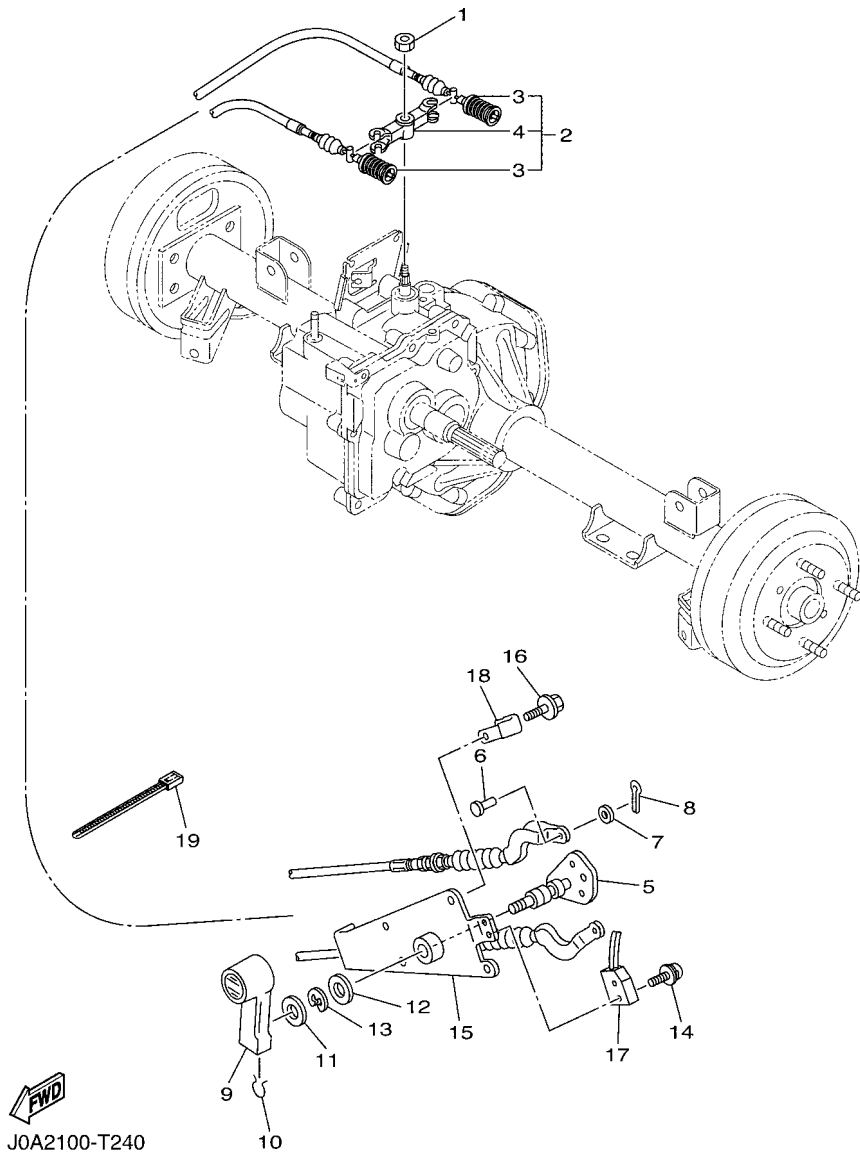


FIG. 23 TRANSAXLE

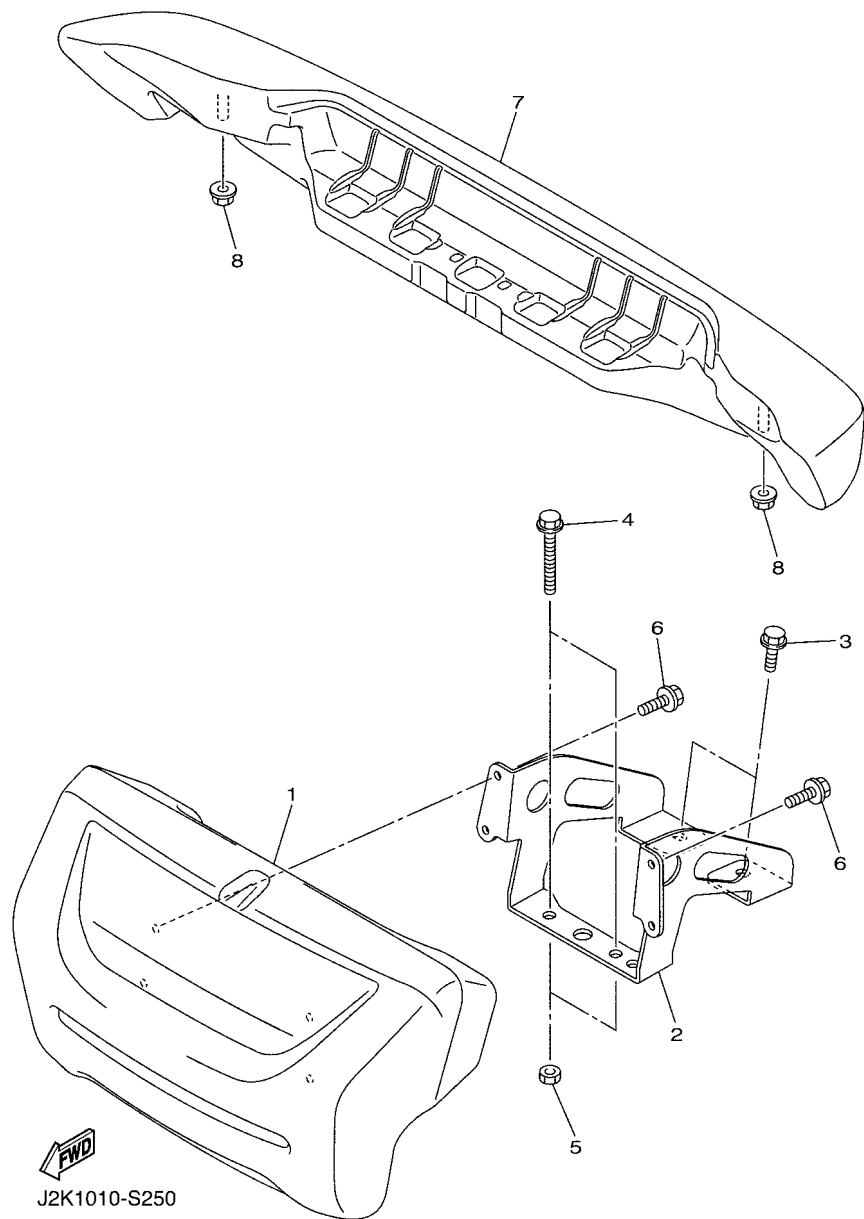
REF. NO.	PART NO.	DESCRIPTION	J0A2				REMARKS
28	JW8-G638A-00	.BAR, SHIFT 1	1				
29	JN3-G6327-00	.GEAR, WHEEL 2	1				
30	JW8-G1661-00	.BRACKET 1	1				
31	JU0-G631A-00	.GSKT., CASE	1				
32	JW8-G6314-10	.COVER, TRANSMISSION	1				
33	JN3-G6432-00	.STOPPER	1				
34	90101-08856	.BOLT	12				
35	JU0-G6164-00	.BEARING 1	1				
36	93109-10820	.OIL SEAL	1				
37	JU0-F723F-00	.WASHER, SPECIAL	1				
38	93410-12822	.CIRCLIP	1				
39	90202-12807	.WASHER, PLATE	1				
40	93104-11829	.OIL SEAL	1				
41	JW8-G5378-00	.NIPPLE, HOSE	1				
42	90101-08855	.BOLT	8				
43	90170-08841	.NUT	8				
44	JN3-G6511-00	.SHAFT, REAR AXLE 1 (L.H)	1				
45	JN3-G6512-00	.SHAFT, REAR AXLE 2 (R.H)	1				
46	91490-30030	.PIN. COTTER	2				
47	93101-24822	.OIL SEAL	2				
48	93420-44805	.CIRCLIP	4				
49	93306-00440	.BEARING	2				
50	JW8-G6514-00	.HUB, REAR AXLE	2				
51	JW8-G4178-00	.BOLT, STUD	8				
52	JW8-G5244-00	.NUT	2				
53	93306-007Y0	.BEARING	2				
54	JN6-G6410-00	.DIFFERENTIAL ASSY.	1				

FIG. 24 SHIFTER & CABLES



REF. NO.	PART NO.	DESCRIPTION	J0A2				REMARKS
1	95602-08100	NUT, U	1				
2	JW8-G8330-10	CABLE END ASSY	1				
3	JW8-G6371-10	.WIRE, SHIFT	2				
4	JW8-G6383-10	.LEVER, SHIFT 2	1				
5	J0B-G6382-00	LEVER, SHIFT 1	1				
6	91702-06014	PIN, CLEVIS	2				
7	92902-06600	WASHER, PLATE	2				
8	91402-20012	PIN, COTTER	2				
9	JN3-G6381-00	KNOB, SHIFT	1				
10	JN3-G6376-00	SPRING SET	1				
11	90201-208S8	WASHER, PLATE	1				
12	90201-198S7	WASHER, PLATE	1				
13	99009-19400	CIRCLIP	1				
14	97602-04316	SCREW, PAN HEAD WITH WASHER	2				
15	J0B-G6372-10	BRACKET, SHIFT WIRE	1				
16	90105-06831	BOLT, FLANGE	3				
17	JN3-82617-01	SWITCH	1				
18	90465-06038	CLAMP	1				
19	90464-40825	CLAMP	1				

FIG. 26 BUMPER



REF. NO.	PART NO.	DESCRIPTION	J0A2				REMARKS
1	J0B-K7510-01	FRONT BUMPER COMP.	1				
2	J0B-K8164-00	STAY, FRONT BUMPER (L.H)	1				
3	95812-08016	BOLT, FLANGE	2				
4	95812-08050	BOLT, FLANGE	2				
5	95302-08700	NUT, HEXAGON	2				
6	95822-06012	BOLT, FLANGE	4				
7	J0B-K7540-00	REAR BUMPER COMP.	1				
8	95602-10200	NUT, S/L FLANGE	2				

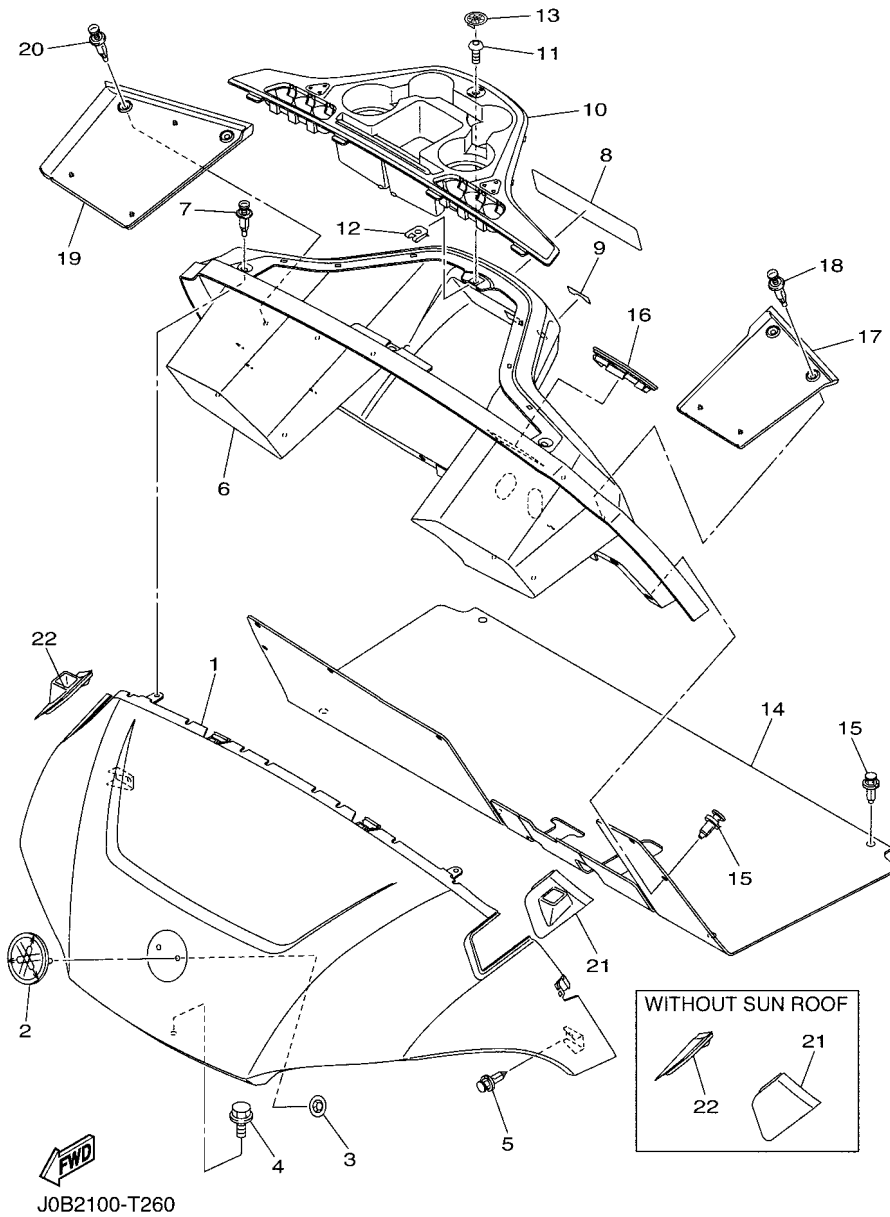


FIG. 27 BODY

REF. NO.	PART NO.	DESCRIPTION	J0A2	REMARKS
1	J0B-K8115-A0	COWL, FRONT	1	UR FOR BW1
	J0B-K8115-10	COWL, FRONT	1	UR FOR VDGS1
	J0B-K8115-00	COWL, FRONT	1	UR FOR DNBME
	J0B-K8115-20	COWL, FRONT	1	UR FOR LNYM8
	J0B-K8115-30	COWL, FRONT	1	UR FOR LNMP
	J0B-K8115-40	COWL, FRONT	1	UR FOR DYNM2
	J0B-K8115-B0	COWL, FRONT	1	UR FOR NYS4
	J0B-K8115-50	COWL, FRONT	1	UR FOR HTR
	J0B-K8115-60	COWL, FRONT	1	UR FOR DNMC
2	J0B-F4161-00	EMBLEM 1	1	
3	JU0-K7573-00	NUT, SPECIAL	2	
4	90105-06831	BOLT, FLANGE	1	
5	90269-06804	RIVET	2	
6	J0B-K8114-01	PANEL, FRONT	1	
7	90269-07805	RIVET	3	
8	J0B-K7768-00	LABEL, WARNING 8	1	UR ENGLISH
	J0B-K7768-10	LABEL, WARNING 8	1	UR ENGLISH/FRENCH
	J0B-K7768-20	LABEL, WARNING 8	1	UR GERMAN/SPANISH
9	J0B-K8282-10	PLATE, SWITCH PANEL	1	
10	J0B-K835E-00	HOLDER, BEVERAGE	1	
11	90111-05805	BOLT,HEX. SOCKET BUTTON	1	
12	90183-05008	NUT, SPRING	1	
13	J0B-H2370-00	PLUG CAP ASSY	1	
14	J0B-K8233-00	MAT, MAIN FLOOR 3	1	
15	90269-09003	RIVET	12	
16	J0B-K8273-10	COVER, HOLE	1	
17	J0B-K8243-00	MAT, REAR BODY SIDE (LH)	1	

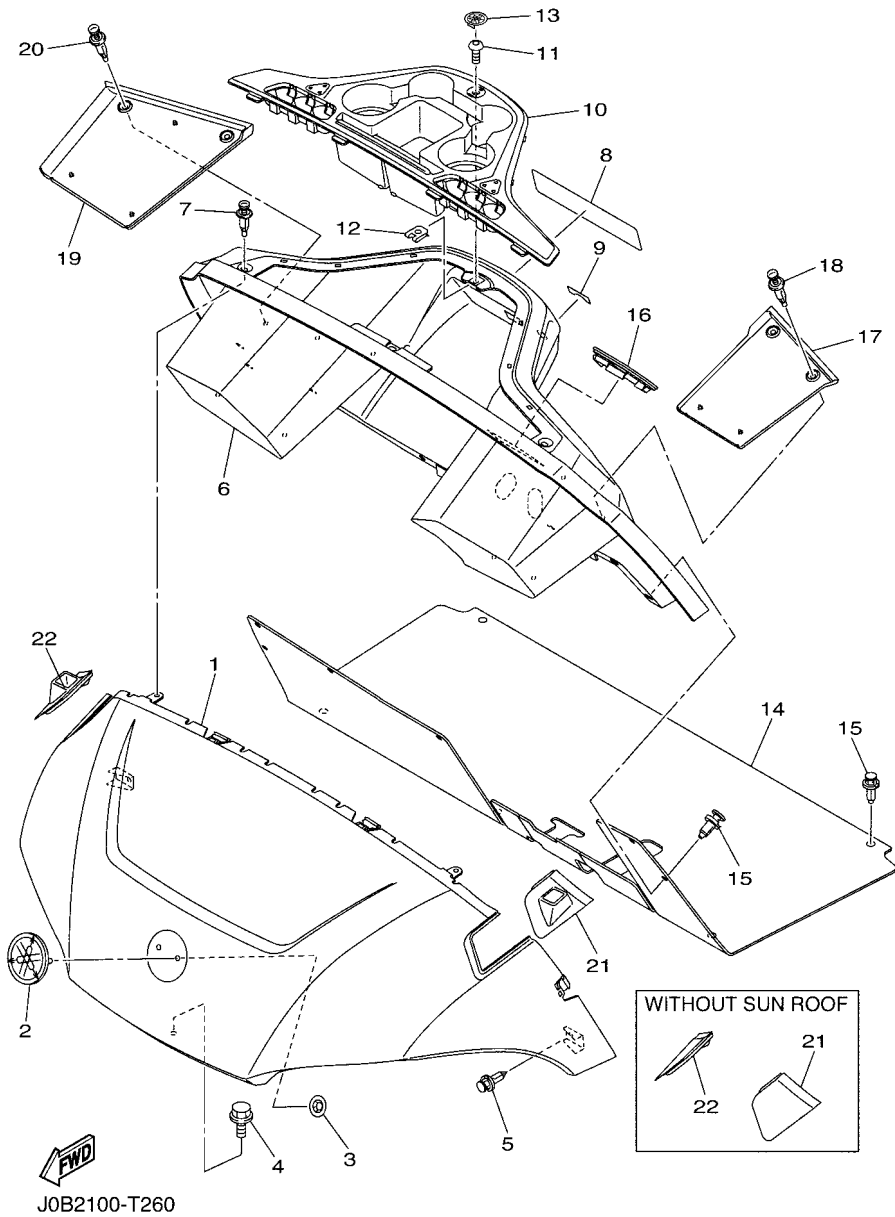
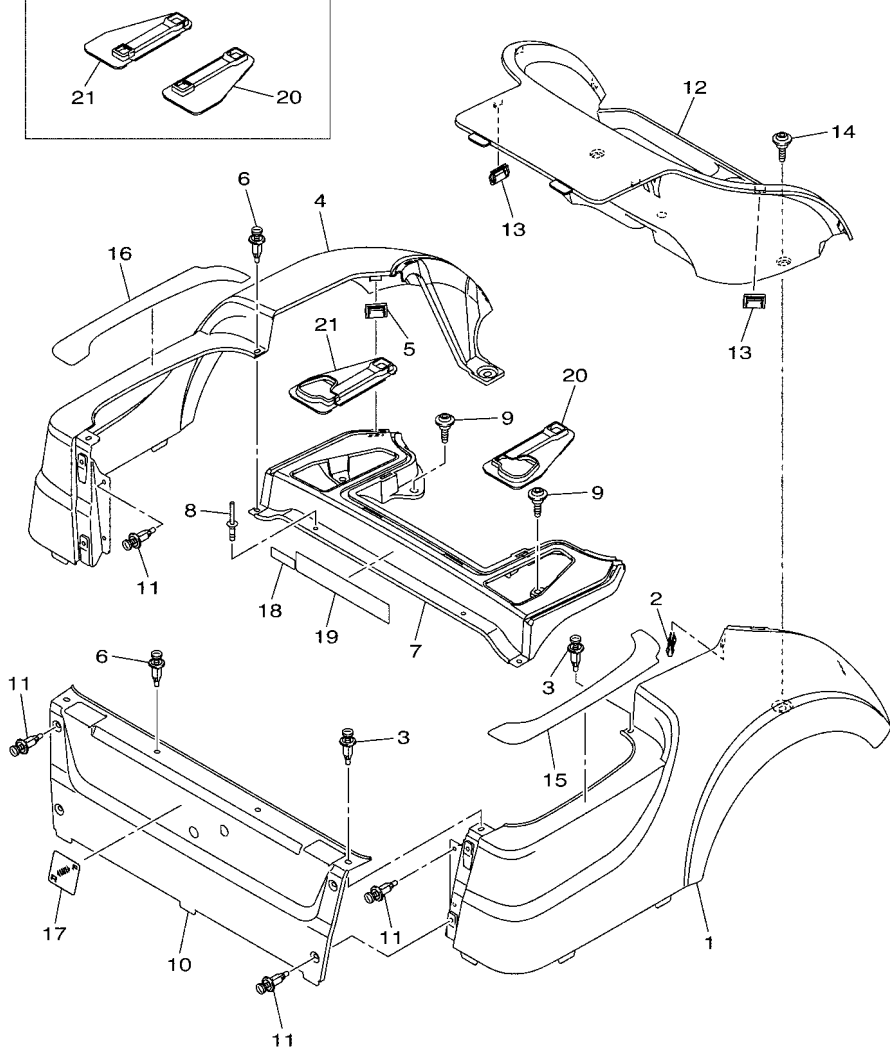


FIG. 27 BODY

REF. NO.	PART NO.	DESCRIPTION	J0A2	REMARKS
18	90269-07805	RIVET	2	
19	J0B-K8244-00	MAT, REAR BODY SIDE (RH)	1	
20	90269-07805	RIVET	2	
21	J0B-K832F-10	GROMMET, ROOF SUPPORT 1	1	WITH SUN ROOF
	J0B-K832F-00	GROMMET, ROOF SUPPORT 1	1	WITHOUT SUN ROOF
22	J0B-K832G-10	GROMMET, ROOF SUPPORT 2	1	WITH SUN ROOF
	J0B-K832G-00	GROMMET, ROOF SUPPORT 2	1	WITHOUT SUN ROOF

WITHOUT SUN ROOF

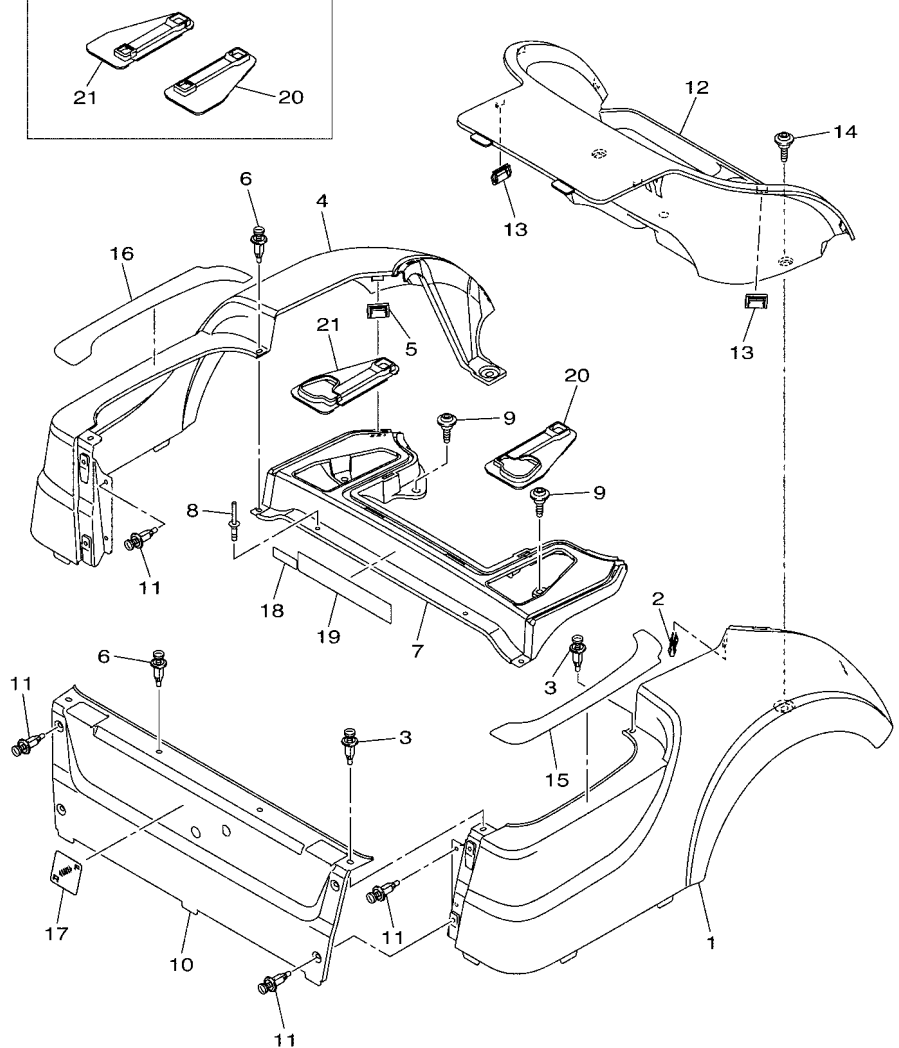


J0A1110-S270

FIG. 28 BODY 2

REF. NO.	PART NO.	DESCRIPTION	J0A2	REMARKS
1	J0B-K8111-A0	PANEL, BODY SHELL	1	UR FOR BW1
	J0B-K8111-10	PANEL, BODY SHELL	1	UR FOR VDGS1
	J0B-K8111-00	PANEL, BODY SHELL	1	UR FOR DNBME
	J0B-K8111-20	PANEL, BODY SHELL	1	UR FOR LNYM8
	J0B-K8111-30	PANEL, BODY SHELL	1	UR FOR LNMP
	J0B-K8111-40	PANEL, BODY SHELL	1	UR FOR DYNM2
	J0B-K8111-B0	PANEL, BODY SHELL	1	UR FOR NYS4
	J0B-K8111-50	PANEL, BODY SHELL	1	UR FOR HTR
	J0B-K8111-60	PANEL, BODY SHELL	1	UR FOR DNMC
2	J0B-F3447-00	CLIP	1	
3	90269-07805	RIVET	3	
4	J0B-K8112-A0	PANEL, BODY SHELL	1	UR FOR BW1
	J0B-K8112-10	PANEL, BODY SHELL	1	UR FOR VDGS1
	J0B-K8112-00	PANEL, BODY SHELL	1	UR FOR DNBME
	J0B-K8112-20	PANEL, BODY SHELL	1	UR FOR LNYM8
	J0B-K8112-30	PANEL, BODY SHELL	1	UR FOR LNMP
	J0B-K8112-40	PANEL, BODY SHELL	1	UR FOR DYNM2
	J0B-K8112-B0	PANEL, BODY SHELL	1	UR FOR NYS4
	J0B-K8112-50	PANEL, BODY SHELL	1	UR FOR HTR
	J0B-K8112-60	PANEL, BODY SHELL	1	UR FOR DNMC
5	J0B-F3447-00	CLIP	1	
6	90269-07805	RIVET	3	
7	J0B-K819H-00	SHELL, REAR BODY	1	
8	JW7-K7329-00	RIVET	2	
9	J0B-F1738-00	BOLT	4	
10	J0B-K8141-A0	PANEL, INTERMEDIATE BODY	1	UR FOR BW1
	J0B-K8141-10	PANEL, INTERMEDIATE BODY	1	UR FOR VDGS1

WITHOUT SUN ROOF

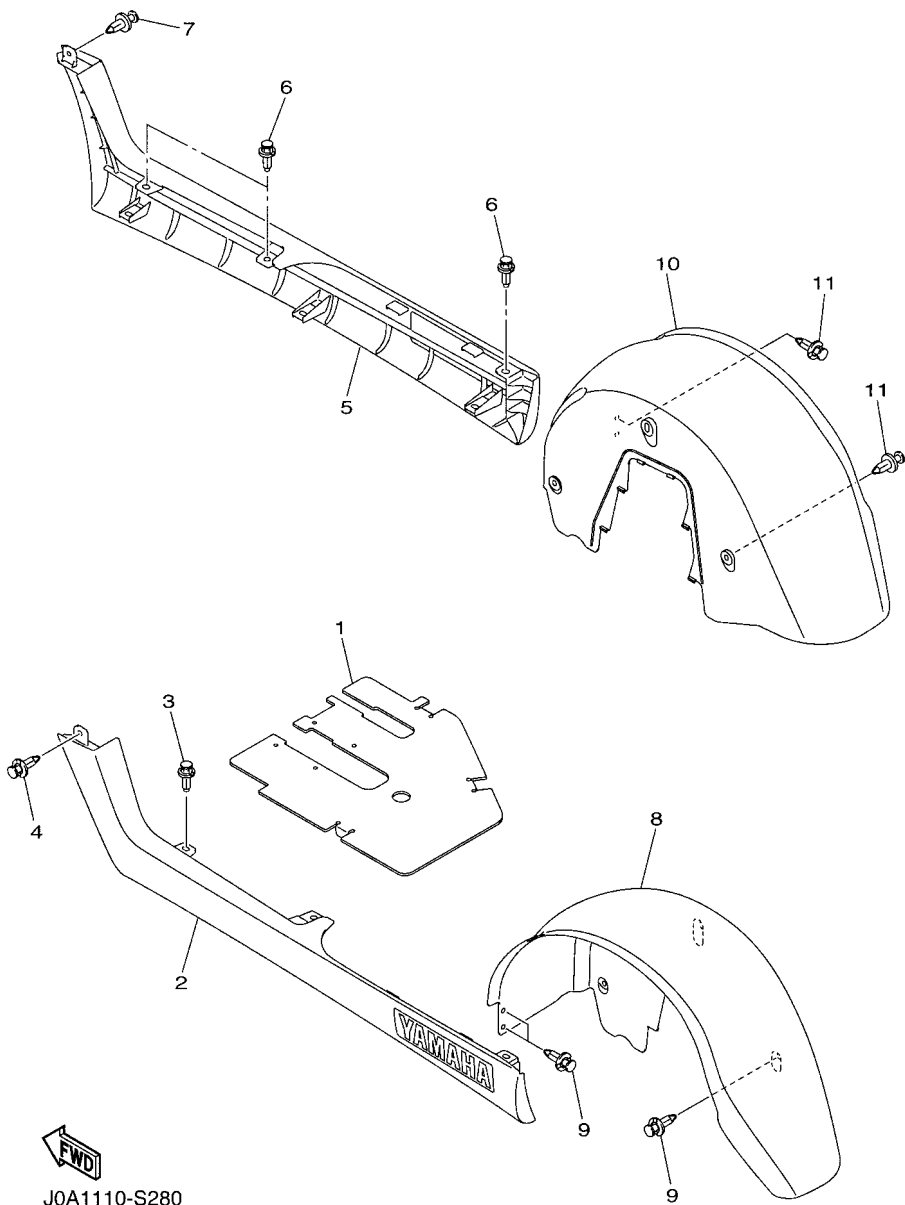


J0A1110-S270

FIG. 28 BODY 2

REF. NO.	PART NO.	DESCRIPTION	J0A2			REMARKS
10	J0B-K8141-00	PANEL, INTERMEDIATE BODY	1			UR FOR DNBME
	J0B-K8141-20	PANEL, INTERMEDIATE BODY	1			UR FOR LNYM8
	J0B-K8141-30	PANEL, INTERMEDIATE BODY	1			UR FOR LNMP
	J0B-K8141-40	PANEL, INTERMEDIATE BODY	1			UR FOR DYNM2
	J0B-K8141-B0	PANEL, INTERMEDIATE BODY	1			UR FOR NYS4
	J0B-K8141-50	PANEL, INTERMEDIATE BODY	1			UR FOR HTR
	J0B-K8141-60	PANEL, INTERMEDIATE BODY	1			UR FOR DNMC
11	90269-07805	RIVET	8			
12	J0B-K8237-02	COVER, REAR FLOOR	1			
13	J0B-F3447-00	CLIP	4			
14	J0B-F1738-00	BOLT	2			
15	J0B-F2873-01	SEAL 1	1			
16	J0B-F2874-01	SEAL 2	1			
17	JW1-K7741-00	INDICATOR 1	1			
18	JN6-H2377-00	LABEL	1			
19	JW1-K8297-20	PLATE, CAUTION 1	1			UR FOR CAN
	JW1-K8297-30	PLATE, CAUTION 1	1			UR EXCEPT FOR CAN
20	J0B-K817H-10	TRIM, SIDE PANEL 1	1			WITH SUN ROOF
	J0B-K817H-00	TRIM, SIDE PANEL 1	1			WITHOUT SUN ROOF
21	J0B-K817J-10	TRIM, SIDE PANEL 2	1			WITH SUN ROOF
	J0B-K817J-00	TRIM, SIDE PANEL 2	1			WITHOUT SUN ROOF

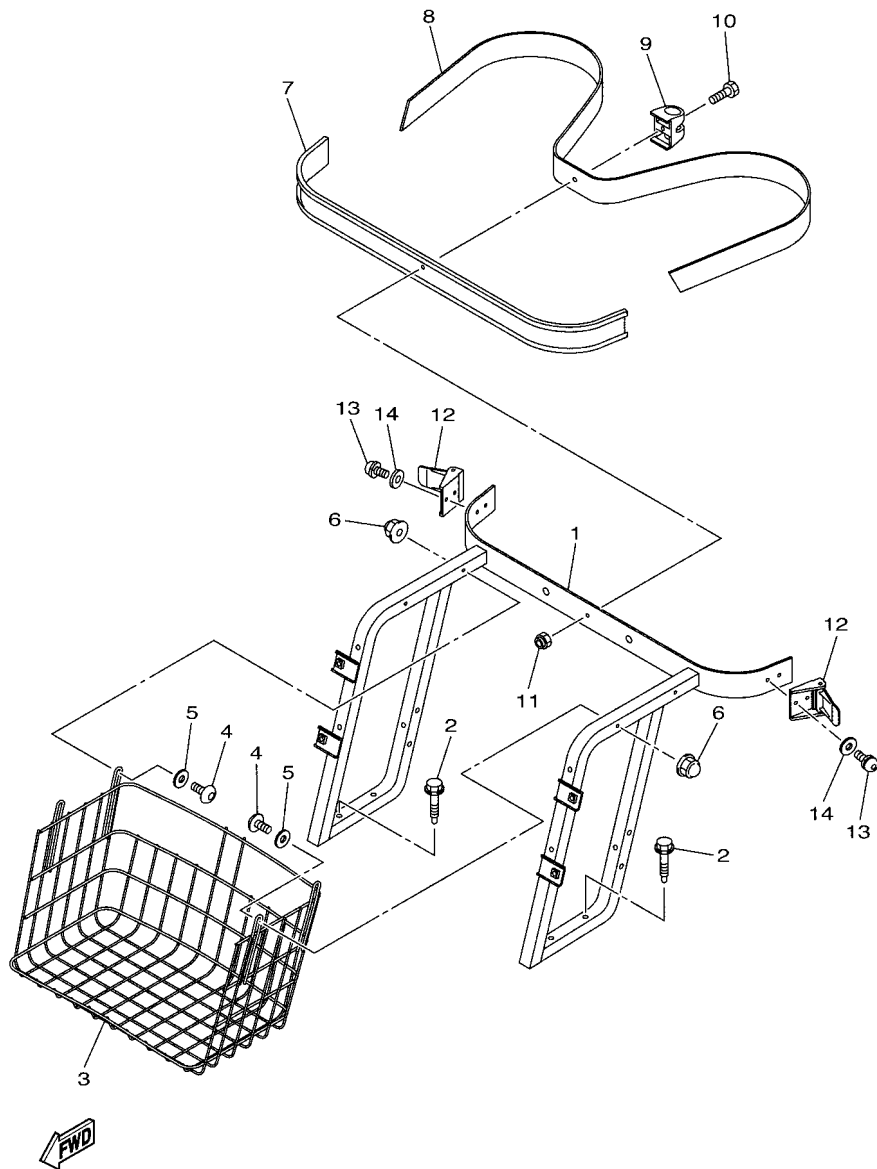
FIG. 29 BODY FITTING



J0A1110-S280

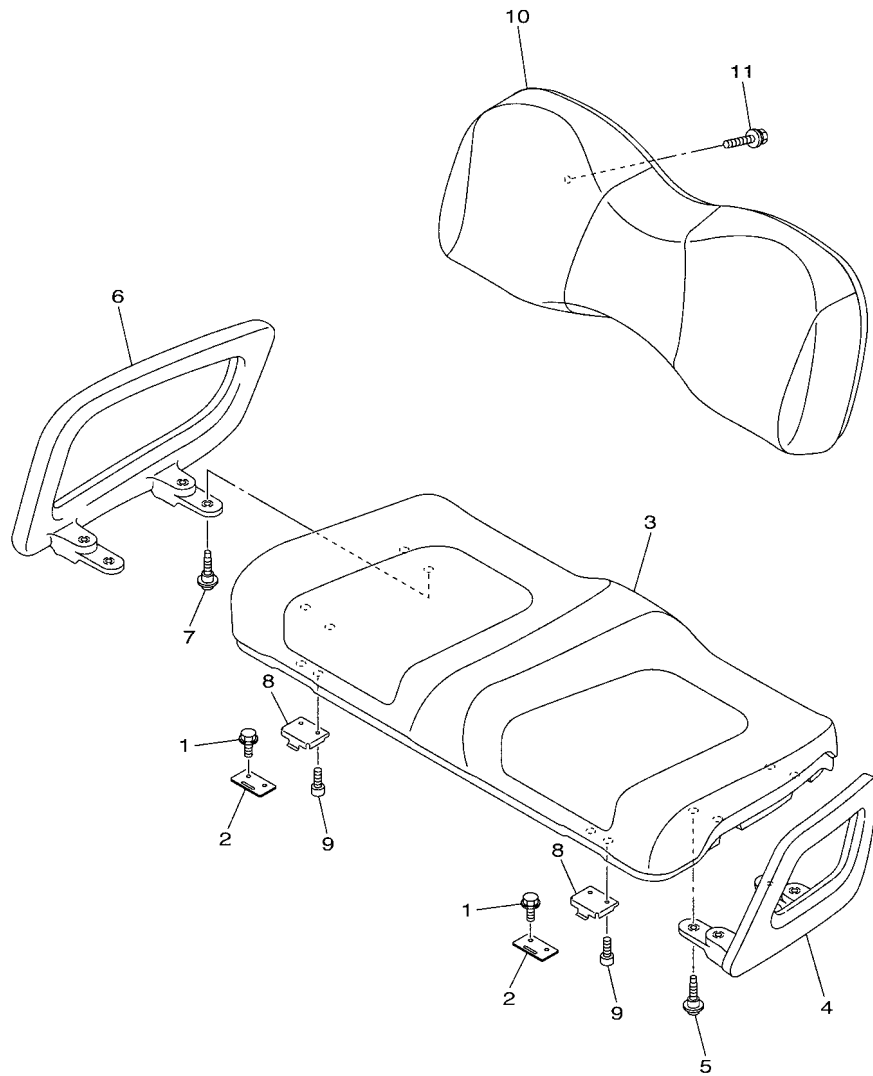
REF. NO.	PART NO.	DESCRIPTION	J0A2				REMARKS
1	J0B-K8271-00	SERVICE LID, PEDAL	1				
2	J0B-K818A-00	PROTECTOR, SIDE PLATE	1				
3	90269-09003	RIVET	3				
4	90269-06804	RIVET	1				
5	J0B-K818B-00	PROTECTOR, SIDE PLATE 2	1				
6	90269-09003	RIVET	3				
7	90269-06804	RIVET	1				
8	J0B-K8191-00	PANEL, REAR FENDER 1	1				
9	90269-06804	RIVET	5				
10	J0B-K8192-00	PANEL, REAR FENDER 2	1				
11	90269-06804	RIVET	5				

FIG. 30 CARRIER



J0B1110-S280

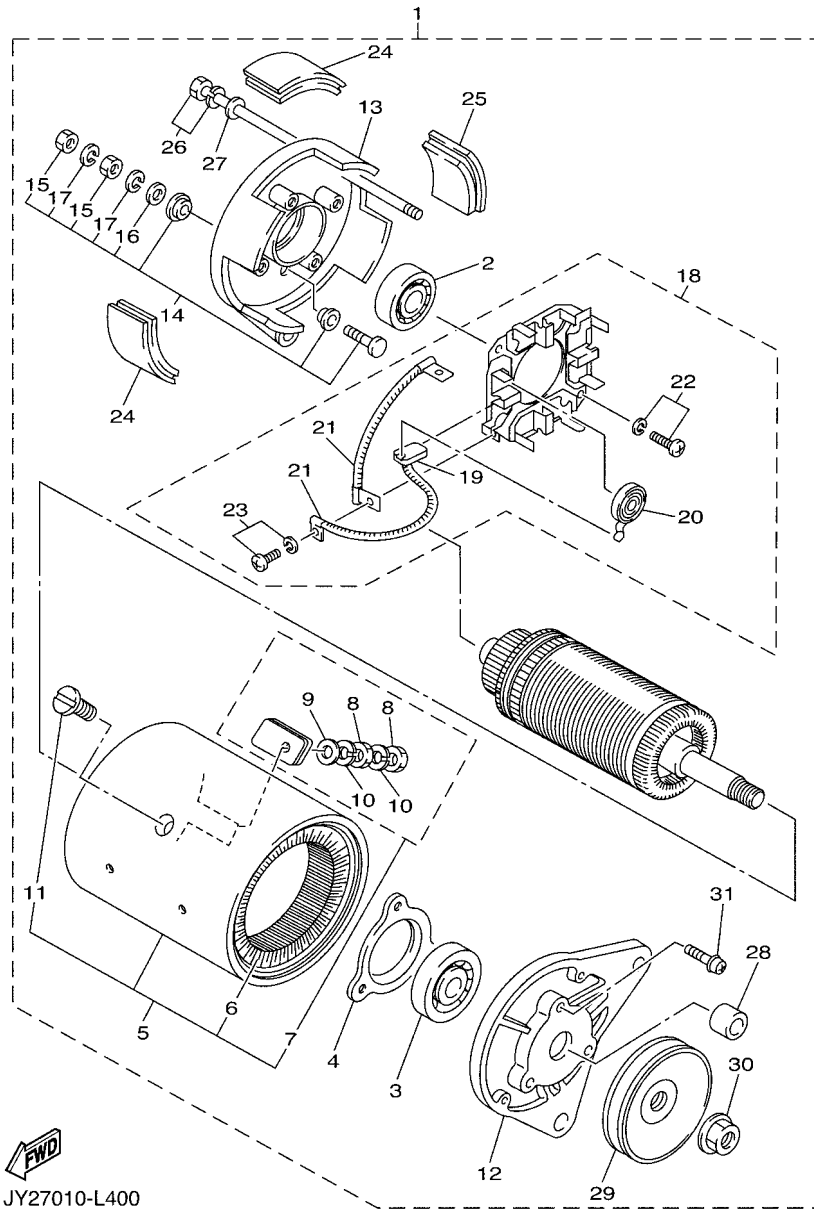
REF. NO.	PART NO.	DESCRIPTION	J0A2				REMARKS
1	J0B-K8423-00	SUPPORT, SEAT BACK	1				
2	90109-08002	BOLT	4				
3	JW1-K8340-00	LUGGAGE RACK ASSY., REAR	1				
4	92017-06040	BOLT, BUTTON HEAD	4				
5	J0B-K7389-00	WASHER	4				
6	90176-06008	NUT, CROWN	4				
7	JF2-K8356-00	PAD, BAG SUPPORT	1				
8	JN6-K8355-20	BAND	1				
9	JW1-K834G-00	HOLDER, RAKE SAND	1				
10	9708R-06020	BOLT	1				
11	90185-06836	NUT, SELF-LOCKING	1				
12	JN6-K8380-00	LOCK ASSY	2				
13	90159-06845	SCREW, WITH WASHER	4				
14	9299R-06200	WASHER	4				



J0B1110-S290

FIG. 31 SEAT

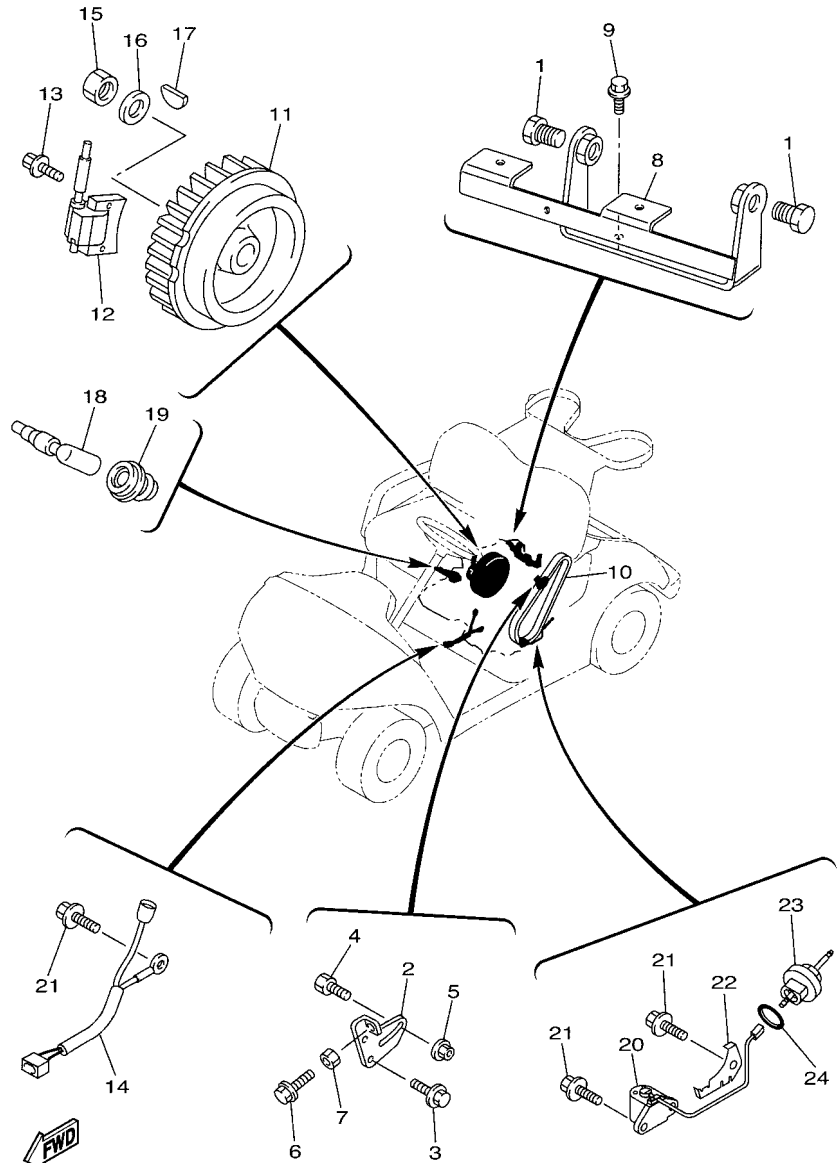
REF. NO.	PART NO.	DESCRIPTION	J0A2	REMARKS
1	JW9-H1674-00	BOLT	4	
2	JW1-K8427-00	HINGE, SEAT 2	2	
3	J0A-K8401-00	SEAT SUB-ASSY,CUSHION	1	
4	J0B-K8361-00	ARM REST 1	1	
5	J0B-F1738-00	BOLT	4	
6	J0B-K8362-00	ARM REST 2	1	
7	J0B-F1738-00	BOLT	4	
8	J0B-K8426-01	HINGE, SEAT 1	2	
9	90110-06125	BOLT, HEXAGON SOCKET HEAD	4	
10	JW1-K8402-10	SEAT SUB ASSY, BACK	1	
11	90119-06808	BOLT, WITH WASHER	4	



JY27010-L400

FIG. 32 STARTING MOTOR

REF. NO.	PART NO.	DESCRIPTION	JQA2	REMARKS
1	JN6-H1100-04	STARTER GENERATOR ASSY	1	
2	J10-H1157-10	.BEARING 1	1	
3	J10-H1158-10	.BEARING 2	1	
4	J10-81159-10	.HOLDER, BEARING	1	
5	JN6-H1110-10	.STATOR ASSY	1	
6	JN6-H1160-10	..FIELD COIL ASSY	1	
7	J10-81148-10	..SCREW SET 4	2	
8	9530N-06600	...NUT, HEX	2	
9	9290N-06600	...WASHER	1	
10	92907-06100	...WASHER, SPRING	2	
11	J10-81146-10	..SCREW 2	4	
12	JN6-H1165-00	.BRACKET, STARTER GENERATOR 1	1	
13	J10-H1166-10	.BRACKET, STARTER GENERATOR 2	1	
14	J10-81147-10	.SCREW SET 3	2	
15	9530N-06600	..NUT, HEX	2	
16	9290N-06600	..WASHER	1	
17	92907-06100	..WASHER, SPRING	2	
18	JN6-H1119-00	.BRUSH HOLDER ASSY	1	
19	JF2-H1111-00	..BRUSH	4	
20	JN6-H1113-00	..SPRING, BRUSH	4	
21	J10-81115-10	..WIRE, LEAD	2	
22	9850N-05016	..SCREW, PAN HEAD	2	
23	9850N-04010	..SCREW, PAN HEAD	4	
24	J10-81129-10	.COVER, BRUSH	3	
25	J10-81139-10	.COVER, BRUSH 2	1	
26	J10-H1145-10	..SCREW 1	2	
27	9290N-06600	..WASHER	2	



J0A1110-S320

FIG. 33 ELECTRICAL 1

REF. NO.	PART NO.	DESCRIPTION	J0A2				REMARKS
1	95812-12030	BOLT, FLANGE	2				
2	JW1-H1170-11	TENSIONER ASSY	1				
3	95822-08020	BOLT, FLANGE	2				
4	90109-08827	BOLT	1				
5	95702-08500	NUT, FLANGE	1				
6	92012-06030	BOLT, BUTTON HEAD	1				
7	95302-06600	NUT, HEXAGON	1				
8	JN6-H1171-11	BRACKET, STARTER GENERATOR	1				
9	95822-08020	BOLT, FLANGE	2				
10	JW1-H1173-02	BELT	1				
11	JR7-85650-00	ROTOR ASSY	1				
12	JN6-85640-01	T.C.I. UNIT ASSY	1				
13	95822-06025	BOLT, FLANGE	2				
14	JN6-82318-00	WIRE, SUB-LEAD	1				
15	95302-18600	NUT, HEXAGON	1				
16	90201-18620	WASHER, PLATE	1				
17	90280-04052	KEY, WOODRUFF	1				
18	JN6-82370-00	PLUG CAP ASSY	1				
19	JE8-82372-00	SEAL, PLUG CAP	1				
20	JT0-85720-00	OIL LEVEL GAUGE ASSY	1				
21	95822-06012	BOLT, FLANGE	4				
22	JT0-85724-00	CLAMP	1				
23	JT0-15362-00	PLUG, OIL LEVEL	1				
24	93210-15566	O-RING	1				

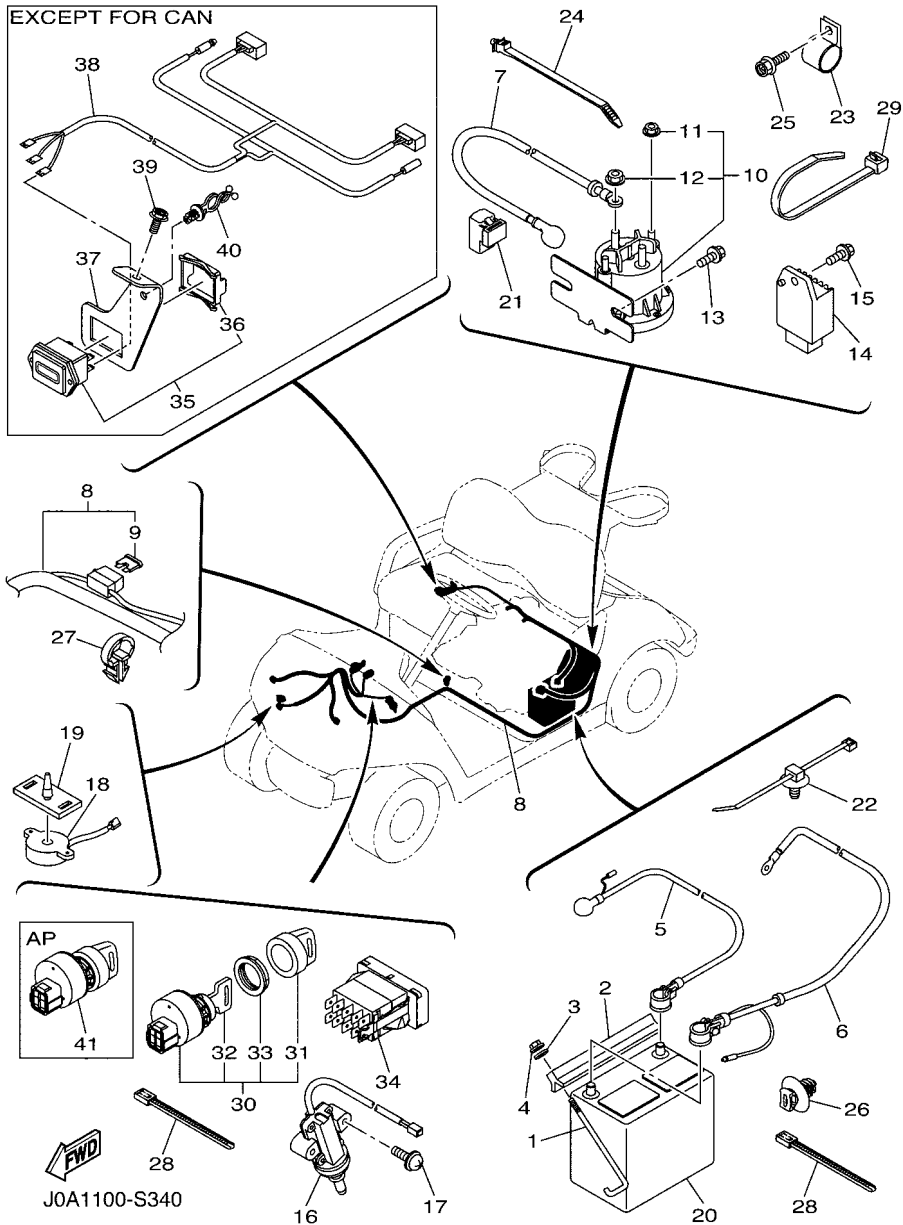


FIG. 34 ELECTRICAL 2

REF. NO.	PART NO.	DESCRIPTION	J0A2				REMARKS
1	JW1-H2133-00	SCREW, FITTING	2				
2	J55-H2136-00	PLATE, BATTERY FITTING	1				
3	92902-06200	WASHER	2				
4	95702-06500	NUT, FLANGE	2				
5	JW1-H2115-01	WIRE, PLUS LEAD	1				
6	JW1-H2116-02	WIRE, MINUS LEAD	1				
7	JW1-H2117-01	WIRE, LEAD	1				
8	J0A-H2590-00	WIRE HARNESS ASSY	1				
9	JN6-H2151-00	.FUSE (10A)	1				
10	JW1-H1950-00	RELAY ASSY	1				
11	90179-05807	.NUT	2				
12	90179-08824	.NUT	2				
13	90105-06831	BOLT, FLANGE	2				
14	JF2-81910-10	VOLTAGE REGULATOR ASSY	1				
15	90105-06870	BOLT, FLANGE	1				
16	JF7-82817-22	SWITCH	1				
17	97602-05225	SCREW, PAN HEAD WITH WASHER	2				
18	JR1-H3383-02	BUZZER	1				
19	JN6-H3386-01	STAY, BUZZER	1				
20	*	BATTERY ASSY (GC-24, 12V)	1				LM
21	4U8-81950-02	RELAY ASSY (4U8-02)	1				
22	1NS-F1338-00	CLAMP	4				
23	90461-14108	CLAMP	1				
24	90464-09823	CLAMP	1				
25	90105-08867	BOLT, FLANGE	1				
26	5UG-F2465-10	HOLDER	1				
27	90464-19815	CLAMP	1				

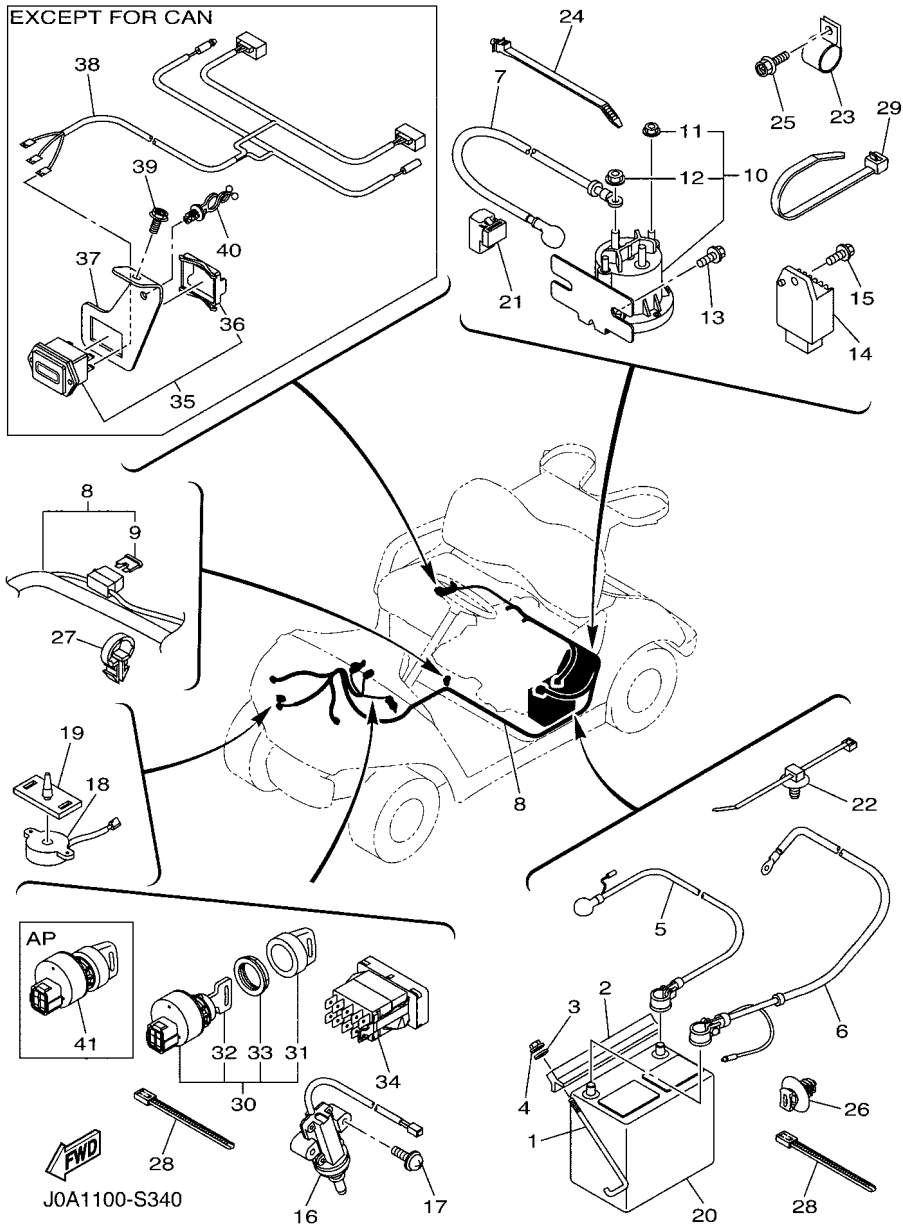


FIG. 34 ELECTRICAL 2

REF. NO.	PART NO.	DESCRIPTION	J0A2	REMARKS
28	90464-40825	CLAMP	3	
29	90464-76800	CLAMP	1	
30	JW1-H2510-00	MAIN SWITCH ASSY	1	STD
31	5UG-H2579-00	.CAP, KEY	1	
32	JU2-H2511-00	.KEY, MAIN SWITCH	2	
33	JU6-H2569-00	.NUT, MAIN SWITCH	1	
34	JW8-H3530-00	PILOT LIGHT ASSY	1	
35	JN6-H351C-10	GAUGE 1	1	EXCEPT FOR CAN
36	JW1-H1128-00	.CLAMP	1	EXCEPT FOR CAN
37	JW1-F4881-00	BRKT., METER	1	EXCEPT FOR CAN
38	JW1-H2386-10	EXTENSION, WIRE HARNESS	1	EXCEPT FOR CAN
39	90105-06831	BOLT, FLANGE	1	EXCEPT FOR CAN
40	90464-12836	CLAMP	1	EXCEPT FOR CAN
41	JU2-H2510-20	MAIN SWITCH ASSY	1	AP RANDOMKEY

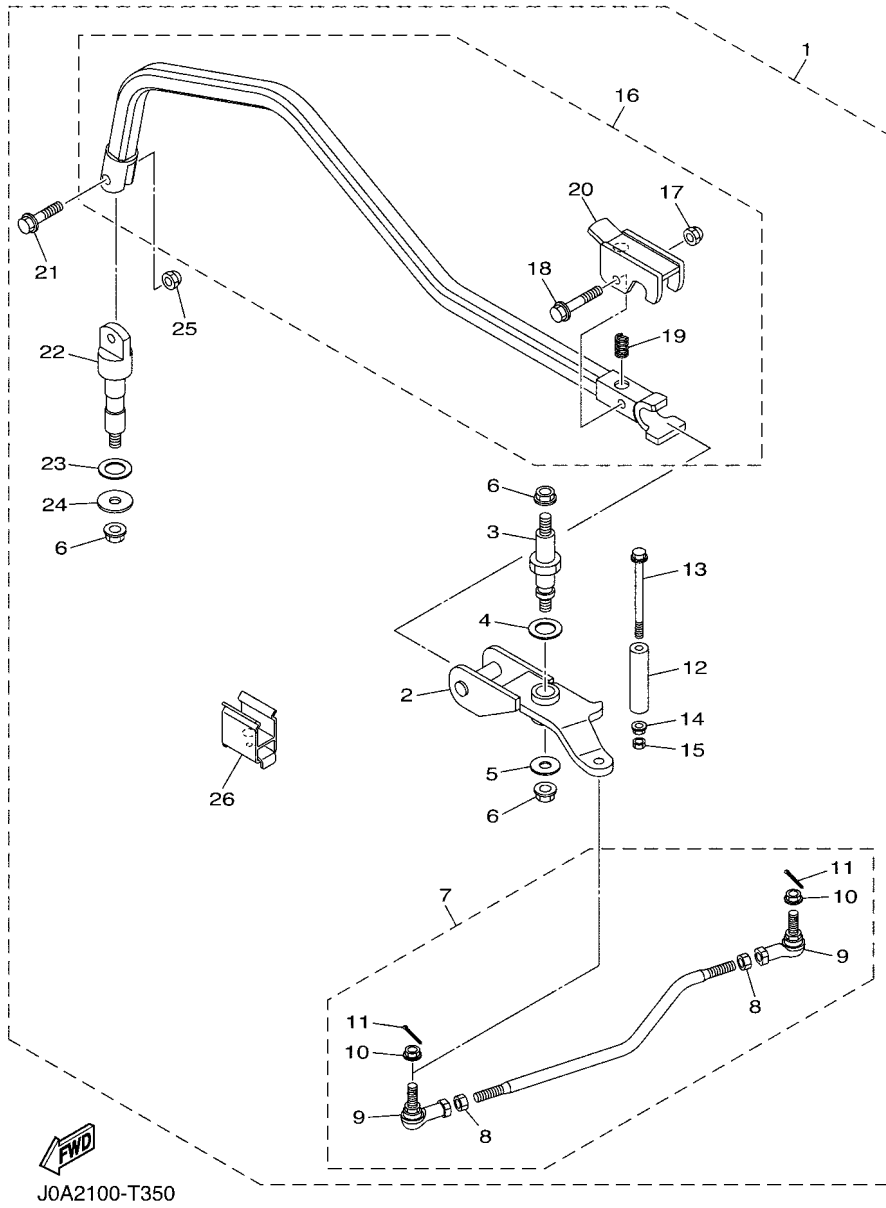
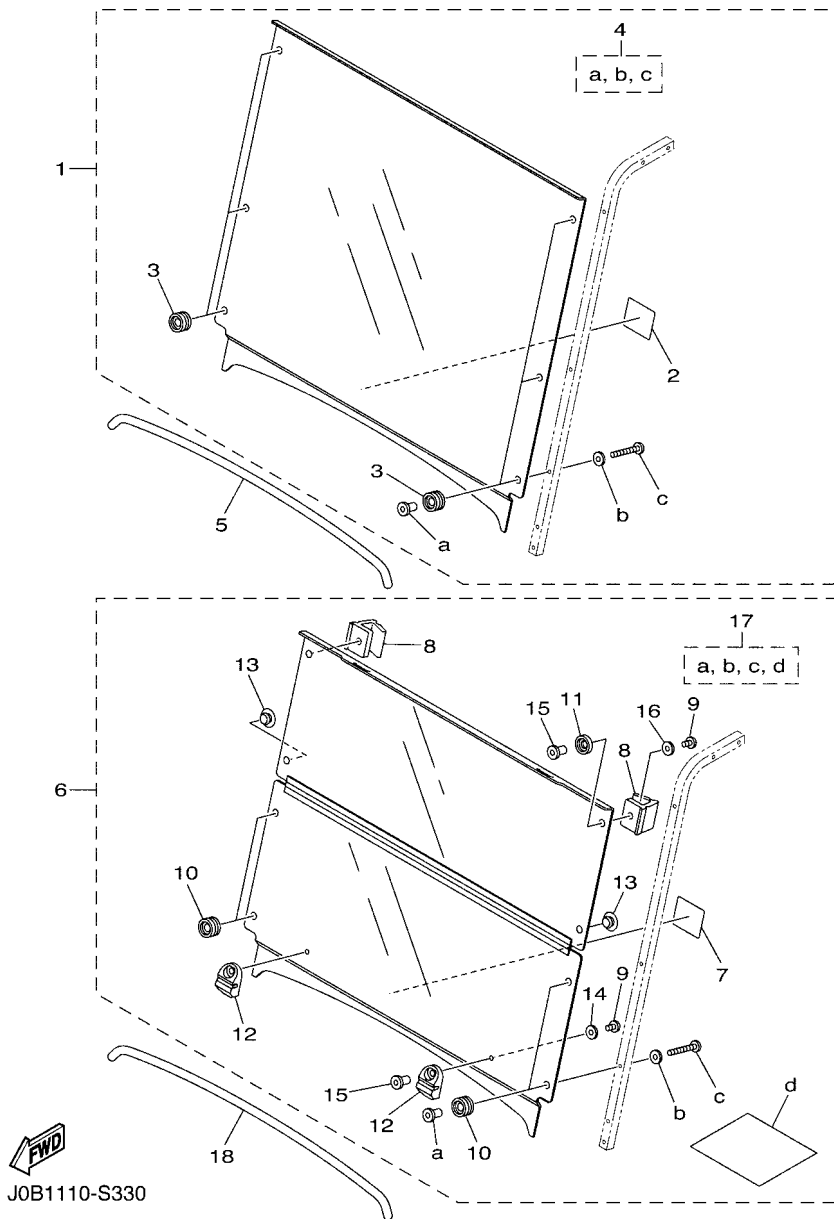


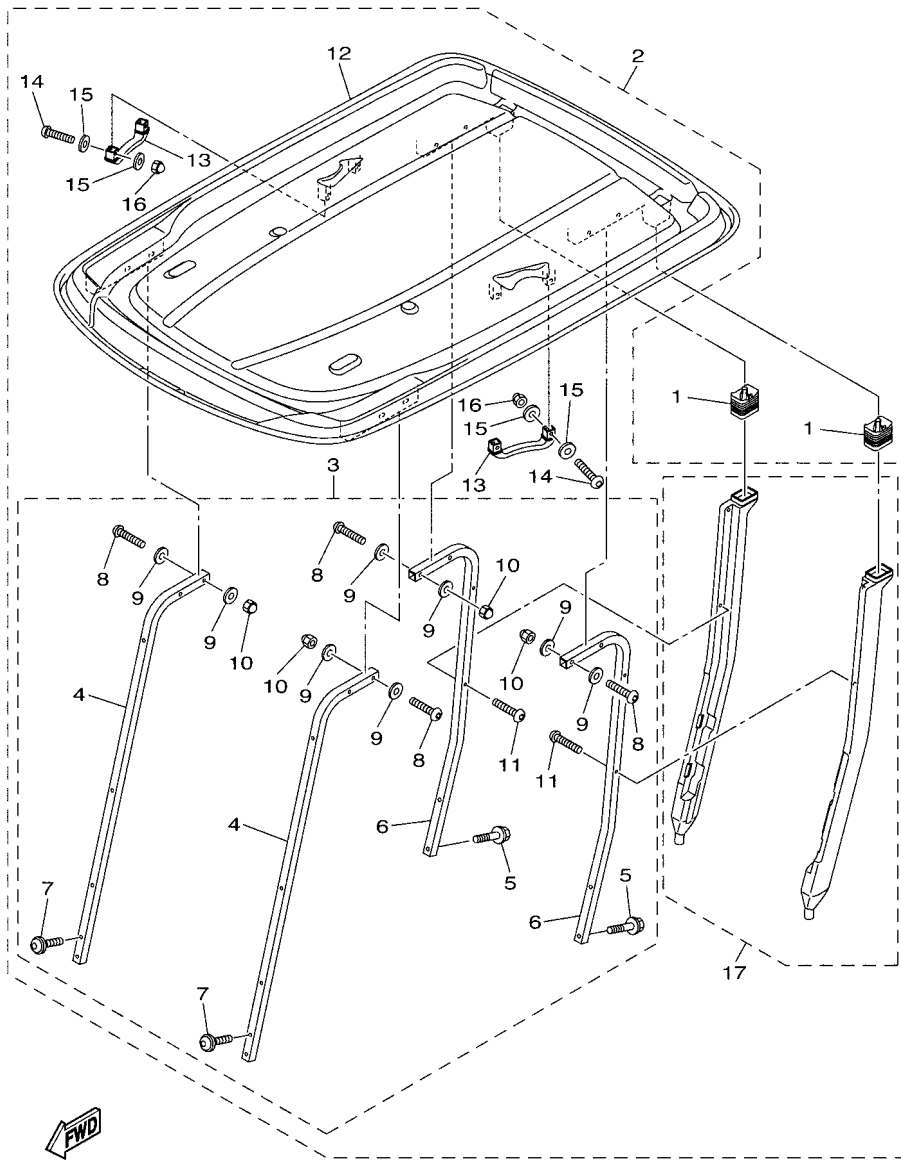
FIG. 35 ALTERNATE FOR CHASSIS

REF. NO.	PART NO.	DESCRIPTION	J0A2				REMARKS
1	J0B-F722B-00	BAR, TOW	1				
2	J0B-F389G-00	.ARM, PIVOT	1				
3	J0B-F3849-00	.SHAFT 1	1				
4	90201-208S8	.WASHER, PLATE	1				
5	J0B-F3392-00	.WASHER, SPECIAL	1				
6	95602-12200	.NUT, SELF-LOCKING	3				
7	J0B-F3880-00	.TIE ROD ASSEMBLY 3	1				
8	95302-10600	..NUT, HEXAGON	2				
9	J0B-F3841-00	..JOINT, UNIVERSAL 1	2				
10	95602-12200	..NUT, SELF-LOCKING	2				
11	91402-25020	..PIN, COTTER	2				
12	J0B-F3432-00	.STOPPER, STEERING 1	1				
13	90105-088A9	.BOLT, FLANGE	1				
14	95602-08200	.NUT, U FLANGE	1				
15	95602-08100	.NUT, U	1				
16	J0B-F389A-00	.BAR, DRAW	1				
17	J0B-F4681-00	..NUT, CAP	1				
18	95812-10050	..BOLT, FLANGE	1				
19	J0B-F178D-00	..SPRING, HOOK	1				
20	J0B-F381J-00	..BAR, HANDLE	1				
21	95802-10035	.BOLT, FLANGE	1				
22	J0B-F2141-00	.SHAFT, PIVOT	1				
23	J0B-F3418-00	.WASHER, SPECIAL	1				
24	90201-128S4	.WASHER, PLATE	1				
25	J0B-F4681-00	.NUT, CAP	1				
26	J0B-F5522-00	.HOLDER	1				

FIG. 36 ALTERNATE FOR WINDSHIELD



REF. NO.	PART NO.	DESCRIPTION	J0A2				REMARKS
1	J0B-K7200-00	WINDSHIELD ASSY	1				UR CLEAR
	J0B-K7200-10	WINDSHIELD ASSY	1				UR SMOKE
2	J0B-K7458-00	.LABEL, WARNING	1				
3	J0B-K7237-00	.GROMMET	6				
4	J0B-K7240-00	.WIND SHIELD HARDWARE KIT 1	1				
5	J0B-K7213-00	TRIM, UPPER	1				
6	J0B-K7200-20	WINDSHIELD ASSY	1				UR CLEAR
	J0B-K7200-30	WINDSHIELD ASSY	1				UR SMOKE
7	J0B-K7458-00	.LABEL, WARNING	1				
8	J0B-K7173-20	.LEVER, LATCH 1	2				
9	J0B-K7258-00	.SCREW, 2	4				
10	J0B-K7237-00	.GROMMET	4				
11	J0B-K7247-00	.GROMMET, W/S 2	2				
12	J0B-K7257-00	.GROMMET, W/S 3	2				
13	J0B-K7238-00	.DAMPER	2				
14	J0B-K7218-00	.WASHER 1	2				
15	J0B-K7217-00	.NUT, WIND SHIELD	4				
16	J0B-K7219-00	.WASHER 2	2				
17	J0B-K7240-20	.WIND SHIELD HARDWARE KIT 1	1				
18	J0B-K7213-00	TRIM, UPPER	1				



J0A2100-T370

FIG. 37 ALTERNATE FOR SUN ROOF

REF. NO.	PART NO.	DESCRIPTION	J0A2	REMARKS
1	JW1-F414G-10	SEAL	2	
2	J0B-K84A0-00	SUN TOP KIT	1	UR AP TAN
	J0B-K84A0-10	SUN TOP KIT	1	UR AP BLACK
3	J0B-K84A2-00	.HARDWARE KIT, SUN TOP	1	
4	J0B-K8312-00	..SUPPORT, SUN ROOF 1	2	
5	JW1-K8388-00	..BOLT, ROOF 1	4	
6	JW1-K8313-01	..SUPPORT, SUN ROOF 2	2	
7	J0B-K8388-00	..BOLT, ROOF 1	4	
8	JU0-K8388-00	..BOLT, ROOF 1	8	
9	JW1-F1549-01	..WASHER, FENDER MOLD	16	
10	JU0-K8398-00	..NUT, ROOF 1	8	
11	JW1-K7387-00	..SCREW	4	
12	JW1-K8314-10	..COVER, SUN ROOF	1	UR TAN
	JW1-K8314-21	..COVER, SUN ROOF	1	UR BLACK
13	JW1-K8214-00	..GRIP, HAND	2	
14	JU0-K8388-00	..BOLT, ROOF 1	4	
15	JW1-F1549-01	..WASHER, FENDER MOLD	8	
16	JU0-K8398-00	..NUT, ROOF 1	4	
17	J0B-F417A-00	..DRAIN TUBE ASSY	1	

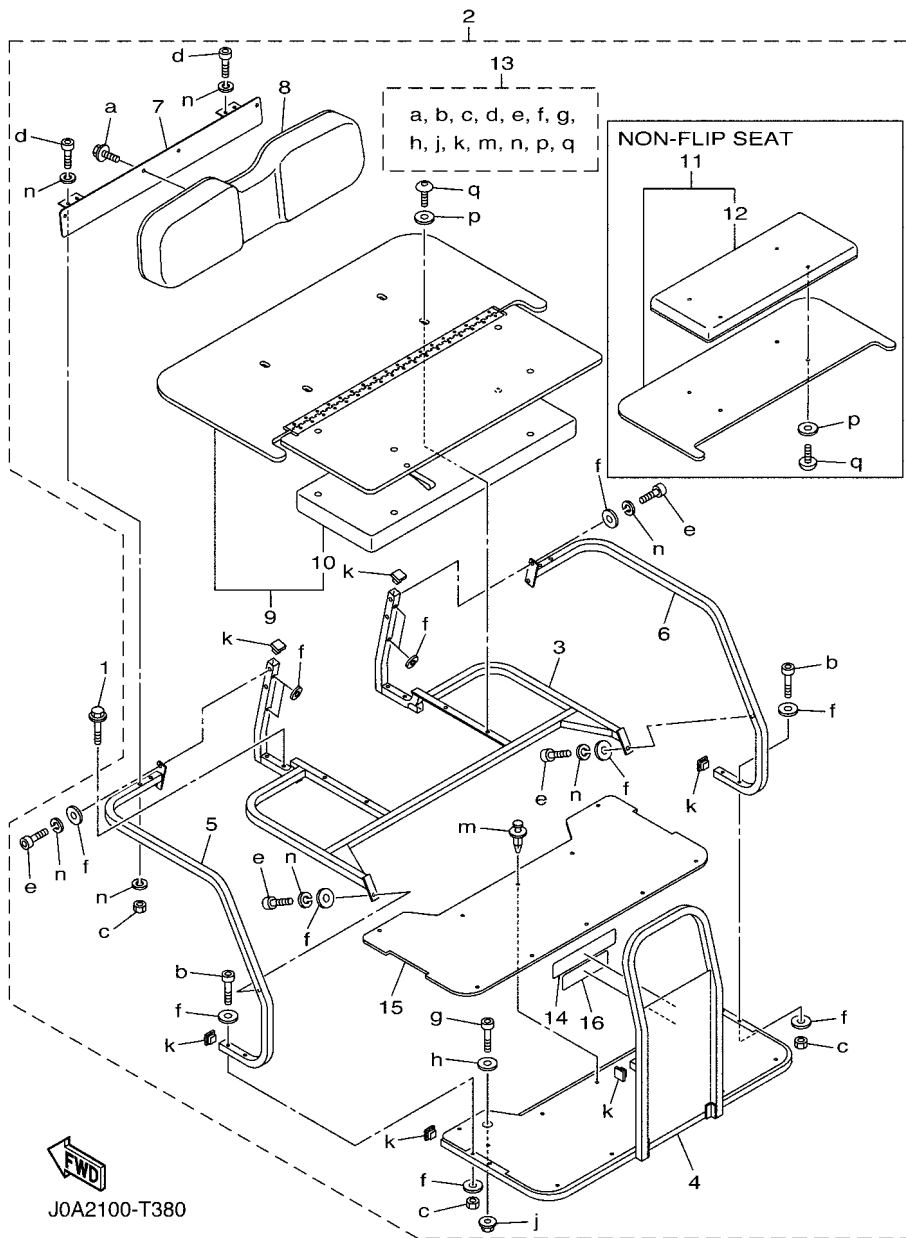


FIG. 38 ALTERNATE FOR SEAT

REF. NO.	PART NO.	DESCRIPTION	J0A2	REMARKS
1	90109-08002	BOLT	4	
2	J0B-K8476-00	4 PASSENGER SEAT COMP.	1	UR TAN FLIP
	J0B-K8410-00	SEAT ASSY	1	UR TAN NON-FLIP
	J0B-K8476-10	4 PASSENGER SEAT COMP.	1	UR BLACK FLIP
	J0B-K8410-10	SEAT ASSY	1	UR BLACK NON-FLIP
3	J0B-K8460-00	.SEAT FRAME COMP.	1	
4	J0B-K8477-00	.FLOOR ASSEMBLY	1	
5	J0B-K8473-00	.HANDRAIL ASSEMBLY (LH)	1	
6	J0B-K8474-00	.HANDRAIL ASSEMBLY (RH)	1	
7	J0B-K8432-00	.BRACKET, SEAT SUPPORT 2	1	
8	J0B-K8402-00	.SEAT SUB ASSY, BACK	1	
9	J0B-K8480-00	.SEAT BOTTOM COMPLETE 1	1	UR TAN
	J0B-K8480-10	.SEAT BOTTOM COMPLETE 1	1	UR BLACK
10	J0B-K8406-00	.REAR SEAT SUB-ASSY, CUSHION	1	UR TAN
	J0B-K8406-10	.REAR SEAT SUB-ASSY, CUSHION	1	UR BLACK
11	J0B-K8490-00	.SEAT BOTTOM COMP. ,2	1	UR TAN
	J0B-K8490-10	.SEAT BOTTOM COMP. ,2	1	UR BLACK
12	J0B-K8406-00	.REAR SEAT SUB-ASSY, CUSHION	1	UR TAN
	J0B-K8406-10	.REAR SEAT SUB-ASSY, CUSHION	1	UR BLACK
13	J0B-F47E2-00	.HARDWARE KIT, TANDEM SEAT	1	UR FLIP SEAT
	J0B-F47E2-10	.HARDWARE KIT, TANDEM SEAT	1	UR NON-FLIP SEAT
14	J0B-K8483-00	.LABEL WARNING	1	
15	J0B-K8466-00	.MAT, RUBBER	1	
16	J0B-F1696-00	.LABEL, CAUTION	1	

NUMERICAL INDEX

PART NO.	REF. NO.	PART NO.	REF. NO.	PART NO.	REF. NO.	PART NO.	REF. NO.	PART NO.	REF. NO.	PART NO.	REF. NO.
JT0-11111-00	2 - 1	7E1-14191-00	7 - 20	4U8-81950-02	34 - 21	JW1-F217G-10	11 - 10	5UG-F387J-00	14 - 18	JN6-F5118-01	13 - 29
JN6-11116-00	2 - 10	1KT-14197-01	7 - 22	JN6-82318-00	33 - 14	J0A-F2210-00	11 - 12	5UG-F387K-00	14 - 16	JW8-F5415-00	18 - 25
JN6-11133-10	2 - 2	127-14198-00	7 - 12	JN6-82318-00	33 - 18	5UG-F2465-10	34 - 26	J0B-F3880-00	35 - 7	J0B-F5522-00	35 - 26
JR7-11163-10	2 - 18	73A-14212-00	7 - 21	JE8-82372-00	33 - 19	J0A-F2501-00	12 - 1	JW1-F3894-00	14 - 25	JW9-F5666-00	18 - 12
JN6-11168-00	2 - 11	73A-14212-10	7 - 17	JN3-82617-01	24 - 17	JW8-F253B-00	12 - 4	J0B-F389A-00	35 - 16	JW9-F5671-00	18 - 5
JN6-11169-00	2 - 12	J10-14227-00	7 - 5	JF7-82817-22	34 - 16	J0B-F255G-00	12 - 2	J0B-F389G-00	35 - 2	JW9-F5672-00	18 - 4
JT0-11181-00	2 - 3	3G2-1423A-67	7 - 9	JN6-85640-01	33 - 12	J0B-F258E-00	12 - 9	JW8-F4111-20	15 - 1	JW9-F5673-00	18 - 45
JN6-11191-01	2 - 9	3G2-1423A-68-A0	7 - 9	JR7-85650-00	33 - 11	J0B-F2873-01	28 - 15	JW8-F4111-30	16 - 1	JW8-F5681-10	17 - 5
JN6-11193-00	2 - 13	3G2-1423E-33-A0	7 - 9	JT0-85720-00	33 - 20	J0B-F2874-01	28 - 16	JW1-F4112-00	15 - 5	JN6-F5685-01	17 - 6
812-11198-00	9 - 10	JN6-14291-00	7 - 4	JT0-85724-00	33 - 22	JW7-F312H-00	15 - 18	JW1-F414G-10	37 - 1	JW8-F6311-20	18 - 50
JN6-11400-00	3 - 1	3B4-14424-00	6 - 15	JW1-E1116-00	2 - 16	JW1-E1116-00	16 - 16	J0B-F4161-00	27 - 2	JW8-F6312-21	6 - 18
JN6-11454-10	3 - 8	7KY-14613-01	8 - 3	JN6-E1166-00	2 - 20	JW1-F3183-00	14 - 12	JW8-F4170-01	15 - 20	JW8-F6314-00	18 - 21
JR7-11610-00	3 - 3	1WG-14922-00	7 - 16	JW1-E1166-00	2 - 15	JW8-F3183-00	18 - 16	J0B-F417A-00	37 - 17	JW1-F6331-01	6 - 19
JR7-11610-10	3 - 3	JN6-1495H-3B	7 - 7	JU0-E3586-01	6 - 14	J0A-F3350-00	13 - 14	J0B-F419A-00	15 - 26	JU0-F6333-00	6 - 20
JR7-11610-20	3 - 3	JR7-15100-03	9 - 1	JU0-E4411-00	6 - 10	J0A-F3390-00	13 - 19	JW8-F6341-10	15 - 2	JW8-F6341-10	17 - 1
JR7-11631-00-A0	3 - 2	JR7-15123-00	9 - 4	JU0-E4412-00	6 - 11	J0B-F3392-00	35 - 5	JW1-F4300-10	16 - 2	JW8-F6351-10	17 - 2
583-11633-00	3 - 4	JN6-15155-10	9 - 2	JU0-E4429-00	6 - 17	JW1-F3394-00	15 - 11	JW1-F4311-00	15 - 14	JW8-F639L-00	18 - 22
JR7-11635-00	3 - 2	J38-15361-00	9 - 22	JU0-E4450-01	6 - 12	JU0-E4450-01	16 - 9	JW8-F639N-00	16 - 12	JW8-F639N-00	18 - 9
JR7-11636-00	3 - 2	JT0-15362-00	33 - 23	JU0-E445E-00	6 - 13	JW1-F3400-00	14 - 10	JW7-F4311-00	15 - 12	JW8-F7113-00	18 - 11
JN6-11650-10	3 - 6	796-15363-01	9 - 20	JU0-E4561-00	6 - 16	J0B-F3418-00	35 - 23	JW1-F4313-01	16 - 10	JW8-F7117-00	18 - 6
JN6-11654-10	3 - 7	JN6-15411-01	9 - 12	JW8-E4710-01	8 - 1	J0B-F3432-00	35 - 12	JW1-F4313-01	15 - 15	JW8-F7118-00	18 - 41
JN6-12111-10	4 - 2	JY2-15451-00	9 - 16	JW1-E4713-00	8 - 4	J0B-F3447-00	28 - 2	JW8-F7119-00	16 - 13	JW8-F7119-00	18 - 28
J38-12117-01	4 - 6	JR6-19001-00	1 - 1	7CT-E4997-00	7 - 10	JW1-E4713-00	28 - 5	J0B-F4314-00	15 - 23	JW8-F7121-00	18 - 13
J38-12118-00	4 - 7	JT0-21481-00	10 - 3	JW1-E5407-00	9 - 3	JW1-E4713-00	28 - 13	JW1-F4314-00	15 - 16	JW9-F7200-21	18 - 2
4G0-12119-00	4 - 13	401-22128-01	13 - 16	JW8-E7688-00	22 - 7	5UG-F3489-00	14 - 20	JW7-F4311-00	16 - 14	JW8-F7213-20	18 - 34
7RH-12121-10	4 - 3	2NL-23448-00	13 - 9	J0B-F125J-00	12 - 16	JU0-F3511-10	13 - 4	J0B-F4316-00	15 - 24	JW8-F7217-00	18 - 32
JN6-12151-10	4 - 8	2NL-23517-00	13 - 11	1NS-F1338-00	34 - 22	JW1-F3512-00	13 - 5	JW1-F4317-00	15 - 25	JW8-F7218-00	18 - 10
JN6-12153-10	4 - 4	2HR-23526-00	13 - 3	JW8-F135J-00	21 - 7	JU0-F3521-10	13 - 12	JU5-F4375-00	15 - 3	JW9-F7221-00	18 - 14
JR7-12154-10	4 - 12	JW8-23841-01	14 - 27	JW8-F1436-00	8 - 2	5UG-F3527-00	14 - 21	JW8-F7228-00	15 - 6	JW9-F7228-00	18 - 23
J38-12156-20	4 - 11	4WM-24180-00	15 - 21	JW1-F1549-01	37 - 9	J0B-F3570-10	13 - 1	J0B-F722B-00	16 - 3	J0B-F722B-00	35 - 1
22F-12159-10	4 - 9	J38-27204-00	19 - 15	JW1-F1549-01	37 - 9	JW1-F3811-03	14 - 1	JN6-F4410-11	15 - 10	JU0-F722H-00	23 - 6
JR7-12180-10	4 - 1	J38-27205-00	19 - 4	J0B-F1696-00	37 - 15	JW1-F3812-00	14 - 13	JW8-F4486-00	16 - 8	JW9-F7231-10	18 - 18
JN6-12616-00	5 - 3	J55-27260-00	19 - 9	J0B-F1738-00	12 - 6	J0B-F381J-00	35 - 20	JW9-F7232-00	18 - 44	JW9-F7232-00	18 - 19
JN6-12621-02	5 - 1	J55-27270-00	19 - 20	J0B-F1738-00	12 - 6	JW1-F3822-01	14 - 29	JU0-F723F-00	18 - 48	JU0-F723F-00	23 - 37
JR7-12634-00	5 - 11	J10-27282-00	19 - 6	JW1-F1738-00	15 - 8	JU0-F3828-10	14 - 4	JN6-F4560-00	15 - 13	JW9-F7245-10	18 - 30
JN6-12651-01	5 - 5	J38-27951-00	20 - 1	JW1-F1738-00	16 - 6	1P0-F3833-00	14 - 26	JW9-F7246-20	16 - 11	JW9-F7246-20	18 - 46
JN6-12652-00	5 - 7	J38-27959-00	20 - 5	JW1-F1738-00	16 - 6	JW1-F3837-00	14 - 22	JN6-F4610-00	16 - 4	JW8-F7280-00	19 - 13
JR7-12658-00	5 - 6	B88-2817K-00	15 - 7	JW1-F1738-00	16 - 6	J0A-F3838-00	14 - 6	JW1-F4610-00	15 - 4	JW8-F7281-00	19 - 5
JX4-12691-00	5 - 9	J10-81115-10	32 - 21	JW1-F1738-00	16 - 6	J0B-F3841-00	35 - 9	JW1-F467K-00	14 - 23	JW8-F7281-00	19 - 16
JN6-13567-00	6 - 3	J10-81129-10	32 - 24	JW1-F1738-00	16 - 6	5UG-F3844-00	14 - 19	J0B-F4681-00	35 - 17	JW8-F7286-00	19 - 10
JN6-13595-00	6 - 1	J10-81139-10	32 - 25	JW1-F1738-00	16 - 6	J0B-F3849-00	35 - 3	JW8-F7286-00	35 - 25	JW8-F7286-00	19 - 21
JR6-14101-02	7 - 1	J10-81146-10	32 - 11	JW1-F1738-00	16 - 6	J0B-F3857-11	14 - 3	J0B-F47E2-00	38 - 13	JW8-F7290-00	19 - 2
732-14142-65-A0	7 - 6	J10-81147-10	32 - 14	J0B-F178D-00	35 - 19	JU0-F3857-11	14 - 5	J0B-F47E2-10	38 - 13	JW8-F7316-01	18 - 31
73A-1414G-00	7 - 8	J10-81148-10	32 - 7	J0A-F2110-00	11 - 1	JW1-F3866-00	14 - 24	JW8-F47E3-00	23 - 20	JW8-F7317-00	18 - 40
JN5-14150-00	7 - 14	J10-81159-10	32 - 4	JN6-F2123-10	11 - 2	JW1-F387A-00	14 - 11	JW1-F4881-00	34 - 37	JW8-F7318-00	18 - 20
7R1-14162-00	7 - 13	JF2-81910-10	34 - 14	JN6-F2124-10	11 - 6	JW1-F387E-00	14 - 14	JW1-F5100-01	25 - 1	JW8-F7322-00	18 - 15
JN6-14185-00	7 - 11			J0B-F2127-00	12 - 11	5UG-F387F-00	14 - 17	JW8-F5103-00	13 - 21	J0A-F7411-00	12 - 5
22F-14186-00	7 - 15			J0B-F2141-00	35 - 22	5UG-F387G-00	14 - 15	JW8-F5118-00	23 - 61	JW8-F7416-00	18 - 8

NUMERICAL INDEX

PART NO.	REF. NO.	PART NO.	REF. NO.	PART NO.	REF. NO.	PART NO.	REF. NO.	PART NO.	REF. NO.	PART NO.	REF. NO.
JW8-F7426-01	18 - 17	JW8-G6253-00	21 - 5	JN6-H1161-00	32 - 29	JW7-K7329-00	28 - 8	JOB-K8141-40	28 - 10	JW1-K8388-00	37 - 5
JW8-F7434-00	18 - 39	JW8-G6260-23	22 - 2	JN6-H1165-00	32 - 12	JOB-K7363-00	14 - 36	JOB-K8141-50	28 - 10	JU0-K8398-00	37 - 10
JW8-F7438-00	18 - 38	JW8-G6270-21	22 - 3	JN6-H1165-00	32 - 13	JOB-K7387-00	14 - 34	JOB-K8141-60	28 - 10		37 - 16
JW8-F7445-31	18 - 33	JW8-G6275-10	22 - 11	JW1-H1170-11	33 - 2	JW1-K7387-00	37 - 11	JOB-K8141-A0	28 - 10	J0A-K8401-00	31 - 3
JW8-F7814-21	18 - 3	JW8-G6284-10	22 - 6	JN6-H1171-11	33 - 8	JOB-K7389-00	30 - 5	JOB-K8141-B0	28 - 10	JOB-K8402-00	38 - 8
	18 - 43	J0A-G6300-00	19 - 1	JW1-H1173-02	33 - 10	JOB-K7458-00	36 - 2	JOB-K8164-00	26 - 2	JW1-K8402-10	31 - 10
JW8-F7825-01	18 - 27		23 - 1	JN3-H1661-00	32 - 28		36 - 7	JOB-K816M-00	12 - 12	JOB-K8406-00	38 - 10
JW8-F7850-31	18 - 1	JW8-G6313-10	23 - 9	JW9-H1674-00	31 - 1	JOB-K7510-01	26 - 1	JOB-K817H-00	28 - 20		38 - 12
JW8-F7853-10	18 - 35	JW8-G6314-00	23 - 32	JW1-H1950-00	34 - 10	JOB-K7540-00	26 - 7	JOB-K817H-10	28 - 20	JOB-K8406-10	38 - 10
JW9-F7871-10	18 - 36	JN3-G6316-00	23 - 23	JW1-H2115-01	34 - 5	JU0-K7573-00	27 - 3	JOB-K817J-00	28 - 21		38 - 12
JW8-F7872-30	18 - 37	JU0-G631A-00	23 - 31	JW1-H2116-02	34 - 6	JW1-K7741-00	28 - 17	JOB-K817J-10	28 - 21	JOB-K8410-00	38 - 2
JW8-F815H-01	18 - 42	JW8-G6320-00	23 - 7	JW1-H2117-01	34 - 7	JOB-K7762-10	14 - 38	JOB-K818A-00	29 - 2	JOB-K8410-10	38 - 2
JW8-F8319-00	18 - 29	JN3-G6326-00	23 - 24	JW1-H2133-00	34 - 1	JOB-K7762-20	14 - 38	JOB-K818B-00	29 - 5	JOB-K8423-00	30 - 1
JW8-F8323-00	18 - 24	JN3-G6327-00	23 - 29	J55-H2136-00	34 - 2	JOB-K7768-00	27 - 8	JOB-K8191-00	29 - 8	JOB-K8426-01	31 - 8
JW8-F8331-00	18 - 47	JW8-G633E-00	23 - 5	JN6-H2151-00	34 - 9	JOB-K7768-10	27 - 8	JOB-K8192-00	29 - 10	JW1-K8427-00	31 - 2
JW8-F8363-00	18 - 7	JN3-G633G-00	23 - 25	JOB-H2370-00	27 - 13	JOB-K7768-20	27 - 8	JOB-K819H-00	28 - 7	JOB-K8432-00	38 - 7
JW8-G1661-00	23 - 30	JN3-G6344-00	23 - 4	JN6-H2377-00	28 - 18	JOB-K8111-00	28 - 1	JW1-K8214-00	37 - 13	JOB-K8460-00	38 - 3
JW8-G2181-00	18 - 55	JN3-G6355-00	23 - 57	JW1-H2386-10	34 - 38	JOB-K8111-10	28 - 1	JOB-K821A-00	12 - 15	JOB-K8466-00	38 - 15
JW8-G2535-00	23 - 58	JN3-G6356-00	23 - 18	JW1-H2510-00	34 - 30	JOB-K8111-20	28 - 1	JOB-K8233-00	27 - 14	JOB-K8473-00	38 - 5
JW8-G2536-00	23 - 59	JW8-G6371-10	24 - 3	JU2-H2510-20	34 - 41	JOB-K8111-30	28 - 1	JOB-K8237-02	28 - 12	JOB-K8474-00	38 - 6
JW8-G2541-00	23 - 62	JOB-G6372-10	24 - 15	JU2-H2511-00	34 - 32	JOB-K8111-40	28 - 1	JOB-K8243-00	27 - 17	JOB-K8476-00	38 - 2
JW8-G4178-00	23 - 51	JW8-G6374-00	22 - 10	JU6-H2569-00	34 - 33	JOB-K8111-50	28 - 1	JOB-K8244-00	27 - 19	JOB-K8476-10	38 - 2
JW8-G4189-00	21 - 6	JN3-G6376-00	24 - 10	5UG-H2579-00	34 - 31	JOB-K8111-60	28 - 1	JOB-K8271-00	29 - 1	JOB-K8477-00	38 - 4
JW8-G5244-00	23 - 52	JU0-G6376-00	23 - 11	J0A-H2590-00	34 - 8	JOB-K8111-A0	28 - 1	JOB-K8273-10	27 - 16	JOB-K8480-00	38 - 9
JW8-G5282-00	21 - 18	JN3-G6381-00	24 - 9	JR1-H3383-02	34 - 18	JOB-K8111-B0	28 - 1	JOB-K8282-10	27 - 9	JOB-K8480-10	38 - 9
JW8-G5378-00	23 - 41	JOB-G6382-00	24 - 5	JN6-H3386-01	34 - 19	JOB-K8112-00	28 - 4	JW1-K8297-20	28 - 19	JOB-K8483-00	38 - 14
JW8-G5531-00	22 - 9	JW8-G6383-10	24 - 4	JN6-H351C-10	34 - 35	JOB-K8112-10	28 - 4	JW1-K8297-30	28 - 19	JOB-K8490-00	38 - 11
JW8-G5618-00	21 - 10	JW8-G638A-00	23 - 28	JW8-H3530-00	34 - 34	JOB-K8112-20	28 - 4	JOB-K8312-00	37 - 4	JOB-K8490-10	38 - 11
	21 - 15	JN6-G638E-00	23 - 27	JOB-K7115-00	14 - 37	JOB-K8112-30	28 - 4	JW1-K8313-01	37 - 6	JOB-K84A0-00	37 - 2
JW8-G5621-00	21 - 16	JN6-G6410-00	23 - 54	JOB-K7173-20	36 - 8	JOB-K8112-40	28 - 4	JW1-K8314-10	37 - 12	JOB-K84A0-10	37 - 2
JW8-G5677-00	22 - 12	JN3-G6432-00	23 - 33	JOB-K7200-00	36 - 1	JOB-K8112-50	28 - 4	JW1-K8314-21	37 - 12	JOB-K84A2-00	37 - 3
JW8-G5697-20	22 - 15	JN3-G6511-00	23 - 44	JOB-K7200-10	36 - 1	JOB-K8112-60	28 - 4	JOB-K832F-00	27 - 21	JN9-W2536-00	19 - 3
JN3-G6153-00	23 - 26	JN3-G6512-00	23 - 45	JOB-K7200-20	36 - 6	JOB-K8112-A0	28 - 4	JOB-K832F-10	27 - 21		19 - 14
JW8-G6159-00	22 - 8	JW8-G6514-00	23 - 50	JOB-K7200-30	36 - 6	JOB-K8112-B0	28 - 4	JOB-K832G-00	27 - 22	90101-08855	23 - 42
JU0-G6164-00	23 - 35	JW8-G6521-00	23 - 60	JOB-K7213-00	36 - 5	JOB-K8114-01	27 - 6	JOB-K832G-10	27 - 22	90101-08856	23 - 34
JOB-G6201-01	21 - 1	JW8-G6555-00	23 - 10		36 - 18	JOB-K8115-00	27 - 1	JW1-K8340-00	30 - 3	90101-10854	23 - 55
JW8-G6202-23	22 - 1	JW8-G7339-00	21 - 20	JOB-K7217-00	36 - 15	JOB-K8115-10	27 - 1	JW1-K834G-00	30 - 9	90105-06831	12 - 13
JW8-G6205-22	21 - 9	JW8-G8330-10	24 - 2	JOB-K7218-00	36 - 14	JOB-K8115-20	27 - 1	JN6-K8355-20	30 - 8		24 - 16
JW8-G6210-01	21 - 2	JN6-H1100-04	32 - 1	JOB-K7219-00	36 - 16	JOB-K8115-30	27 - 1	JF2-K8356-00	30 - 7		27 - 4
JOB-G6220-01	21 - 3	JN6-H1110-10	32 - 5	JOB-K7237-00	36 - 3	JOB-K8115-40	27 - 1	JOB-K8357-00	14 - 32		34 - 13
JOB-G6231-00	21 - 17	JF2-H1111-00	32 - 19		36 - 10	JOB-K8115-50	27 - 1	JOB-K8358-00	14 - 33		34 - 39
JW8-G6236-20	21 - 12	JN6-H1113-00	32 - 20	JOB-K7238-00	36 - 13	JOB-K8115-60	27 - 1	JOB-K835E-00	27 - 10	90105-06870	34 - 15
JW8-G6237-20	21 - 13	JN6-H1119-00	32 - 18	JOB-K7240-00	36 - 4	JOB-K8115-A0	27 - 1	JOB-K8361-00	31 - 4	90105-08260	22 - 14
J55-G6241-02	21 - 21	JW1-H1128-00	34 - 36	JOB-K7240-20	36 - 17	JOB-K8115-B0	27 - 1	JOB-K8362-00	31 - 6	90105-08859	23 - 16
JW8-G6249-00	21 - 19	J10-H1145-10	32 - 26	JOB-K7247-00	36 - 11	JOB-K8141-00	28 - 10	JN6-K8380-00	30 - 12	90105-08867	12 - 10
JW8-G624A-00	21 - 4	J10-H1157-10	32 - 2	JOB-K7257-00	36 - 12	JOB-K8141-10	28 - 10	JOB-K8388-00	37 - 7		12 - 18
JW8-G624B-00	22 - 5	J10-H1158-10	32 - 3	JOB-K7258-00	36 - 9	JOB-K8141-20	28 - 10	JU0-K8388-00	37 - 8		34 - 25
JW8-G6251-21	21 - 8	JN6-H1160-10	32 - 6	JW7-K7329-00	15 - 27	JOB-K8141-30	28 - 10		37 - 14	90105-088A9	35 - 13

NUMERICAL INDEX

PART NO.	REF. NO.	PART NO.	REF. NO.	PART NO.	REF. NO.	PART NO.	REF. NO.	PART NO.	REF. NO.	PART NO.	REF. NO.
90105-088B6	12 - 14	90201-208J0	23 - 19	90468-20196	17 - 4	93306-005Y3	13 - 24	95812-08040	12 - 3		
90105-10219	13 - 8	90201-208S8	24 - 11	90501-10852	23 - 13	93306-007Y0	23 - 53	95812-08045	9 - 17		
90105-10267	13 - 13			90501-10852	4 - 5	93306-20201	9 - 8	95812-08050	26 - 4		
	13 - 20	90202-12807	23 - 39	90506-14001	19 - 8		9 - 15	95812-10050	35 - 18		
90105-10373	13 - 6	90208-14801	13 - 27			93306-204X0	13 - 23	95812-10055	11 - 13		
90105-10840	23 - 2	90209-08013	22 - 13	90506-20281	19 - 7	93306-20714	9 - 13	95812-12030	33 - 1		
90105-10847	14 - 28	90249-14129	17 - 9			93306-303Y6	23 - 3	95812-12065	11 - 7		
90105-13800	11 - 3	90269-06804	27 - 5	90508-16460	18 - 53	93306-30709	9 - 6	95812-12080	13 - 17		
90109-08002	30 - 2			90508-40678	20 - 4	93410-12822	23 - 38	95817-06020	5 - 2		
	38 - 1			90560-05001	18 - 54	93420-44805	23 - 48	95822-06012	26 - 6		
90109-08827	33 - 4			90560-08251	15 - 9	93450-21053	3 - 5				
90110-06125	31 - 9					93500-06826	23 - 14	95822-06025	33 - 13		
90111-05805	27 - 11	90269-07805	27 - 7	91402-20012	24 - 8	93606-10842	23 - 21	95822-06030	2 - 14		
90113-04803	21 - 11			91402-25020	35 - 11	94702-00343	2 - 8	95822-08020	33 - 3		
	21 - 14			91490-25015	17 - 12	94702-00348	2 - 8				
90113-08803	23 - 12			91490-30030	23 - 46	95302-06600	33 - 7	97012-08030	14 - 30		
90114-12806	13 - 22			91702-05010	6 - 5	95302-08700	26 - 5	97012-10050	9 - 18		
90119-06808	31 - 11					95302-10600	35 - 8	97012-10070	2 - 4		
90119-06884	6 - 4	90269-09003	27 - 15	91702-05014	18 - 51	95302-18600	33 - 15	9708R-06020	30 - 10		
90119-10044	11 - 5			91702-06014	24 - 6	95307-08700	17 - 8	97502-08625	8 - 6		
90159-06107	9 - 5			91702-08018	17 - 11	9530N-06600	32 - 8	97512-10620	11 - 11		
90159-06845	30 - 13	90269-10001	5 - 10	91702-10026	17 - 3		32 - 15	97602-04316	24 - 14		
90170-05302	4 - 10	90280-04052	33 - 17	92012-06030	33 - 6	95380-06600	20 - 2	97602-05225	34 - 17		
90170-08841	23 - 43	90340-12097	9 - 9	92017-06040	30 - 4	95602-06200	20 - 6	97702-60420	5 - 4		
90170-10840	23 - 56	90381-17800	13 - 10	92902-04100	7 - 19	95602-08100	24 - 1	98507-04010	7 - 18		
90176-06008	30 - 6	90381-18801	13 - 2	92902-06200	34 - 3		35 - 15	98507-05008	7 - 2		
90179-05807	34 - 11	90386-08141	20 - 3	92902-06600	24 - 7	95602-08200	8 - 5	9850N-04010	32 - 23		
90179-08822	17 - 7	90386-12800	18 - 26	92902-08600	14 - 31		35 - 14	9850N-05016	32 - 22		
90179-08824	34 - 12	90387-12016	13 - 15	92902-10200	10 - 2	95602-08710	2 - 17	9850N-05018	32 - 31		
90179-12262	25 - 2	90387-241M7	13 - 25	92902-12200	14 - 8	95602-10200	10 - 1	99001-07600	6 - 7		
90179-13800	11 - 4	90461-14108	34 - 23	92907-06100	32 - 10		11 - 14	99001-09600	17 - 10		
90179-16889	32 - 30	90464-09823	34 - 24				13 - 7	99009-19400	24 - 13		
90183-05008	27 - 12	90464-12836	15 - 19	9290N-06600	32 - 9		26 - 8	99530-08016	9 - 11		
90185-06836	30 - 11					95602-12200	11 - 8	99530-14016	2 - 6		
90185-12008	14 - 7						14 - 9				
90201-04810	14 - 35	90464-19815	34 - 27	92990-05100	7 - 3		35 - 6				
90201-10057	2 - 5	90464-40825	15 - 22	9299R-06200	30 - 14		35 - 10				
	9 - 19			93101-24822	23 - 47	95602-14100	13 - 28				
90201-121H8	19 - 12			93102-25868	23 - 15	95612-12100	13 - 18				
	19 - 23	90464-76800	12 - 17	93102-30083	13 - 26	95622-08618	2 - 7				
90201-121H9	19 - 11			93102-35014	9 - 7	95702-06500	34 - 4				
	19 - 22	90465-06038	24 - 18			95702-08500	6 - 2				
90201-128S4	11 - 9	90467-10846	15 - 17	93104-11829	23 - 40		33 - 5				
	35 - 24			93109-10820	23 - 36	95802-06020	5 - 8				
90201-178H8	23 - 22	90467-13847	2 - 19	93210-15566	33 - 24	95802-10035	35 - 21				
90201-18620	33 - 16	90468-10049	6 - 6	93210-22344	9 - 21	95812-08016	26 - 3				
90201-198S7	24 - 12			93306-00440	23 - 49	95812-08020	14 - 2				
90201-208H9	23 - 17	90468-10050	18 - 52	93306-005Y1	23 - 8		18 - 49				