



# PARTS CATALOGUE

## DR2A18 PTV ( J0D2 ) CANADA, EUROPE, OTHERS

---



NEWS No.	DATE	COMMENT
PE0-GC-200009	May.,15,2020	COR:HEAD & TAIL LIGHT ILLUSTRATION CORRECTION

1TJ0D-100E1

( )

2020/06/05

DR2A18 PTV  
PARTS CATALOGUE  
©2020 by Yamaha Motor Co., Ltd.  
1st edition, June 2020  
All rights reserved.  
Any reprinting or unauthorized use  
without the written permission of  
Yamaha Motor Co., Ltd.  
is expressly prohibited.  
Printed in Japan.

# FOREWORD

This Parts Catalogue is related to the parts for the model(s) on the cover page. When you are ordering replacement parts, please refer to this Parts Catalogue and quote both part numbers and part names correctly.

1. Modifications or additions which have been made after the issue of the Parts Catalogue will be announced in the Parts News.  
It is advisable that you make the necessary corrections to the Parts Catalogue according to the Parts News.

2. Abbreviations

The following abbreviations are used in this Parts Catalogue.

“UR” Use specified parts number.

“UN” Use as many as needed.

“AP” Alternate Parts

“LM” Locally Made (Parts need to be ordered locally)

“F#” Frame No. (Applicable machine No.)

“O/S” Over Size

3. The number of components for assembly

- Parts, which are to be supplied in an assembly, are listed with a dot (.) in front of the part name as shown below.
- The numeral appearing to the right of each component part indicates the quantity of parts for each assembly unit.

PART NO.	DESCRIPTION	Q'TY	REMARKS
2F5-83310-60	FRONT FLASHER LIGHT ASSY	2	
115-83311-60	.BULB (6V-18W)	1	

4. Applicable colours of graphics are represented in the “REMARKS” as shown below.

PART NO.	DESCRIPTION	Q'TY	REMARKS
2N4-24110-00-X5	FUEL TANK COMP.	2	MXR
3J1-24240-10	.GRAPHIC, FUEL TANK	1	FOR MXR

5. Note that the illustrations for reference in finding parts numbers are not to be used for assembling. When assembling, please use the applicable service manual.

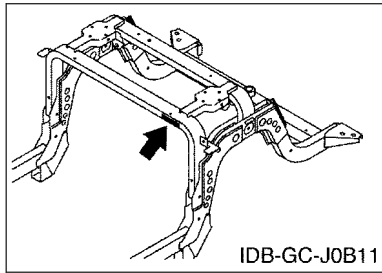
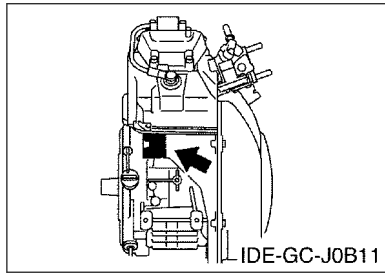
6. The asterisk (\*) before a reference number indicates modified items after the first edition.

# FOREWORD

## 7. Applicable Serial No.

Engine Serial No.

Frame Serial No.



## 8. Applicable Colour Code (The (\*) mark shows Model colour.)

Abbreviation	Colour Name	Colour Code
BMG(*)	BLACK METALLIC G	1050
BW1(*)	BLUISH WHITE 1	1571
DNBME(*)	DARK GRAYISH BLUE METALLIC E	0866
DRMV(*)	DEEP RED METALLIC V	1365
DYNAM2(*)	DARK YELLOWISH GRAY METALLIC 2	1509
LNMP(*)	LIGHT GRAY METALLIC P	0925
LN YM8(*)	LIGHT GRAYISH YELLOW ME 8	1047
VPBM6(*)	VIVID PURPLISH BLUE METALLIC 6	1002

## 9. Quantity Column Information

Column No.	Name Of Q'ty Column	Destination
1	J0D2	CANADA, EUROPE, OTHERS

## 10. Applicable Starting Serial No.

Frame Serial No.

Serial No.	Name Of Q'ty Column	Model Code
J0D-100101	J0D2	J0D2

# CONTENTS

ENGINE 1.....	1
---------------	---

## ENGINE

CYLINDER HEAD.....	2
CRANKSHAFT & PISTON.....	3
CAMSHAFT & VALVE.....	4
AIR SHROUD & FAN.....	5
INTAKE 1.....	6
INTAKE 2.....	7
EXHAUST.....	8
CRANKCASE.....	9

## BODY

ENGINE BRACKET.....	10
REAR ARM & SUSPENSION.....	11
FRAME.....	13
FRONT SUSPENSION & WHEEL.....	15
STEERING.....	17
FUEL TANK.....	19
PEDAL WIRE.....	20
PEDAL ASSEMBLY.....	21
BRAKE.....	23
GOVERNOR.....	24

## DRIVE

PRIMARY SHEAVE.....	25
SECONDARY SHEAVE.....	26
TRANSMISSION.....	27
SHIFTER & CABLES.....	29
REAR AXLE & WHEEL.....	30
BUMPER.....	31
BODY.....	32
BODY 2.....	34
BODY FITTING.....	37
CARRIER.....	38
REAR VIEW MIRROR.....	39
SEAT.....	40

## ELECTRICAL

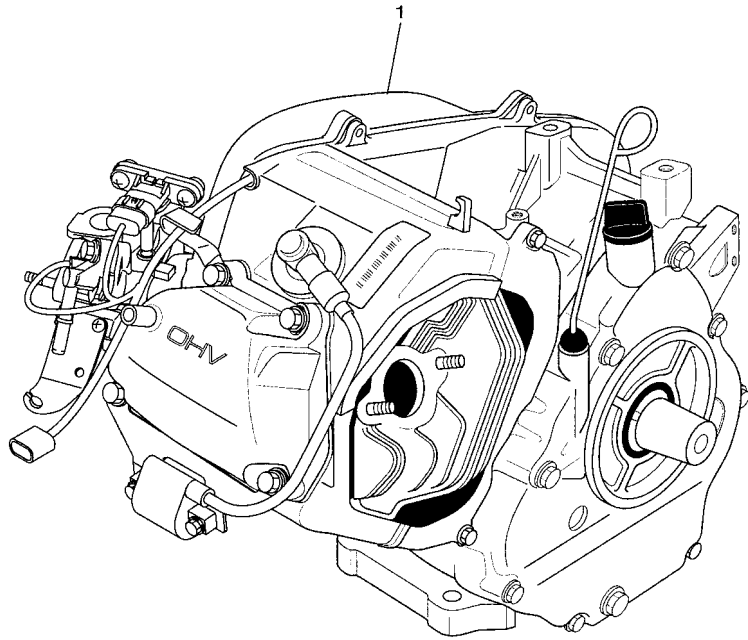
STARTING MOTOR.....	41
---------------------	----

HEAD & TAIL LIGHT.....	43
ELECTRICAL 1.....	45
ELECTRICAL 2.....	47
ALTERNATE FOR WINDSHIELD.....	50
ALTERNATE FOR SUN ROOF.....	51
ALTERNATE FOR SEAT.....	52

## INDEX

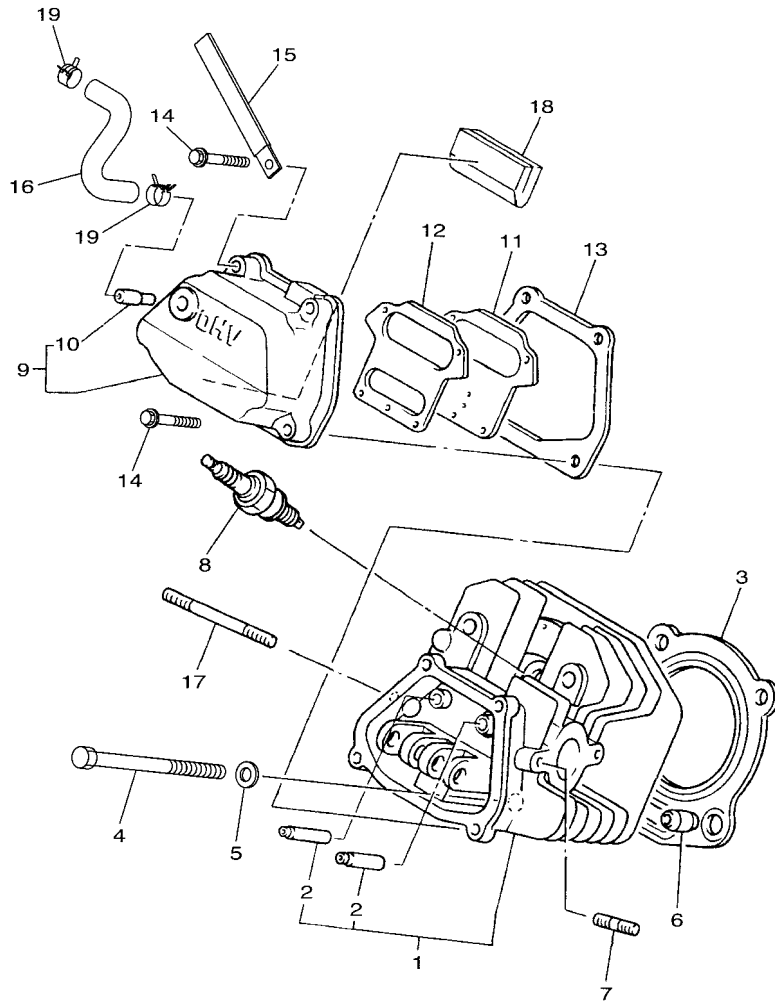
NUMERICAL INDEX.....	53
----------------------	----

**FIG. 1 ENGINE 1**



REF. NO.	PART NO.	DESCRIPTION	JDD2					REMARKS
1	JOB-19001-10	ENGINE ASSEMBLY	1					

  
 JC04110-L010



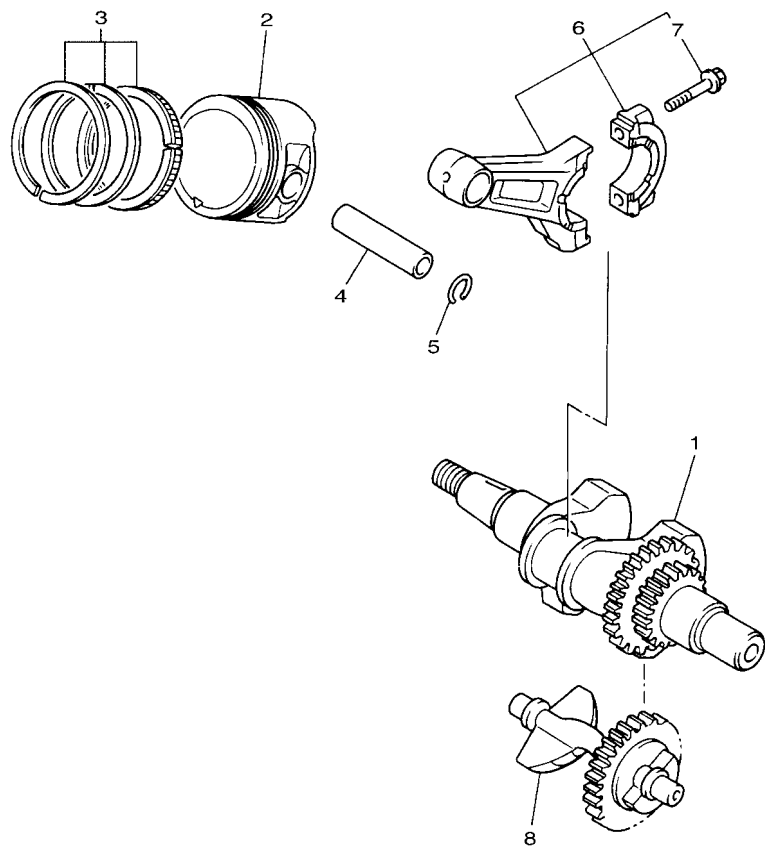
**FIG. 2 CYLINDER HEAD**

REF. NO.	PART NO.	DESCRIPTION	JOB2				REMARKS
1	JT0-11111-00	HEAD, CYLINDER 1	1				
2	JN6-11133-00	.GUIDE, VALVE 1	2				
3	JT0-11181-00	GASKET, CYLINDER HEAD 1	1				
4	97012-10070	BOLT	4				
5	90201-10057	WASHER, PLATE	4				
<hr/>							
6	99530-14016	PIN, DOWEL	2				
7	95622-08618	BOLT, STUD	2				
8	94702-00348	PLUG, SPARK (NGK-BPR2ES)	1				STD
	94702-00343	PLUG, SPARK (NGK BR4ES)	1				AP
9	JN6-11191-01	COVER, CYLINDER HEAD 1	1				
<hr/>							
10	JN6-11116-00	.JOINT, BREATHER	1				
11	JN6-11168-00	COVER, BREATHER	1				
12	JN6-11169-00	GASKET, BREATHER COVER	1				
13	JN6-11193-00	GASKET, HEAD COVER 1	1				
14	95822-06030	BOLT, FLANGE	4				
<hr/>							
15	90462-05061	CLAMP	1				
16	J0B-E1166-00	PIPE, BREATHER 1	1				
17	95602-08710	BOLT, STUD	2				
18	JR7-11163-10	ELEMENT	1				
19	90467-13847	CLIP	2				
<hr/>							
<hr/>							



J0B1110-S010

**FIG. 3 CRANKSHAFT & PISTON**



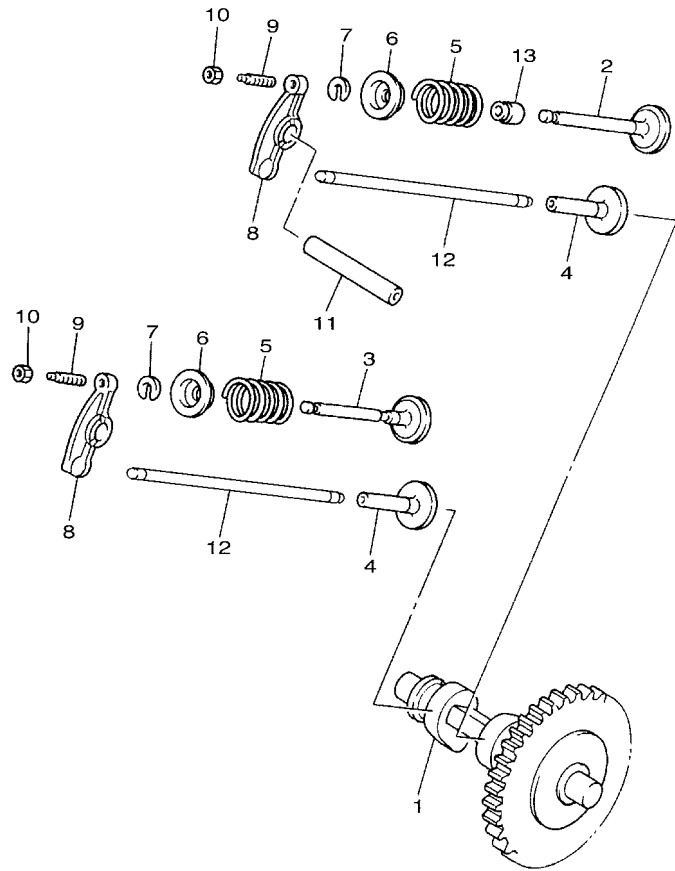
REF. NO.	PART NO.	DESCRIPTION	JDD2				REMARKS
1	JN6-11400-00	CRANKSHAFT ASSY	1				
2	JR7-11631-00-A0	PISTON (STD)	1				
	JR7-11635-00	PISTON (0.25MM O/S)	1				AP
	JR7-11636-00	PISTON (0.50MM O/S)	1				AP
3	JR7-11610-00	PISTON RING SET (STD)	1				
	JR7-11610-10	PISTON RING SET (0.25MM O/S)	1				AP
	JR7-11610-20	PISTON RING SET (0.50MM O/S)	1				AP
4	583-11633-00	PIN, PISTON	1				
5	93450-21053	CIRCLIP	2				
6	JN6-11650-10	CONNECTING ROD ASSY	1				
7	JN6-11654-10	.BOLT, CONNECTING ROD	2				
8	JN6-11454-10	WEIGHT 1	1				



JN7010-6021



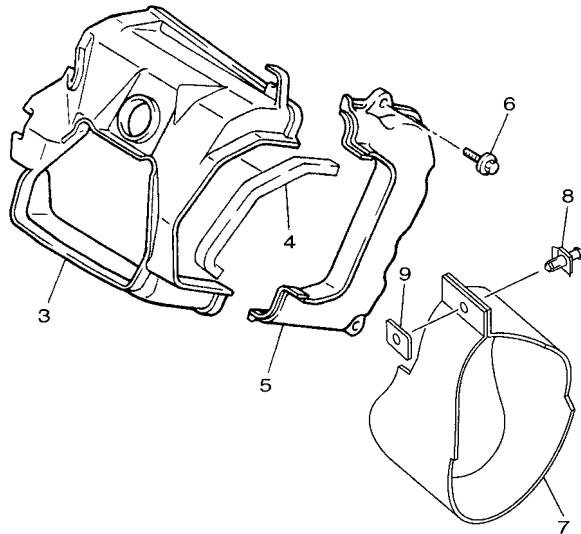
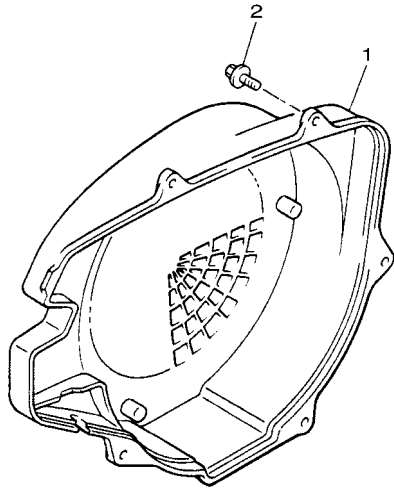
**FIG. 4 CAMSHAFT & VALVE**



REF. NO.	PART NO.	DESCRIPTION	JDD2				REMARKS
1	JR7-12180-10	CAMSHAFT ASSY 2	1				
2	JN6-12111-10	VALVE, INTAKE	1				
3	7RH-12121-10	VALVE, EXHAUST	1				
4	JN6-12153-10	LIFTER, VALVE	2				
5	90501-264A9	SPRING, COMPRESSION	2				
6	J38-12117-01	RETAINER, VALVE SPRING	2				
7	J38-12118-00	LOCK, VALVE SPRING RETAINER	2				
8	JN6-12151-10	ARM, VALVE ROCKER	2				
9	22F-12159-10	SCREW, VALVE ADJUSTING	2				
10	90170-05302	NUT	2				
11	J38-12156-20	SHAFT, ROCKER 2	1				
12	JR7-12154-10	ROD, VALVE PUSH	2				
13	4G0-12119-00	SEAL, VALVE STEM	1				



JD13110-K030

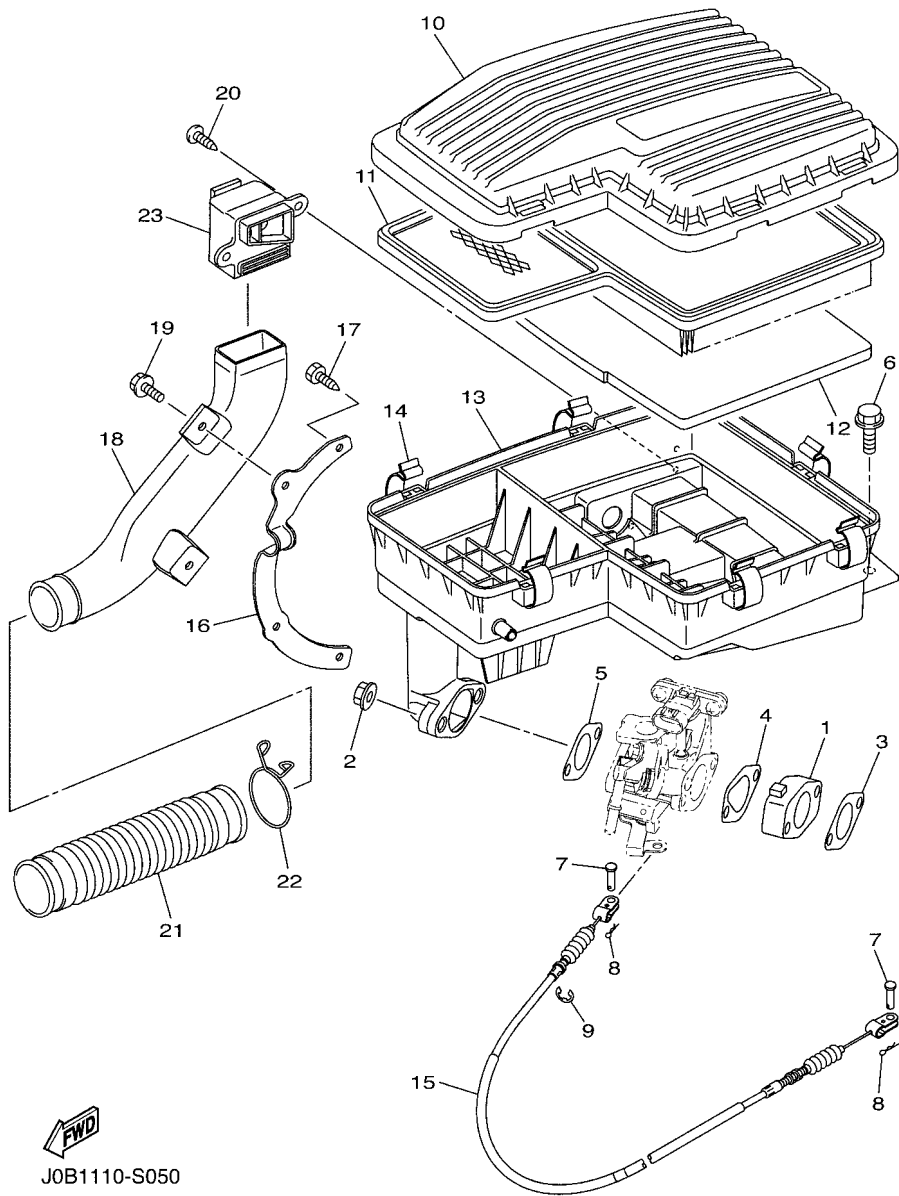


**FIG. 5 AIR SHROUD & FAN**

REF. NO.	PART NO.	DESCRIPTION	JDD2				REMARKS
1	JN6-12621-02	CASE, FAN	1				
2	95802-06020	BOLT, FLANGE	4				
3	JN6-12651-01	AIR SHROUD, CYLINDER 1	1				
4	JR7-12658-00	DAMPER, AIR SHROUD 1	1				
5	JN6-12652-00	AIR SHROUD, CYLINDER 2	1				
6	95802-06020	BOLT, FLANGE	2				
7	J0B-E2691-00	DUCT 1	1				
8	90269-10001	RIVET	1				
9	JR7-12634-00	PLATE 2	1				



J0B1110-S040

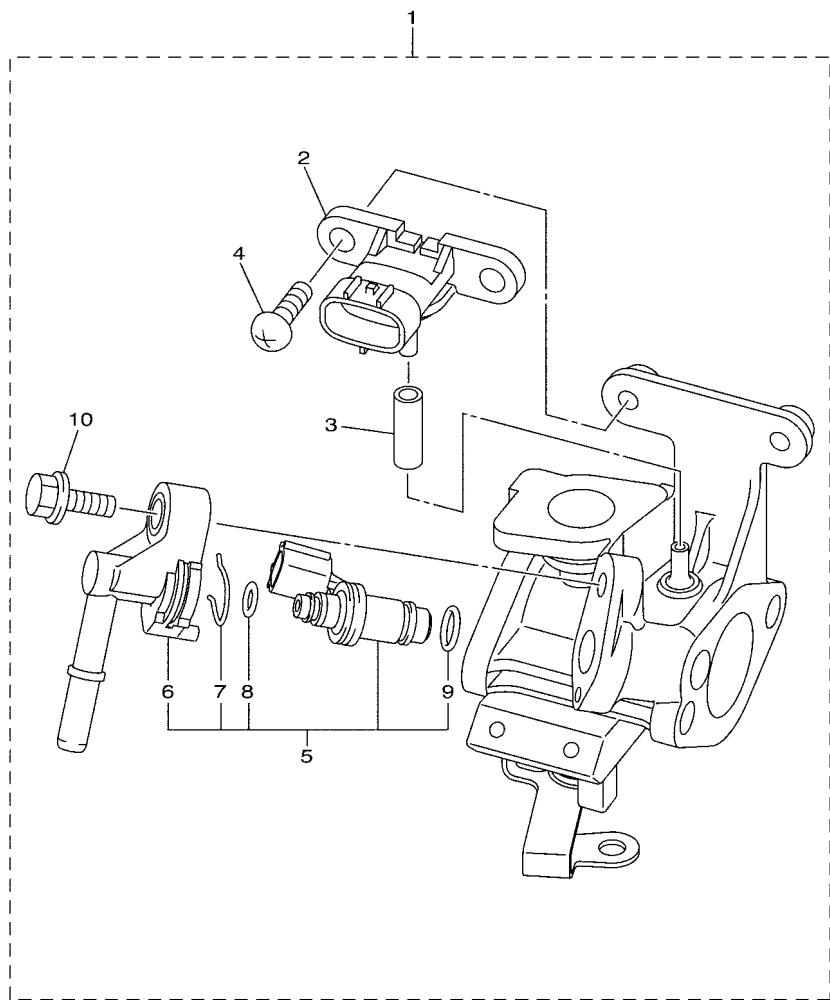


J0B1110-S050

FIG. 6 INTAKE 1

REF. NO.	PART NO.	DESCRIPTION	JDD2				REMARKS
1	JC0-13595-00	JOINT	1				
2	95702-08500	NUT, FLANGE	2				
3	JN6-13567-00	GASKET	1				
4	JC0-13567-00	GASKET	1				
5	JN6-13567-00	GASKET	1				
6	95802-06016	BOLT, FLANGE	2				
7	91702-05010	PIN, CLEVIS	2				
8	90468-10049	CLIP	2				
9	99001-07600	CIRCLIP	1				
10	J0B-E4412-00	CAP, CLEANER CASE 1	1				
11	J0B-E4451-01	ELEMENT, AIR CLEANER	1				
12	JU0-E445E-00	FILTER 1	1				
13	J0B-E4411-01	CASE, AIR CLEANER 1	1				
14	3B4-14424-00	CLIP, CAP FITTING	7				
15	J0B-F6312-00	CABLE, THROTTLE 2	1				
16	J0B-E4413-00	STAY	1				
17	97702-60416	SCREW, TAPPING	2				
18	J0B-E5471-00	DUCT, AIR	1				
19	90105-06057	BOLT, FLANGE	2				
20	97702-50016	SCREW, TAPPING	2				
21	J0B-E4437-00	DUCT	1				
22	90467-24140	CLIP	1				
23	J0B-E4453-01	JOINT, AIR CLEANER 1	1				

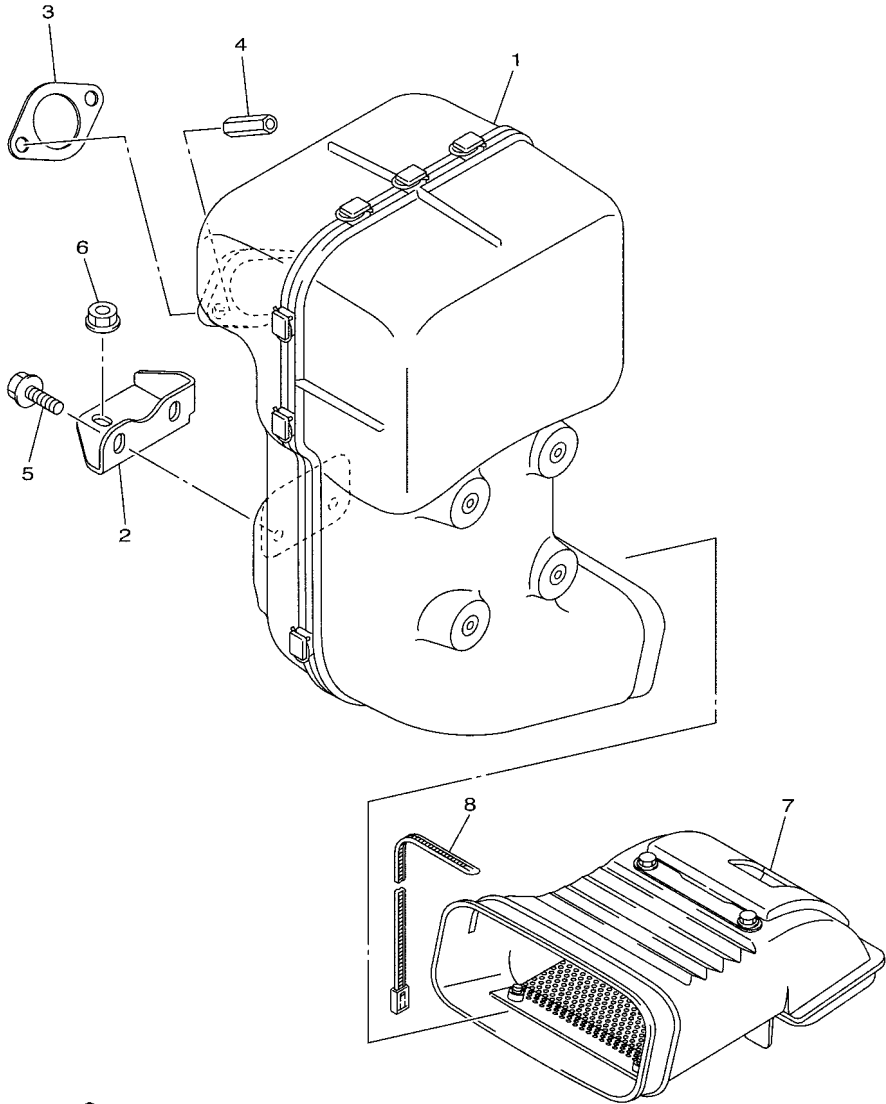
**FIG. 7 INTAKE 2**



REF. NO.	PART NO.	DESCRIPTION	JOB2				REMARKS
1	J0B-13750-00	THROTTLE BODY ASSY	1				
2	1C7-82380-00	.SENSOR, PRESSURE	1				
3	JC0-13542-00	.HOSE, VACUUM SENSING 1	1				
4	98502-06014	.SCREW, PAN HEAD	2				
5	J0B-13770-00	.INJECTOR ASSY	1				
6	52S-13938-00	..PIPE	1				
7	52B-14137-00	..CLIP	1				
8	52B-14147-00	..O-RING	1				
9	5CA-14147-00	..O-RING	1				
10	95812-06025	..BOLT, FLANGE	1				



J0B1110-S061

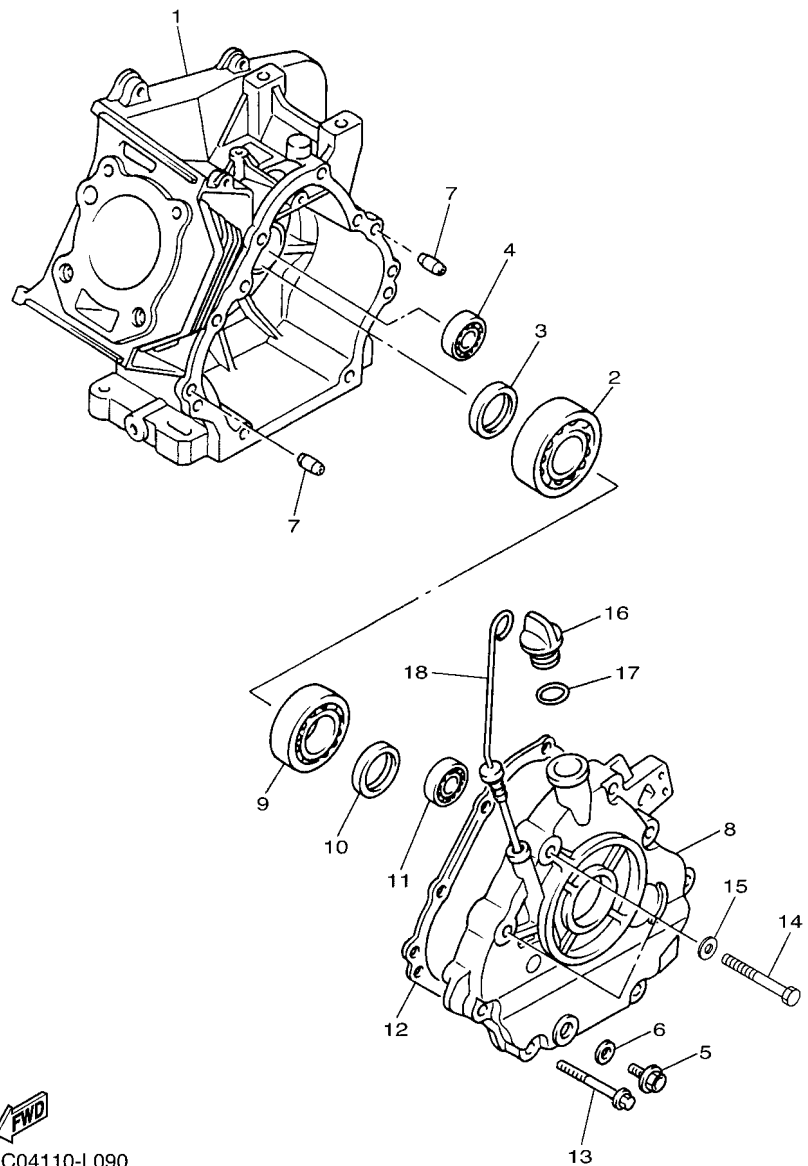


J0B2100-T080

**FIG. 8 EXHAUST**

REF. NO.	PART NO.	DESCRIPTION	J0D2			REMARKS
1	J0B-E4710-01	MUFFLER ASSY 1	1			
2	J0B-F1436-00	BRKT., MUFL. 2	1			
3	7KY-14613-01	GASKET, EXHAUST 1	1			
4	JW1-E4713-00	NUT, MUFFLER JOINT	2			
5	95822-08020	BOLT, FLANGE	2			
6	95702-08500	NUT, FLANGE	1			
7	J0B-E4430-01	DUCT ASSY	1			
8	90464-09823	CLAMP	1			

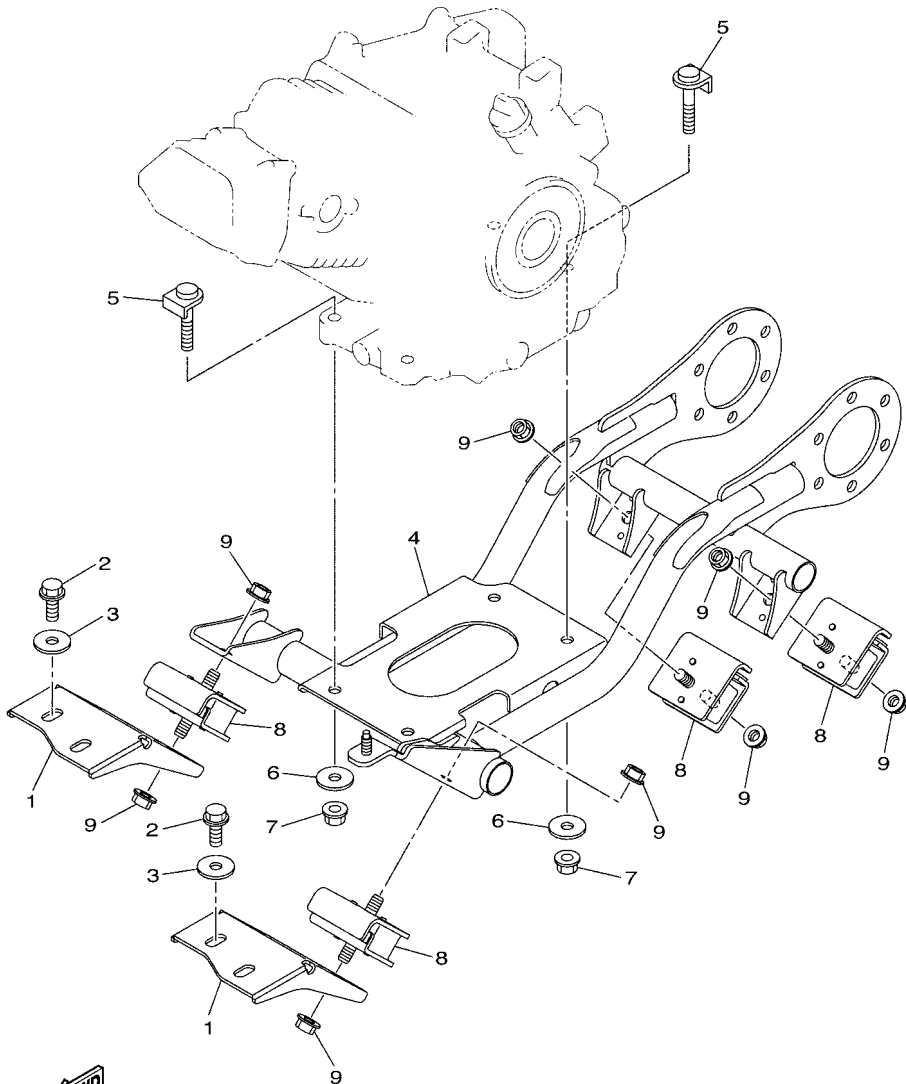
**FIG. 9 CRANKCASE**



REF. NO.	PART NO.	DESCRIPTION	JDD2				REMARKS
1	JC0-15111-01	CRANKCASE 1	1				
2	93306-30709	BEARING	1				
3	93102-35014	OIL SEAL	1				
4	93306-20201	BEARING	1				
5	90340-12097	PLUG, STRAIGHT SCREW	1				
6	812-11198-00	GASKET	1				
7	99530-08016	PIN, DOWEL	2				
8	JN6-15411-01	COVER, CRANKCASE 1	1				
9	93306-20714	BEARING	1				
10	93102-35014	OIL SEAL	1				
11	93306-20201	BEARING	1				
12	JY2-15451-00	GASKET, CRANKCASE COVER 1	1				
13	95812-08045	BOLT, FLANGE	6				
14	97012-10050	BOLT	2				
15	90201-10057	WASHER, PLATE	2				
16	796-15363-01	PLUG, OIL	1				
17	93210-22344	O-RING	1				
18	J38-15361-00	GAUGE, LEVEL	1				



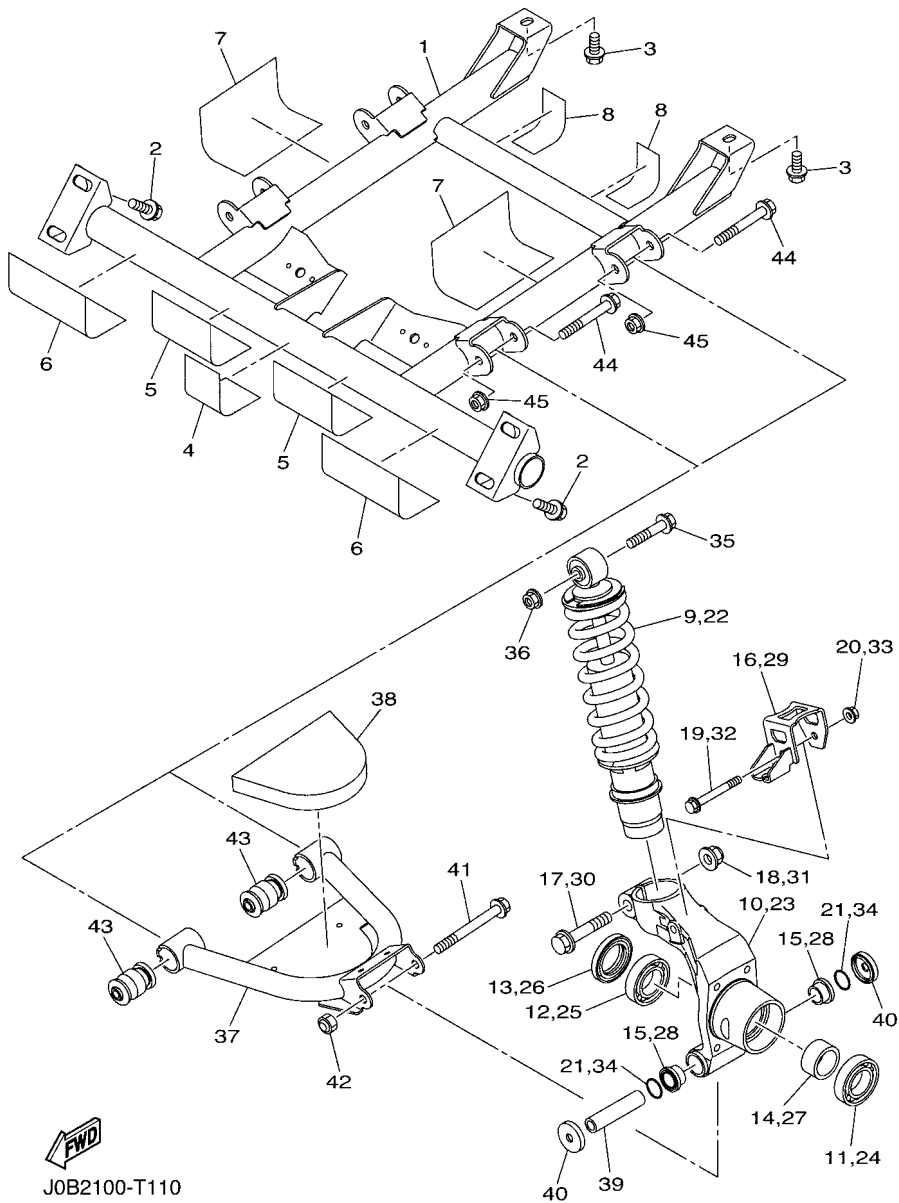
JC04110-L090



J0B1110-S090

**FIG. 10 ENGINE BRACKET**

REF. NO.	PART NO.	DESCRIPTION	J0D2				REMARKS
1	J0B-F1411-00	BRACKET, ENGINE 1	2				
2	95812-10020	BOLT, FLANGE	4				
3	90201-10072	WASHER, PLATE	4				
4	J0B-F1419-01	BRACKET, ENGINE 2	1				
5	JT0-21481-00	BOLT, ENGINE MOUNTING 1	4				
6	92902-10200	WASHER	4				
7	95602-10200	NUT, S/L FLANGE	4				
8	J0B-F1485-00	DAMPER, RUBBER 1	4				
9	95602-10200	NUT, S/L FLANGE	8				
-----							
-----							
-----							
-----							
-----							
-----							
-----							
-----							
-----							
-----							

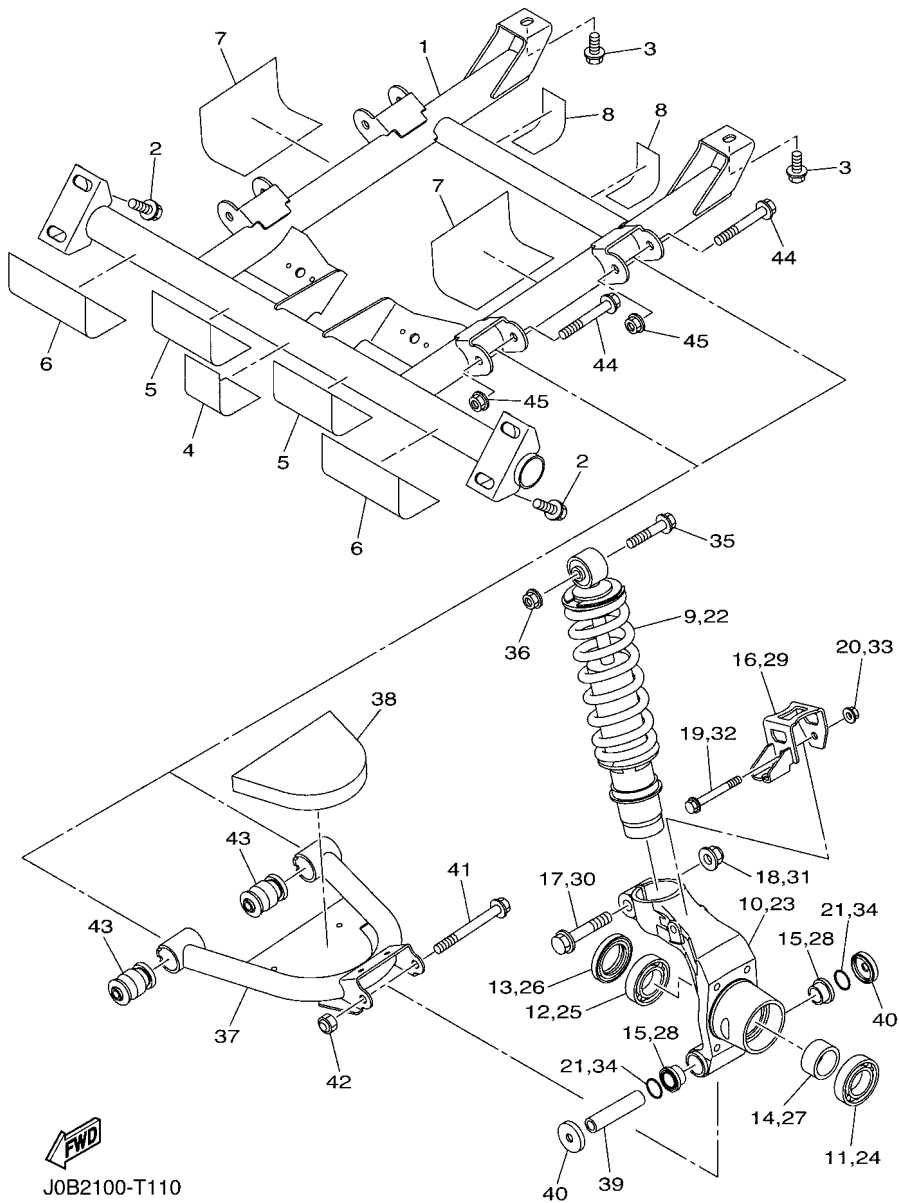


J0B2100-T110

FIG. 11 REAR ARM & SUSPENSION

REF. NO.	PART NO.	DESCRIPTION	J0D2				REMARKS
1	J0B-F2110-02	REAR ARM COMP.	1				
2	95822-10020	BOLT, FLANGE	4				
3	J0B-F1531-00	BOLT	2				
4	J0B-F8218-00	SEAL 1	1				
5	J0B-F8228-00	SEAL 2	2				
6	J0B-F8238-00	SEAL 3	2				
7	J0B-F8268-00	SEAL 4	2				
8	J0B-F8278-00	SEAL 5	2				
9	J0B-F2210-00	SHOCK ABSORBER ASSY, REAR	1				
10	J0B-F53A1-01	KNUCKLE, REAR	1				
11	93306-00622	BEARING	1				
12	93306-006Y4	BEARING	1				
13	93106-38046	OIL SEAL	1				
14	J0B-F3113-00	COLLAR	1				
15	90381-17803	BUSH, SOLID	2				
16	J0B-F537W-00	BRACKET 1	1				
17	95812-12055	BOLT, FLANGE	1				
18	95602-12200	NUT, SELF-LOCKING	1				
19	95812-08060	BOLT, FLANGE	1				
20	95702-08500	NUT, FLANGE	1				
21	93210-19001	O-RING	2				
22	J0B-F2210-00	SHOCK ABSORBER ASSY, REAR	1				
23	J0B-F53A1-01	KNUCKLE, REAR	1				
24	93306-00622	BEARING	1				
25	93306-006Y4	BEARING	1				
26	93106-38046	OIL SEAL	1				
27	J0B-F3113-00	COLLAR	1				

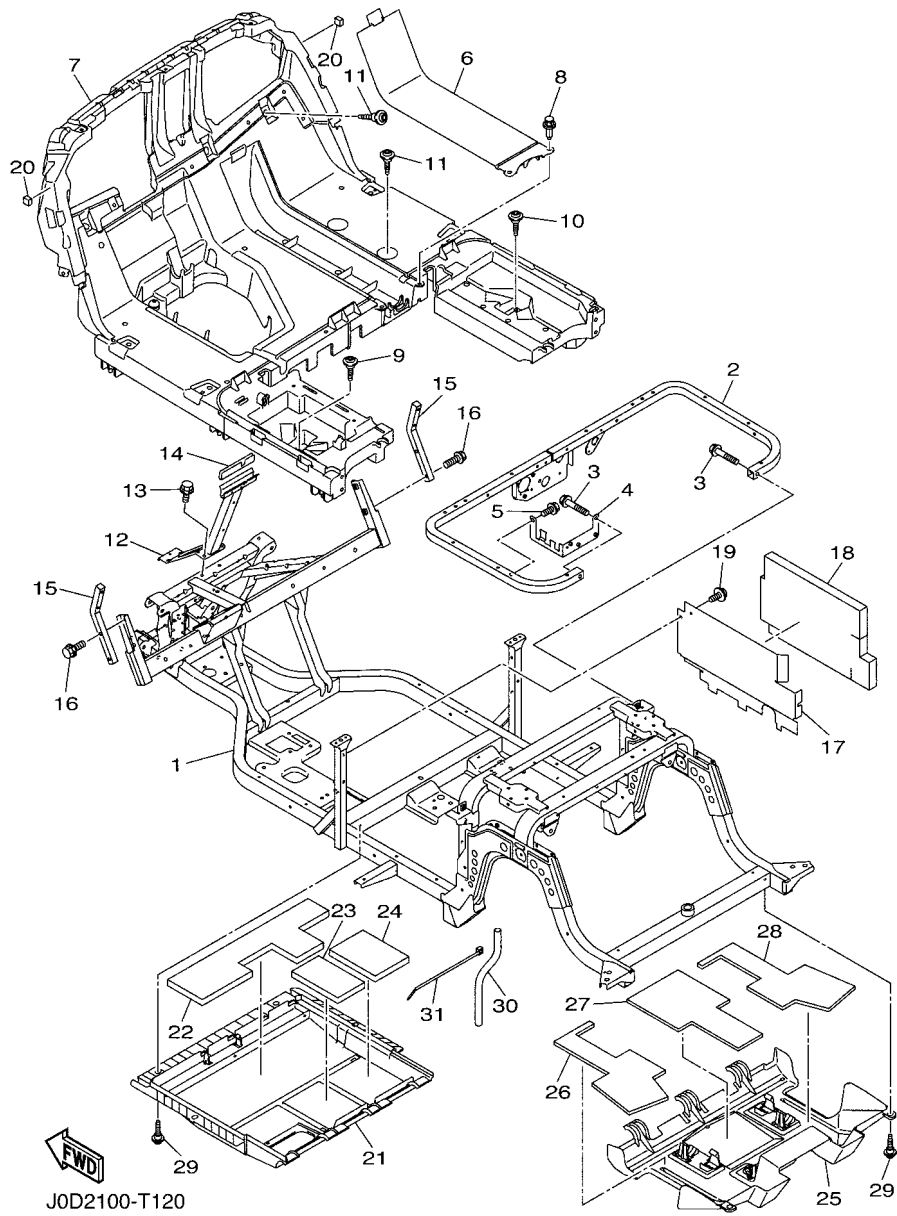




**FIG. 11 REAR ARM & SUSPENSION**

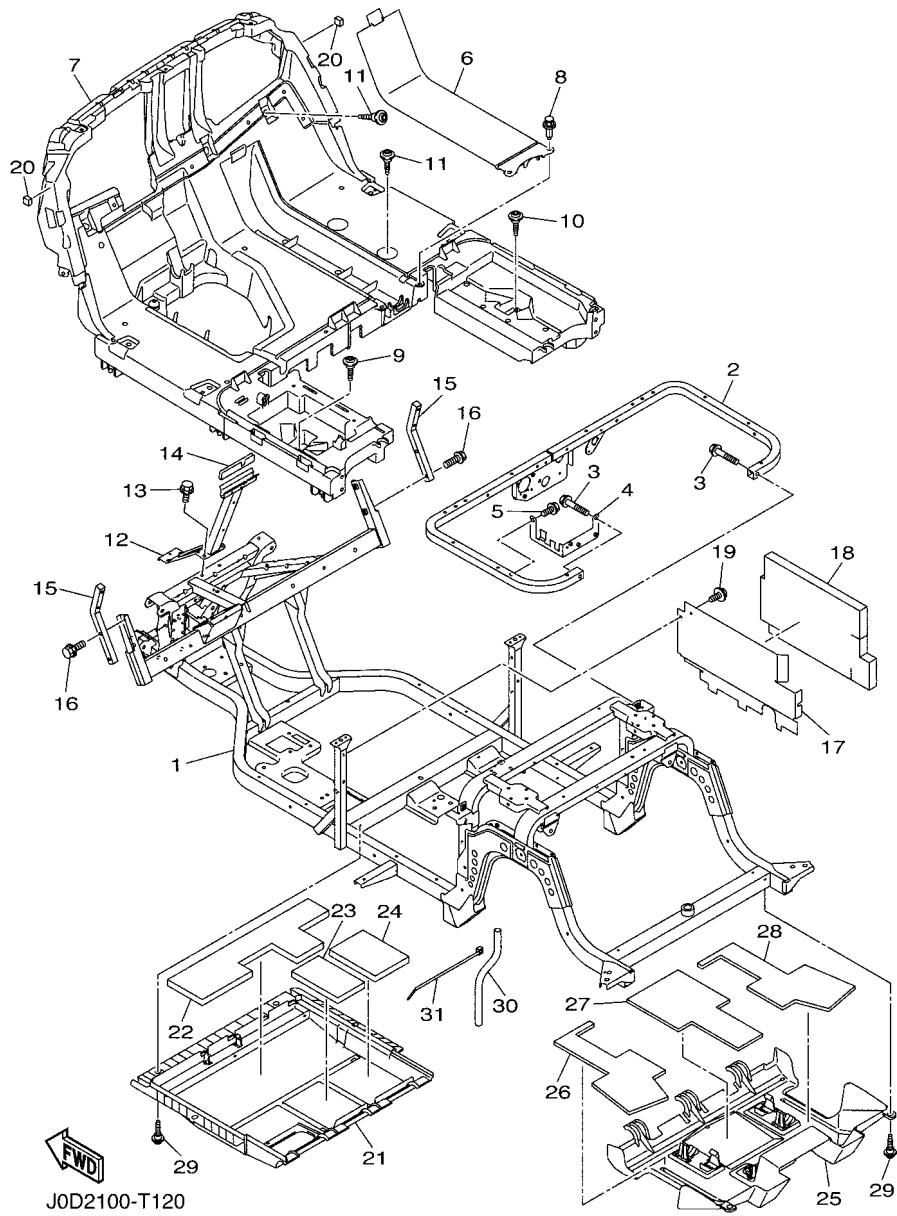
REF. NO.	PART NO.	DESCRIPTION	JDD2				REMARKS
28	90381-17803	BUSH, SOLID	2				
29	J0B-F537W-00	BRACKET 1	1				
30	95812-12055	BOLT, FLANGE	1				
31	95602-12200	NUT, SELF-LOCKING	1				
32	95812-08060	BOLT, FLANGE	1				
33	95702-08500	NUT, FLANGE	1				
34	93210-19001	O-RING	2				
35	95812-10055	BOLT, FLANGE	2				
36	95602-10200	NUT, S/L FLANGE	2				
37	J0B-F2171-01	ARM, REAR 1	2				
38	J0B-K8254-00	PAD, SILENCER 4	2				
39	5KM-23448-00	SPACER	2				
40	5UG-23517-10	COVER, THRUST 1	4				
41	90105-10185	BOLT, FLANGE	2				
42	90185-10012	NUT, SELF-LOCKING	2				
43	2HR-23526-00	BUSH	4				
44	90105-10267	BOLT, FLANGE	4				
45	95602-10200	NUT, S/L FLANGE	4				

J0B2100-T110



**FIG. 12 FRAME**

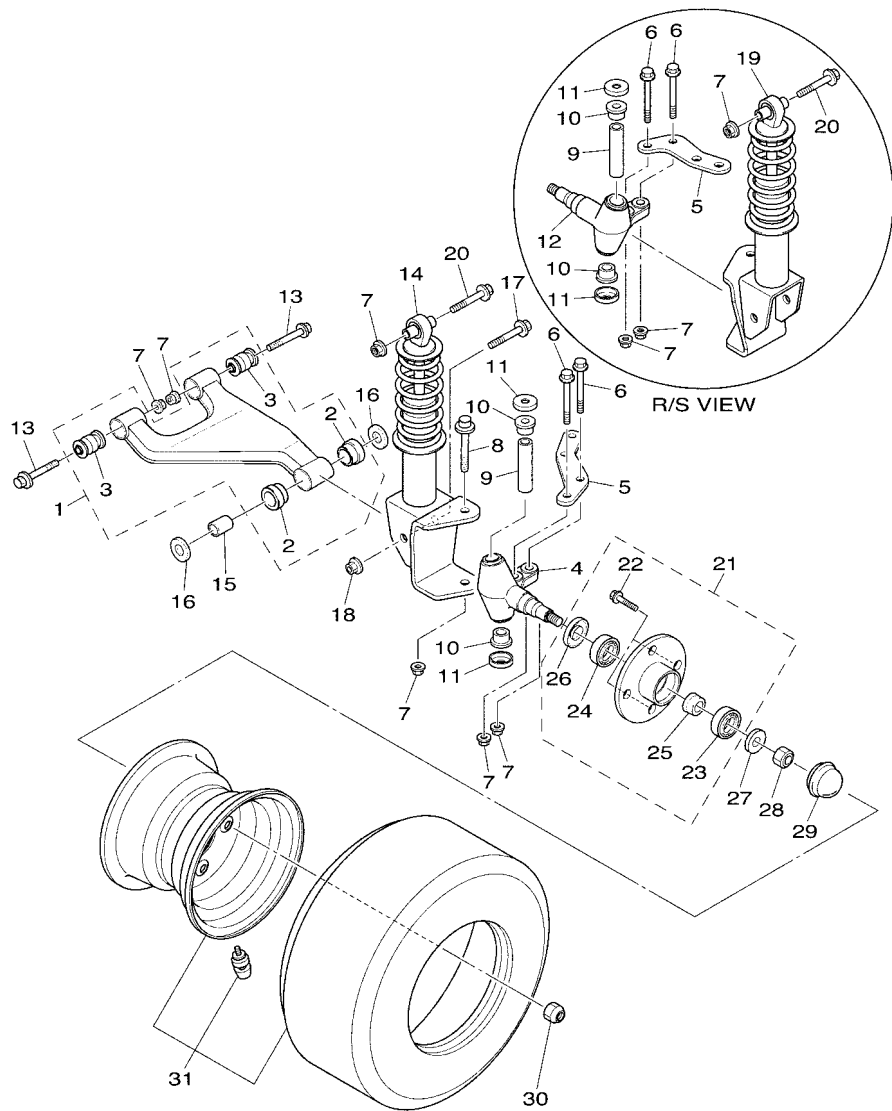
REF. NO.	PART NO.	DESCRIPTION	J0D2				REMARKS
1	J0B-F2501-00	FRAME COMP.	1				
2	J0B-F255G-00	MEMBER, SEAT SUPPORT	1				
3	95812-08040	BOLT, FLANGE	2				
4	J0B-F253B-01	STAY, RELAY	1				
5	90105-08867	BOLT, FLANGE	1				
6	J0B-F7413-01	COVER, FOOTREST	1				
7	J0D-F7411-01	FOOTREST 1	1				
8	90269-09003	RIVET	2				
9	J0B-F1738-00	BOLT	1				
10	J0B-F1738-00	BOLT	1				
11	J0B-F1738-00	BOLT	7				
12	J0B-F258E-00	SUPPORT, FRONT COWL	1				
13	90105-08867	BOLT, FLANGE	2				
14	J0B-F2127-00	SHIM	1				
15	J1B-K816M-00	REAR STORAGE BOX COMP.	2				
16	90105-088B6	BOLT, FLANGE	4				
17	J0B-F258R-00	PLATE, BATTERY 3	1				
18	J0B-K8252-00	PAD, SILENCER 2	1				
19	90105-08867	BOLT, FLANGE	2				
20	J0B-K821A-00	PAD, BODY MOUNTING1	2				
21	J0B-F3123-01	COVER, UNDER 1	1				
22	J0B-K8256-00	PAD, SILENCER 6	1				
23	J0B-K8257-00	PAD, SILENCER 7	1				
24	J0B-K8258-00	PAD, SILENCER 8	1				
25	J0B-F3133-02	COVER, LOWER 2	1				
26	J0B-K8259-00	PAD, SILENCER 9	1				
27	J0B-K825A-00	PAD, SILENCER 10	1				



**FIG. 12 FRAME**

REF. NO.	PART NO.	DESCRIPTION	J0D2	REMARKS
28	J0B-K825E-00	PAD, SILENCER 11	1	
29	J0B-F1738-00	BOLT	6	
30	J0B-F125J-00	PIPE, DRAIN	2	
31	90464-76800	CLAMP	2	

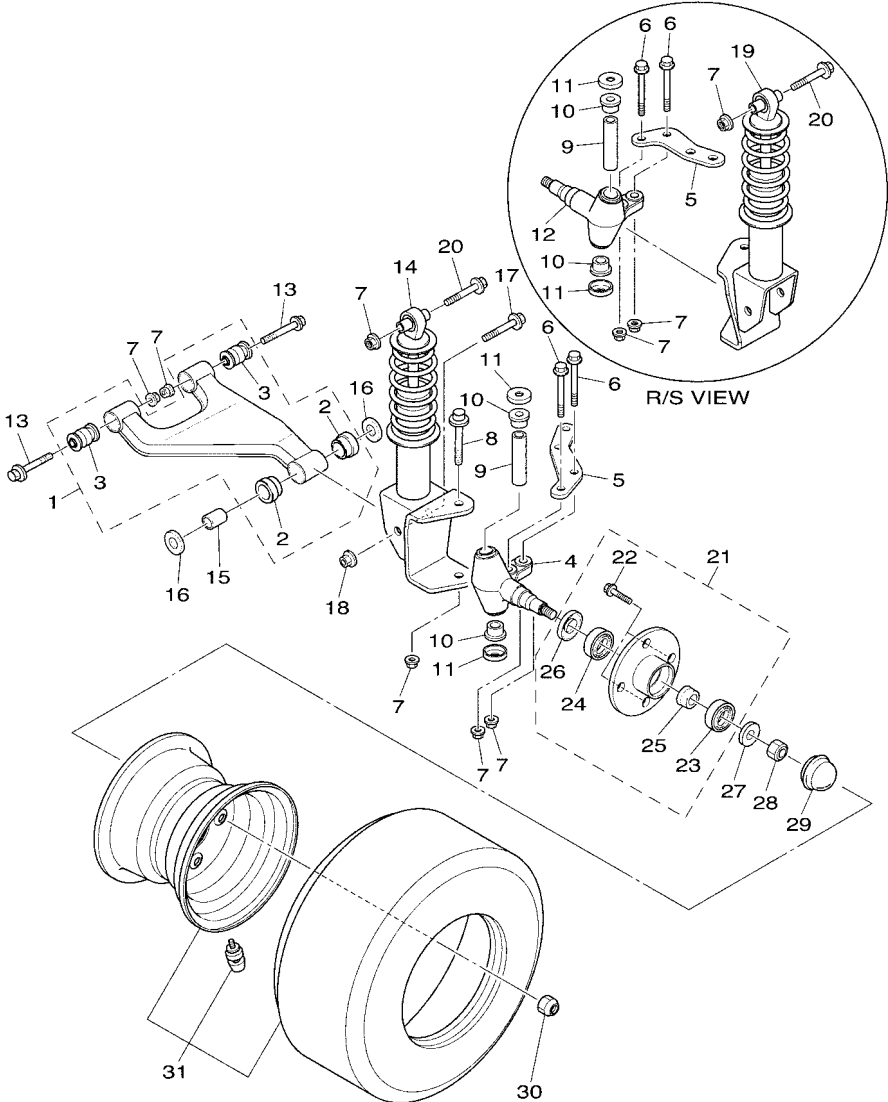
**FIG. 13 FRONT SUSPENSION & WHEEL**



J0D1100-S130

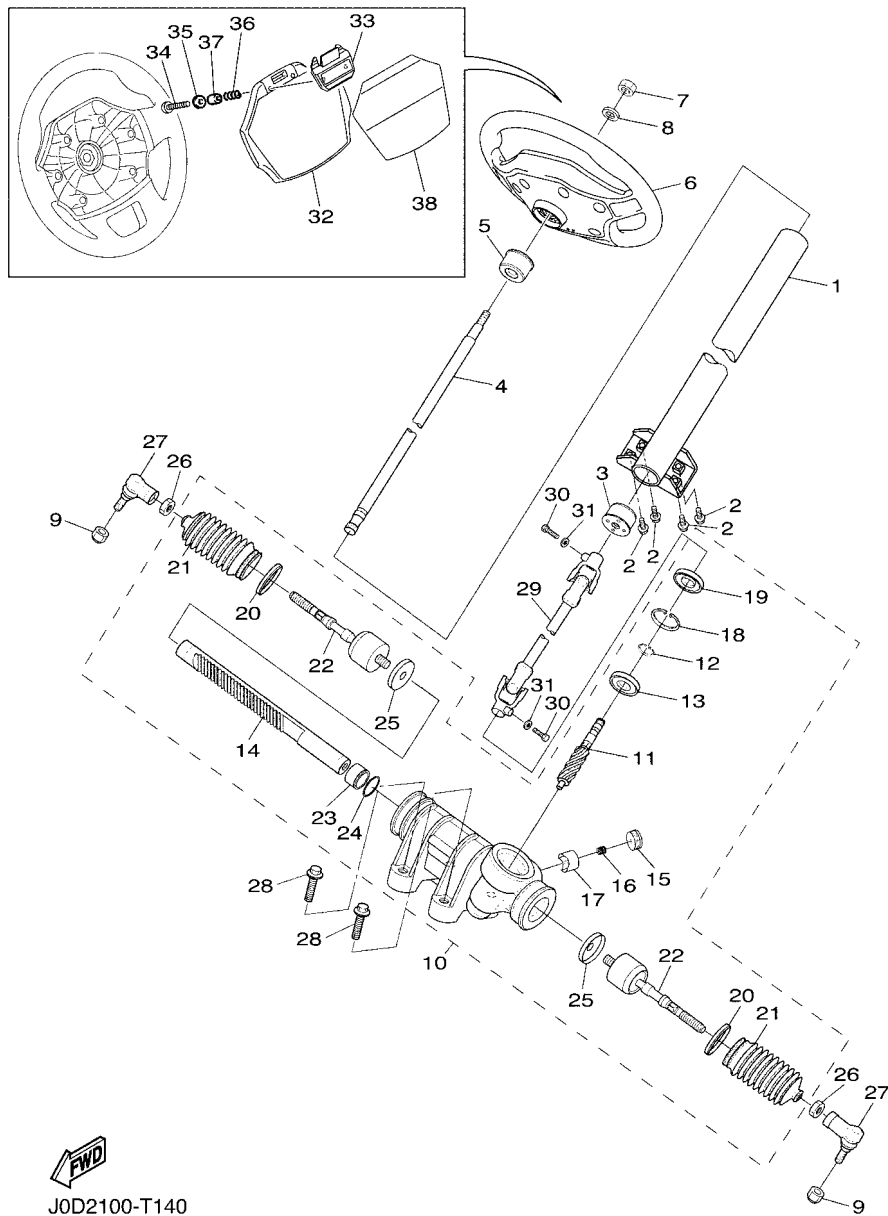
REF. NO.	PART NO.	DESCRIPTION	J0D2				REMARKS
1	J0B-F3570-10	FRONT LOWER ARM COMP. (LEFT)	2				
2	90381-18801	.BUSH, SOLID	2				
3	2HR-23526-00	.BUSH	2				
4	JU0-F3511-20	KNUCKLE, STEERING 1	1				
5	JW1-F3512-00	ARM, KNUCKLE 1	2				
6	90105-10373	BOLT, FLANGE	4				
7	95602-10200	NUT, S/L FLANGE	12				
8	90105-10219	BOLT, FLANGE	2				
9	2NL-23448-00	SPACER	2				
10	90381-17800	BUSH, SOLID	4				
11	2NL-23517-00	COVER, THRUST 1	4				
12	JU0-F3521-20	KNUCKLE, STEERING 2	1				
13	90105-10267	BOLT, FLANGE	4				
14	J0B-F3350-00	SHOCK ABSORBER ASSY	1				
15	90387-12016	COLLAR	2				
16	401-22128-01	COVER, THRUST 1	4				
17	95812-12080	BOLT, FLANGE	2				
18	95612-12100	NUT, U	2				
19	J0B-F3390-00	SHOCK ABSORBER ASSY 2	1				
20	90105-10267	BOLT, FLANGE	2				
21	JC1-F5103-00	HUB BEARING UNIT ASSY	2				
22	90114-12805	.BOLT, SERRATION	4				
23	93306-204X0	.BEARING	1				
24	93306-005Y3	.BEARING	1				
25	90387-241M7	.COLLAR	1				
26	93102-30083	.OIL SEAL	1				
27	90208-14801	WASHER, CONICAL SPRING	2				

FIG. 13 FRONT SUSPENSION & WHEEL



J0D1100-S130

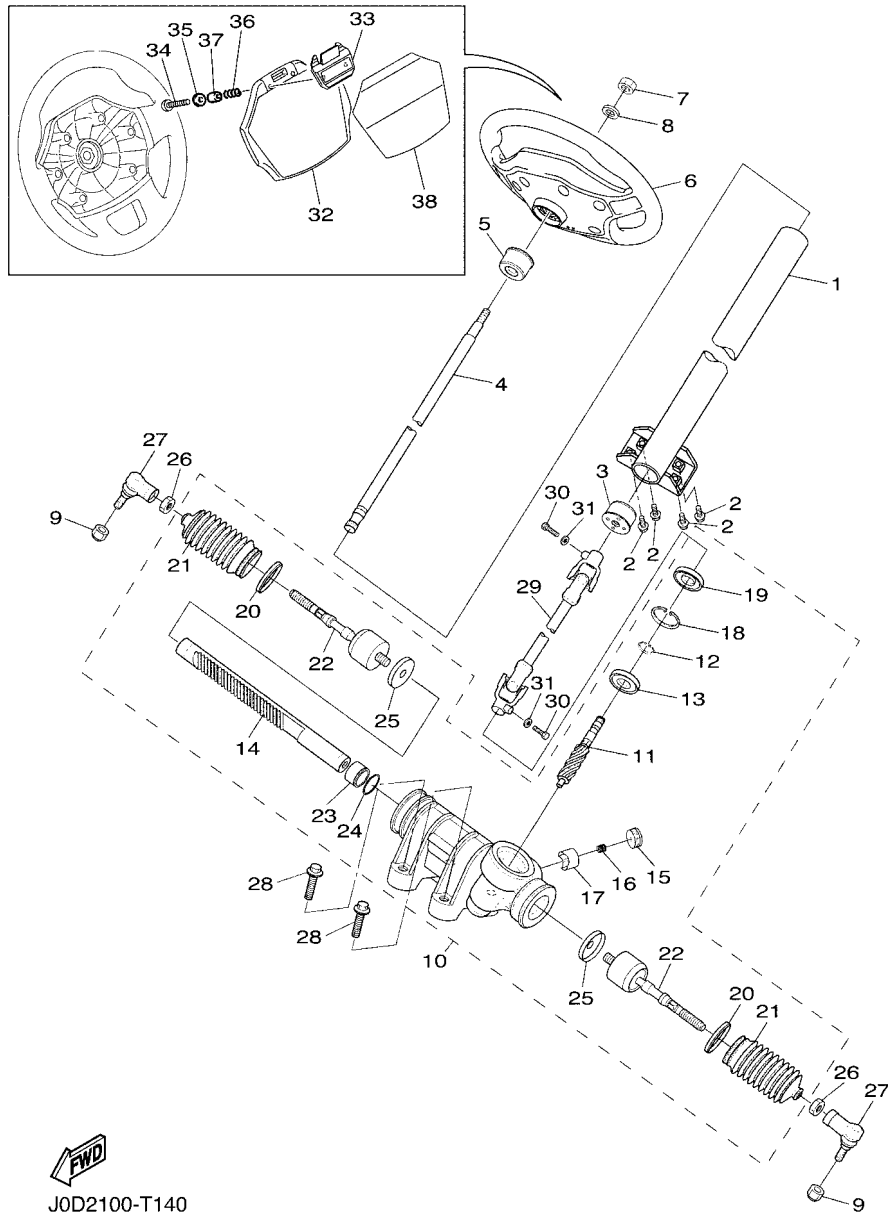
REF. NO.	PART NO.	DESCRIPTION	J0D2	REMARKS
28	95602-14100	NUT, U	2	
29	JN6-F5118-01	COVER, HUB DUST	2	
30	90179-12262	NUT	8	
31	JC1-F5100-01	WHEEL ASSY (205/65-10 4P)	2	



J0D2100-T140

FIG. 14 STEERING

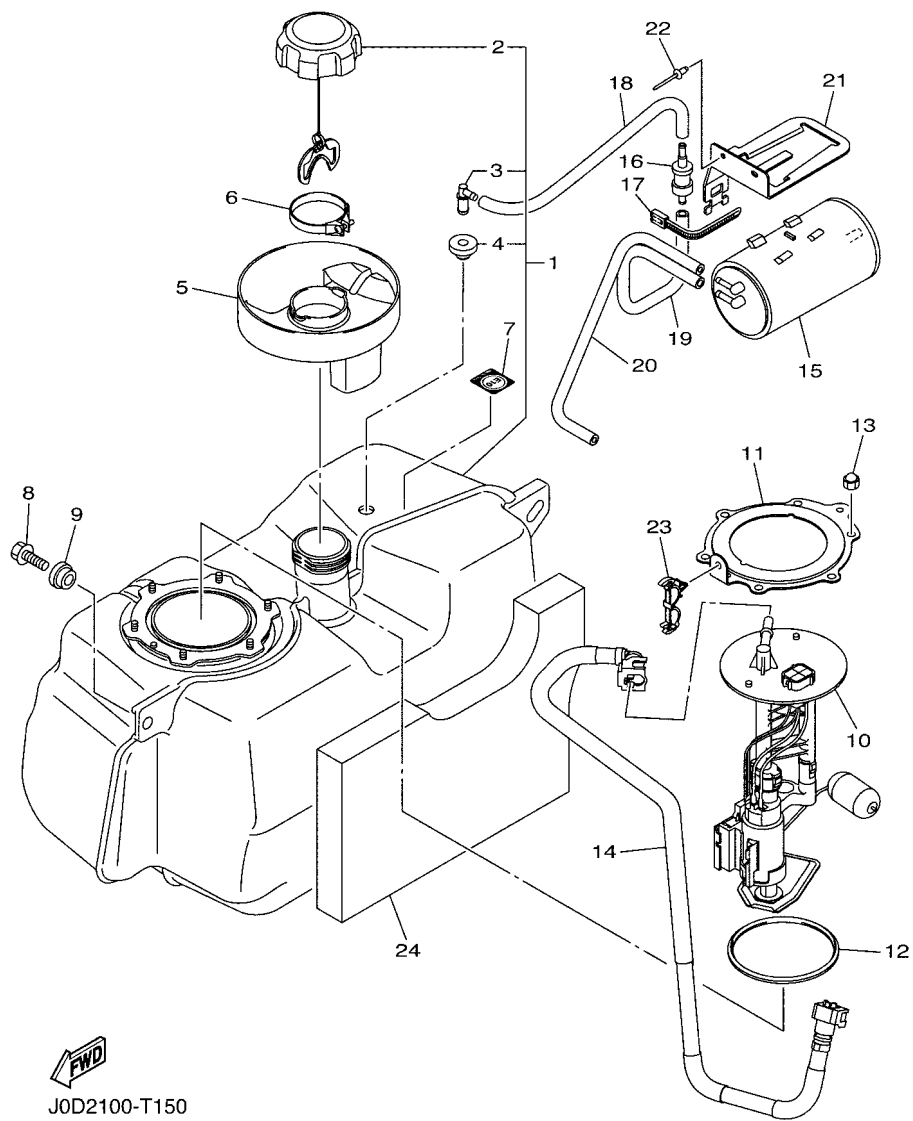
REF. NO.	PART NO.	DESCRIPTION	J0D2				REMARKS
1	JW1-F3811-03	COLUMN, STEERING	1				
2	95812-08020	BOLT, FLANGE	4				
3	JU0-F3857-11	HOLDER	1				
4	JU0-F3828-10	ROD, STEERING	1				
5	JU0-F3857-11	HOLDER	1				
6	J0B-F3838-00	WHEEL, STEERING	1				
7	90185-12008	NUT, SELF-LOCKING	1				
8	92902-12200	WASHER	1				
9	95602-12200	NUT, SELF-LOCKING	2				
10	JW1-F3400-00	STEERING ASSY	1				
11	JW1-F387A-00	.GEAR, PINION	1				
12	JW1-F3183-00	.CIRCLIP	1				
13	JW1-F3812-00	.BEARING, STEERING	1				
14	JW1-F387E-00	.GEAR, RACK	1				
15	5UG-F387G-00	.COVER, ADJUST	1				
16	5UG-F387K-00	.SPRING, PRESSURE	1				
17	5UG-F387F-00	.PAD, PRESSURE	1				
18	5UG-F387J-00	.RING, STOPPER	1				
19	5UG-F3844-00	.SEAL	1				
20	5UG-F3489-00	.BAND	2				
21	5UG-F3527-00	.SEAL, DUST 1	2				
22	JW1-F3837-00	.ROD, TIE 2	2				
23	JW1-F467K-00	.BUSH, CAP	1				
24	JW1-F3866-00	.CIRCLIP	1				
25	JW1-F3894-00	.WASHER, LOCK 1	2				
26	1P0-F3833-00	NUT 1	2				
27	JW8-23841-01	JOINT, UNIVERSAL 1	2				



J0D2100-T140

FIG. 14 STEERING

REF. NO.	PART NO.	DESCRIPTION	J0D2				REMARKS
28	90105-10847	BOLT, FLANGE	4				
29	JW1-F3822-01	JOINT 1	1				
30	97012-08030	BOLT	2				
31	92902-08600	WASHER, PLATE	2				
32	J0D-K8357-00	HOLDER 1	1				
33	J0B-K8358-00	HOLDER 2	1				
34	J0B-K7387-00	SCREW	2				
35	90201-04810	WASHER, PLATE	2				
36	J0B-K7363-00	SPRING	2				
37	J0B-K7115-00	COLLAR	2				
38	J0D-K7762-10	LABEL, WARNING 2	1				UR ENGLISH/FRENCH
	J0D-K7762-20	LABEL, WARNING 2	1				UR GERMAN/SPANISH



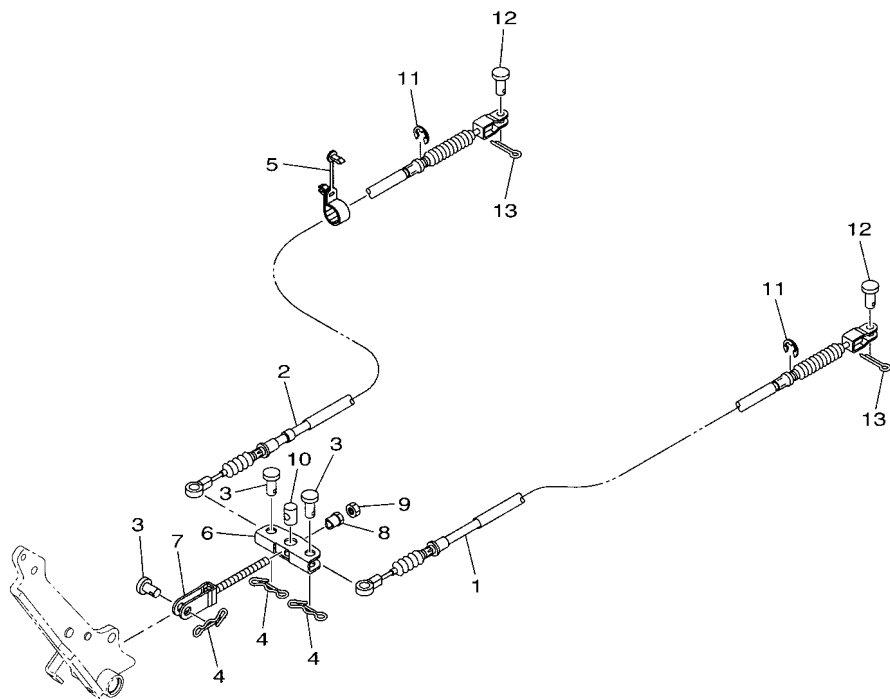
**FIG. 15 FUEL TANK**

REF. NO.	PART NO.	DESCRIPTION	J0D2				REMARKS
1	JC0-F4111-01	TANK, FUEL	1				
2	JW1-F4610-00	.CAP ASSY	1				
3	JW1-F4112-00	.PIPE	1				
4	JU5-F4375-00	.GROMMET	1				
5	J0B-F4217-00	COVER	1				
6	90450-54008	HOSE CLAMP ASSY	1				
7	B88-2817K-00	LABEL, FUEL	1				
8	JW1-F1738-00	BOLT	2				
9	90560-08251	SPACER	2				
10	J0D-13907-00	FUEL PUMP COMP.	1				
11	JC0-24491-00	BRACKET, FUEL PUMP	1				
12	1S3-24486-00	O-RING	1				
13	95302-06800	NUT, CROWN	6				
14	J0D-13971-00	PIPE, FUEL 1	1				
15	7CC-F4170-01	CANISTER ASSY	1				
16	4WM-24180-00	ROLL OVER VALVE ASSY	1				
17	90464-40825	CLAMP	1				
18	J0B-F4314-00	PIPE 4	1				
19	J0B-F4316-00	PIPE 6	1				
20	J0B-F4317-00	PIPE 7	1				
21	J0B-F419A-00	HOLDER	1				
22	JW7-K7329-00	RIVET	2				
23	90464-18246	CLAMP	1				
24	J0B-K8253-00	PAD, SILENCER 3	1				

J0D2100-T150



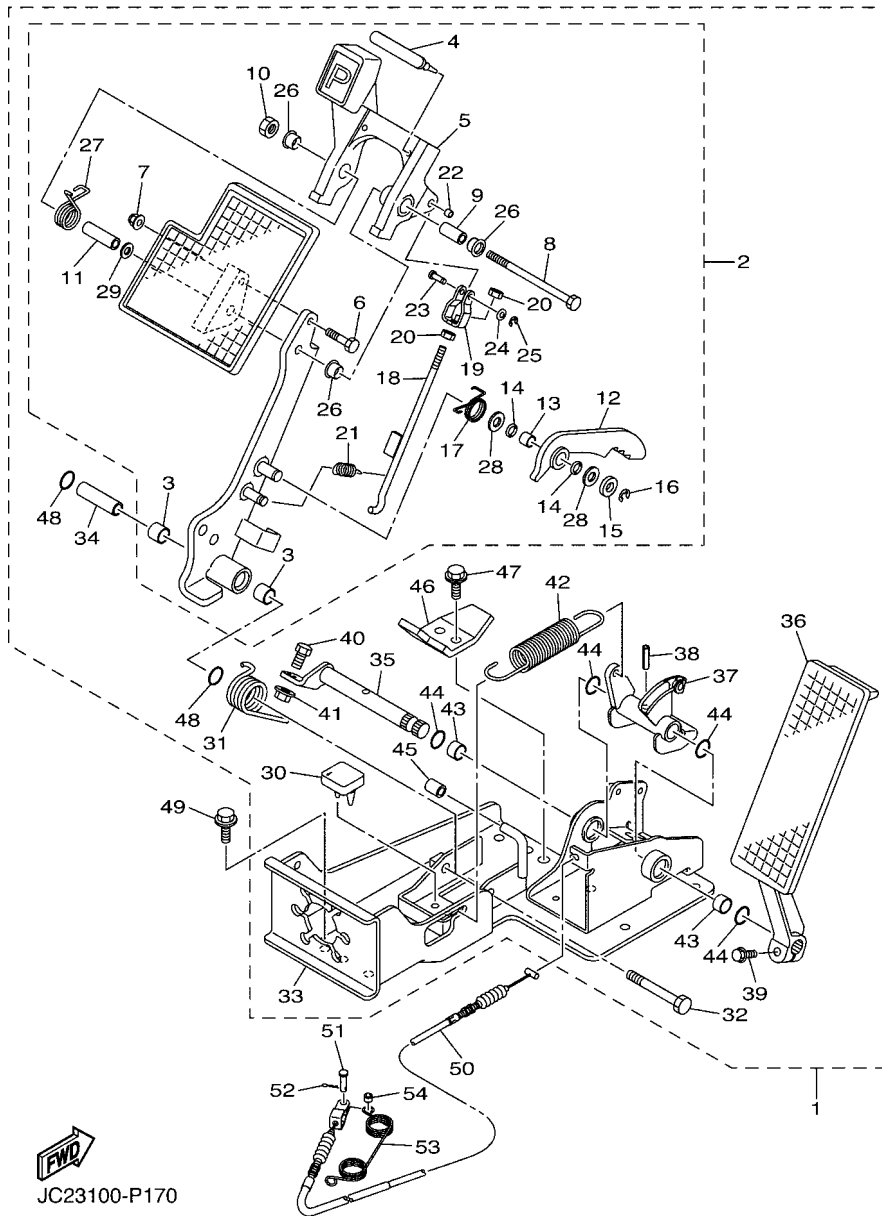
**FIG. 16 PEDAL WIRE**



REF. NO.	PART NO.	DESCRIPTION	JOB2				REMARKS
1	J0B-F6341-00	WIRE, BRAKE 1	1				
2	J0B-F6351-00	CABLE, BRAKE	1				
3	91702-10026	PIN, CLEVIS	3				
4	90468-20196	CLIP	3				
5	JW7-F312H-00	CLAMP	4				
6	JW8-F5681-10	EQUALIZER, BRAKE	1				
7	JN6-F5685-01	ROD	1				
8	90179-08822	NUT	1				
9	95307-08700	NUT	1				
10	90249-14129	PIN	1				
11	99001-09600	CIRCLIP	2				
12	91702-08018	PIN, CLEVIS	2				
13	91490-25015	PIN. COTTER	2				



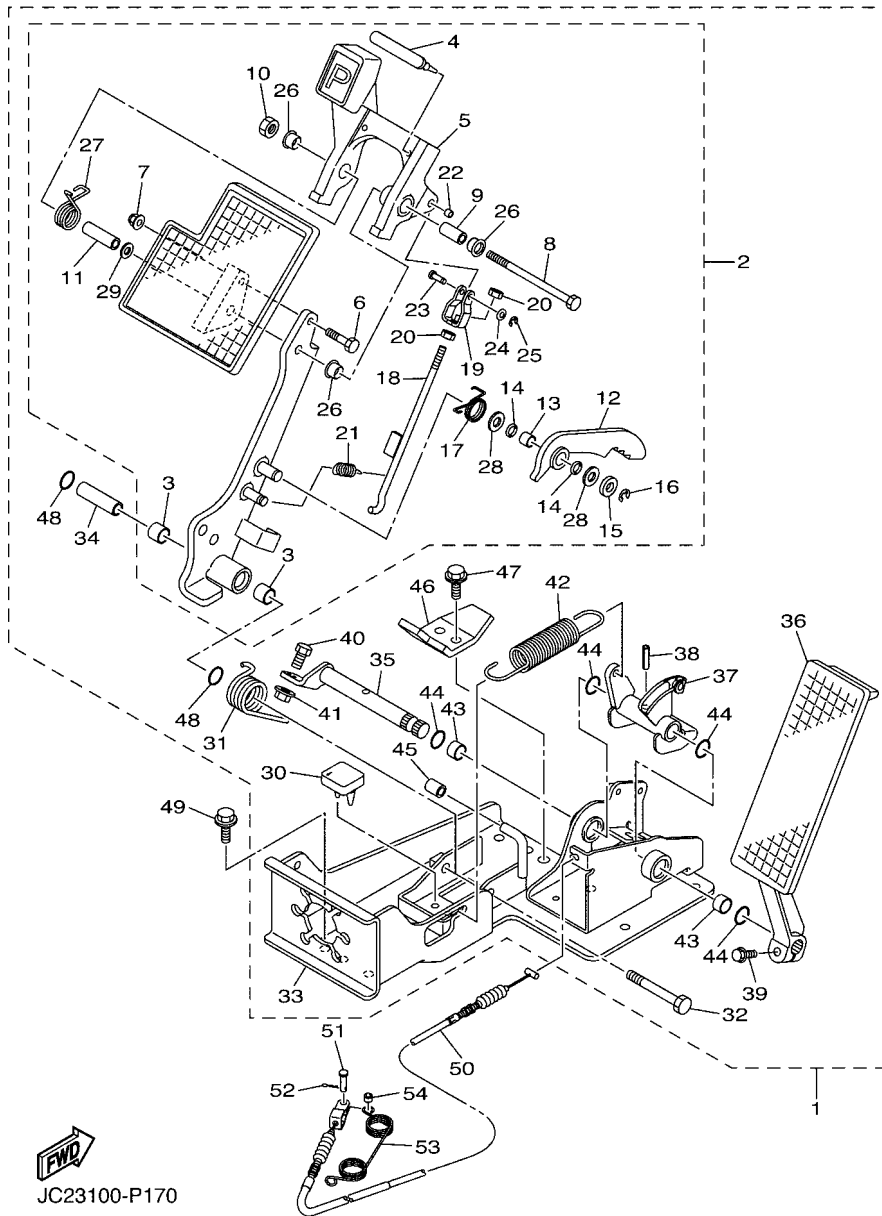
J0B1110-S150



JC23100-P170

FIG. 17 PEDAL ASSEMBLY

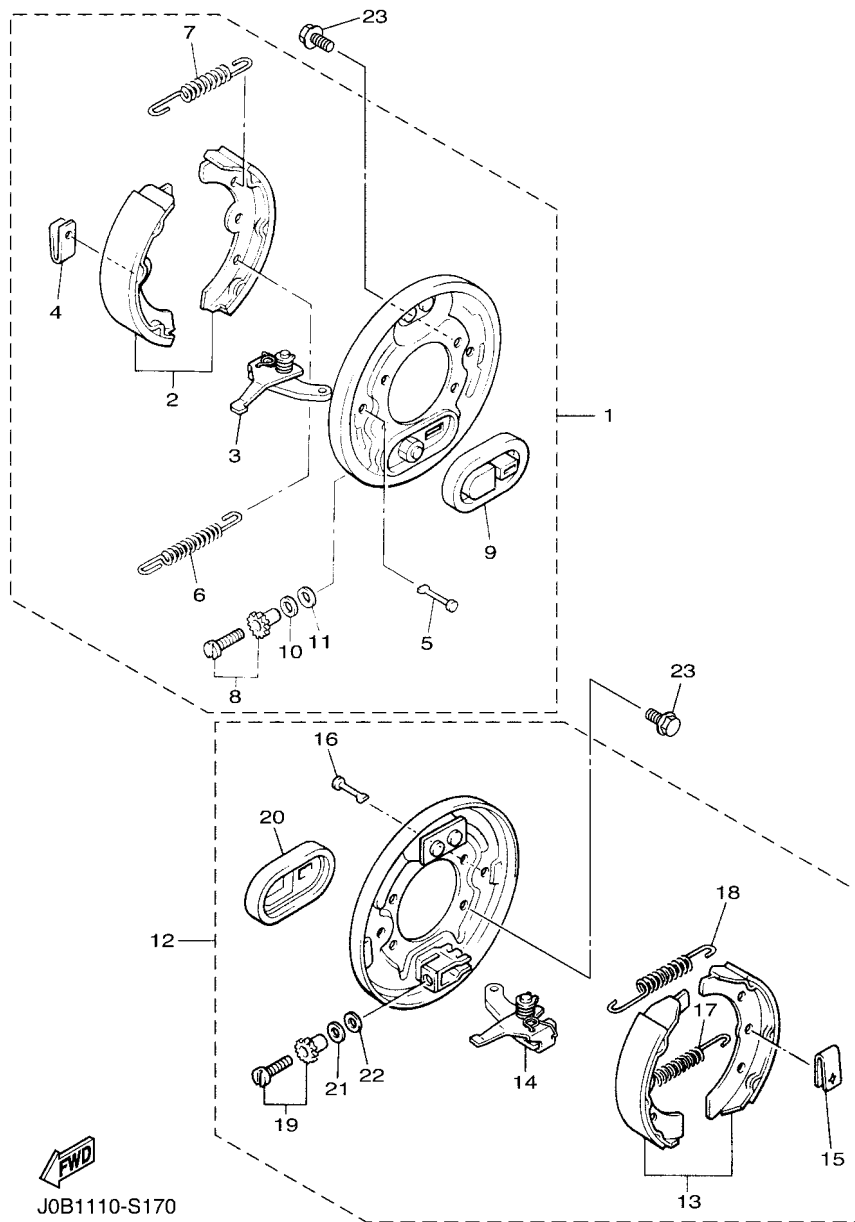
REF. NO.	PART NO.	DESCRIPTION	JDD2		REMARKS
1	JW8-F7850-31	PEDAL ASSY (L.H)	1		
2	JW9-F7200-21	.PEDAL, BRAKE	1		
3	JW8-F7814-21	.BUSH, PEDAL	2		
4	JW9-F5672-00	..PAD, PARKING PEDAL	1		
5	JW9-F5671-00	..PEDAL, PARKING BRAKE	1		
6	JW8-F7117-00	..BOLT, MAIN STAND	1		
7	JW8-F8363-00	..NUT	1		
8	JW8-F7416-00	..BOLT, FOOTREST	1		
9	JW8-F639N-00	..COLLAR	1		
10	JW8-F7218-00	..NUT	1		
11	JW8-F7113-00	..COLLAR, MAIN STAND	1		
12	JW9-F5666-00	..SECTOR, PARKING BRAKE	1		
13	JW8-F7121-00	..BUSH	1		
14	JW9-F7221-00	..SEAL, SHAFT	2		
15	JW8-F7322-00	..WASHER	1		
16	JW8-F3183-00	..CIRCLIP	1		
17	JW8-F7426-01	..SPRING, RETURN	1		
18	JW9-F7231-10	..ROD, BRAKE	1		
19	JW9-F7232-00	..END, ROD 2	1		
20	JW8-F7318-00	..NUT	2		
21	JW8-F6314-00	..SPRING	1		
22	JW8-F639L-00	..BUSH 1	1		
23	JW9-F7228-00	..PIN, JOINT	1		
24	JW8-F8323-00	..WASHER, LEG SHIELD	1		
25	JW8-F5415-00	..CIRCLIP	1		
26	90386-12800	..BUSH	3		
27	JW8-F7825-01	..SPRING, RETURN	1		



JC23100-P170

FIG. 17 PEDAL ASSEMBLY

REF. NO.	PART NO.	DESCRIPTION	J002				REMARKS
28	JW8-F7119-00	..WASHER	2				
29	JW8-F8319-00	..WASHER	1				
30	JW9-F7245-10	.PAD, BRAKE PEDAL	1				
31	JW8-F7316-01	.SPRING, SIDE STAND	1				
32	JW8-F7217-00	.BOLT	1				
33	JW8-F7445-31	.PLATE 1	1				
34	JW8-F7213-20	.COLLAR	1				
35	JW8-F7853-10	.SHAFT, PEDAL 1	1				
36	JW9-F7871-10	.PEDAL, ACCELERATOR	1				
37	JW8-F7872-30	.ARM, ACCELERATOR PEDAL	1				
38	JW8-F7438-00	.PIN, CLEVIS	1				
39	JW8-F7434-00	.BOLT	1				
40	JW8-F7317-00	.BOLT	1				
41	JW8-F7118-00	.NUT	1				
42	JW8-F815H-01	.SPRING	1				
43	JW8-F7814-21	.BUSH, PEDAL	2				
44	JW8-F4486-00	.O-RING	4				
45	JW9-F5673-00	.DAMPER, BRAKE	1				
46	JW9-F7246-20	.NAIL, BRAKE	1				
47	JW8-F8331-00	.BOLT, LEG SHIELD	2				
48	JW8-F4486-00	.O-RING	2				
49	95812-08020	BOLT, FLANGE	6				
50	J0B-F6311-00	CABLE, THROTTLE 1	1				
51	91702-05014	PIN, CLEVIS	1				
52	90468-10049	CLIP	1				
53	90508-16460	SPRING, TORSION	1				
54	90560-05001	SPACER	1				

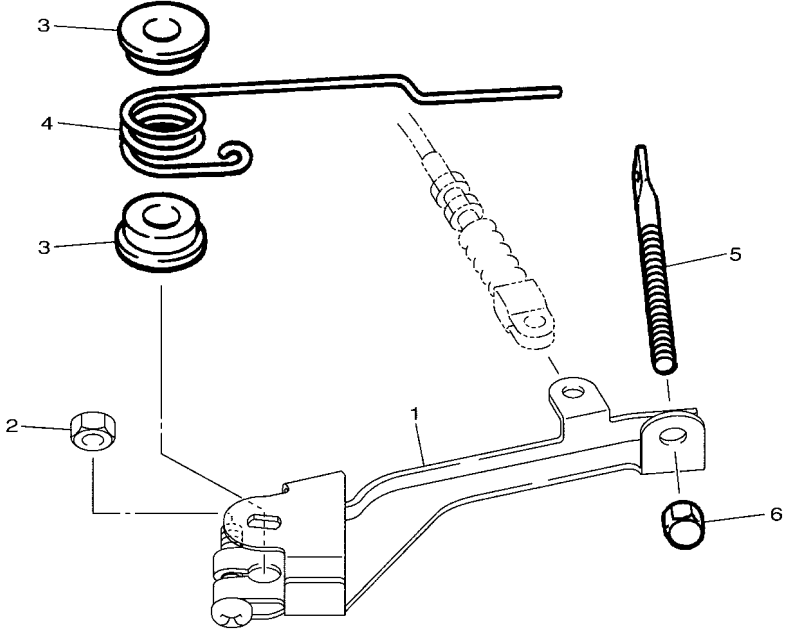


J0B1110-S170

FIG. 18 BRAKE

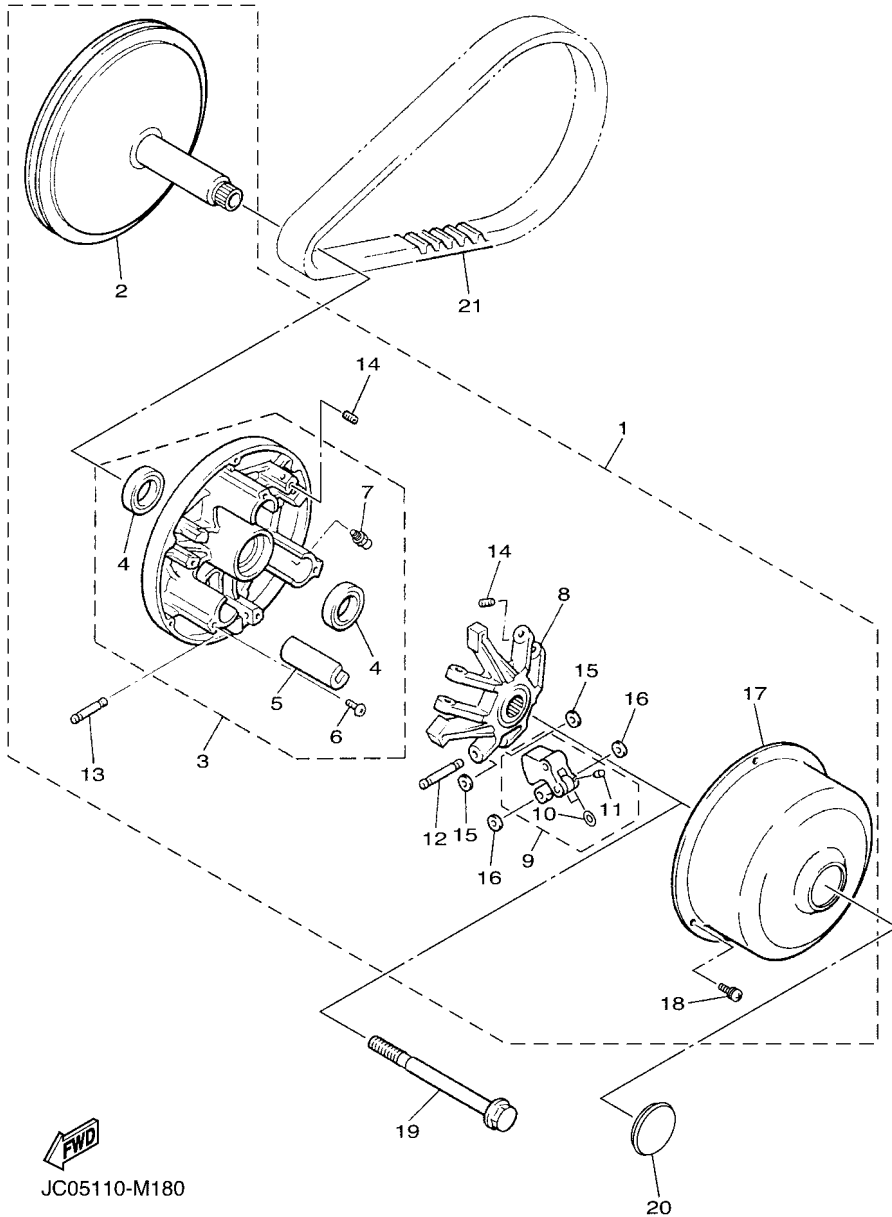
REF. NO.	PART NO.	DESCRIPTION	J0D2				REMARKS
1	JW8-F7280-00	BACKING PLATE ASSY 1	1				
2	JN9-W2536-00	.BRAKE SHOE SET	1				
3	J38-27204-00	.LEVER ASSY 1	1				
4	JW8-F7281-00	.SPRING, SHOE CLAMP	2				
5	J10-27282-00	.PIN, SHOE HOLD DOWN	2				
6	90506-20281	.SPRING, TENSION	1				
7	90506-14001	.SPRING, TENSION	1				
8	J55-27270-00	.ADJUSTER ASSY	1				
9	JW8-F7286-00	.COVER, DUST	1				
10	90201-121H9	.WASHER, PLATE	1				
11	90201-121H8	.WASHER, PLATE	1				
12	JW8-F7290-00	BACKING PLATE ASSY 2	1				
13	JN9-W2536-00	.BRAKE SHOE SET	1				
14	J38-27205-00	.LEVER ASSY 2	1				
15	JW8-F7281-00	.SPRING, SHOE CLAMP	2				
16	J10-27282-00	.PIN, SHOE HOLD DOWN	2				
17	90506-20281	.SPRING, TENSION	1				
18	90506-14001	.SPRING, TENSION	1				
19	J55-27260-00	.ADJUSTER ASSY	1				
20	JW8-F7286-00	.COVER, DUST	1				
21	90201-121H9	.WASHER, PLATE	1				
22	90201-121H8	.WASHER, PLATE	1				
23	90105-082A0	BOLT, FLANGE	8				

**FIG. 19 GOVERNOR**



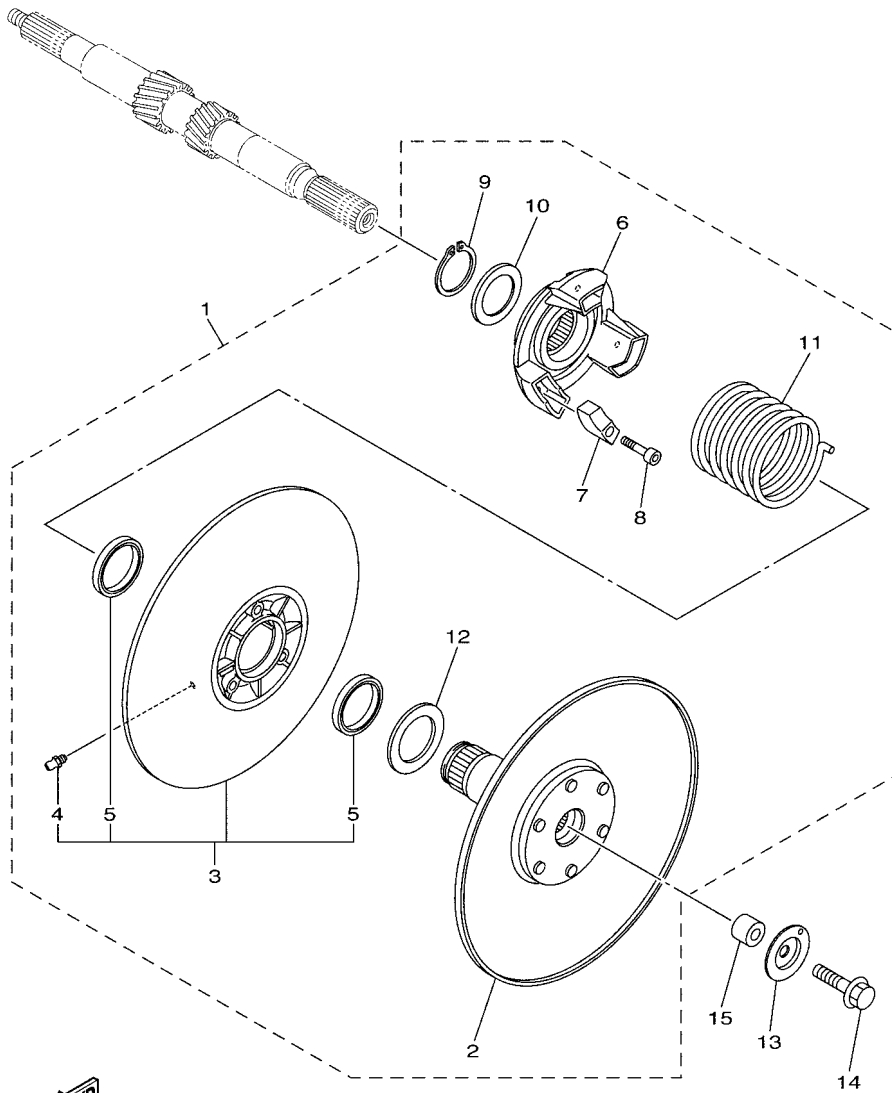
REF. NO.	PART NO.	DESCRIPTION	JOB2				REMARKS
1	J0B-27951-00	LEVER, SPEED LIMITER	1				
2	95302-06600	NUT, HEXAGON	1				
3	90386-08141	BUSH	2				
4	90508-40678	SPRING, TORSION	1				
5	J38-27959-00	SCREW, ADJUSTING	1				
6	95602-06200	NUT, SELF-LOCKING	1				

 JOB1110-S180



**FIG. 20 PRIMARY SHEAVE**

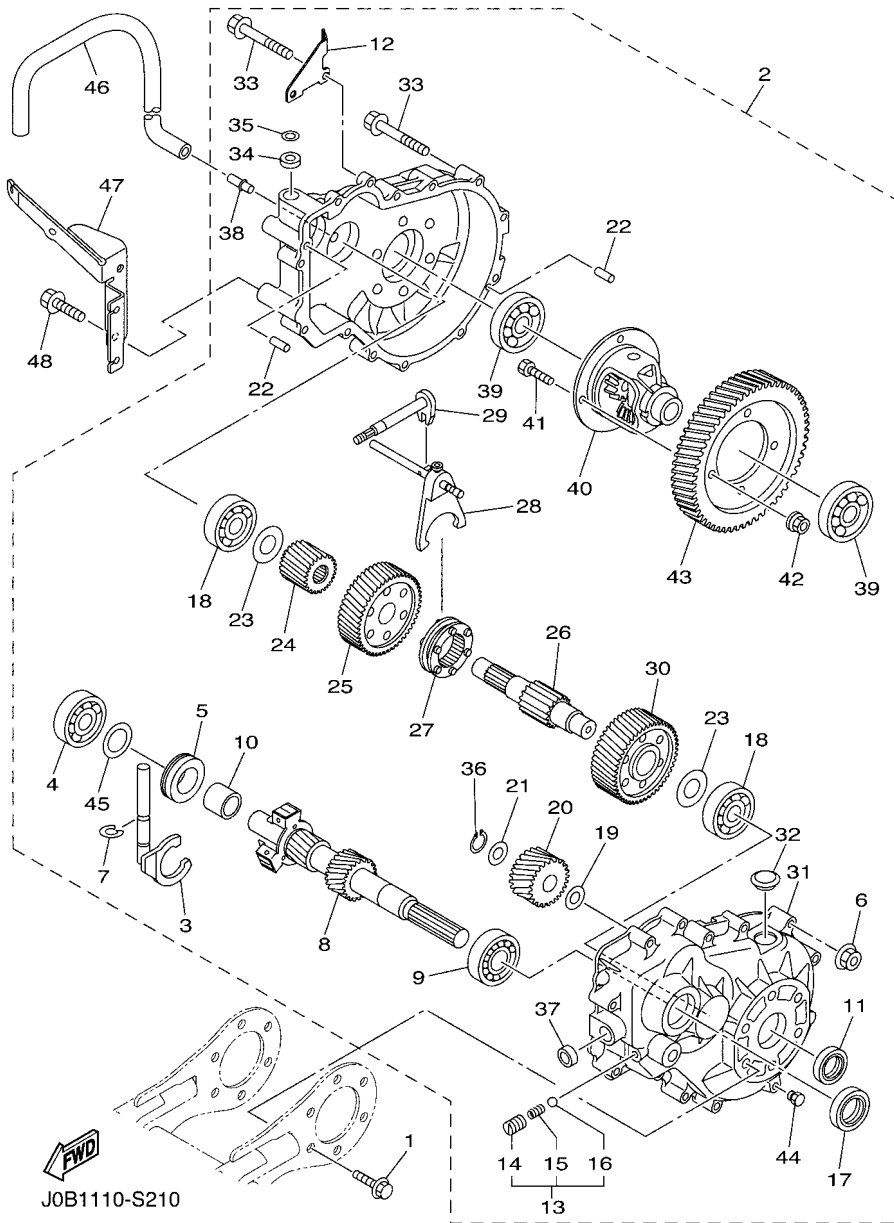
REF. NO.	PART NO.	DESCRIPTION	J0D2				REMARKS
1	J0B-G6201-01	PRIMARY CLUTCH ASSY	1				
2	JW8-G6210-01	.PRIMARY FIXED SHEAVE COMP.	1				
3	J0B-G6220-01	.PRIMARY SLIDING SHEAVE COMP.	1				
4	JW8-G624A-00	.OIL SEAL 1	2				
5	JW8-G6253-00	.SLIDER	3				
6	JW8-G4189-00	.SCREW	3				
7	JW8-F135J-00	.NIPPLE	1				
8	JW8-G6251-21	.SPIDER	1				
9	JW8-G6205-22	.WEIGHT LINK ASSY	3				
10	JW8-G5618-00	.WASHER, 1	2				
11	90113-04803	.BOLT, SET	2				
12	JW8-G6236-20	.PIN, WEIGHT	3				
13	JW8-G6237-20	.PIN, WEIGHT 2	3				
14	90113-04803	.BOLT, SET	6				
15	JW8-G5618-00	.WASHER, 1	6				
16	JW8-G5621-00	.WASHER, 2	6				
17	J0B-G6231-00	.CAP	1				
18	JW8-G5282-00	.SCREW	3				
19	JW8-G6249-00	BOLT	1				
20	JW8-G7339-00	PLUG	1				
21	J0D-G6241-00	BELT	1				



J0D2100-T210

**FIG. 21 SECONDARY SHEAVE**

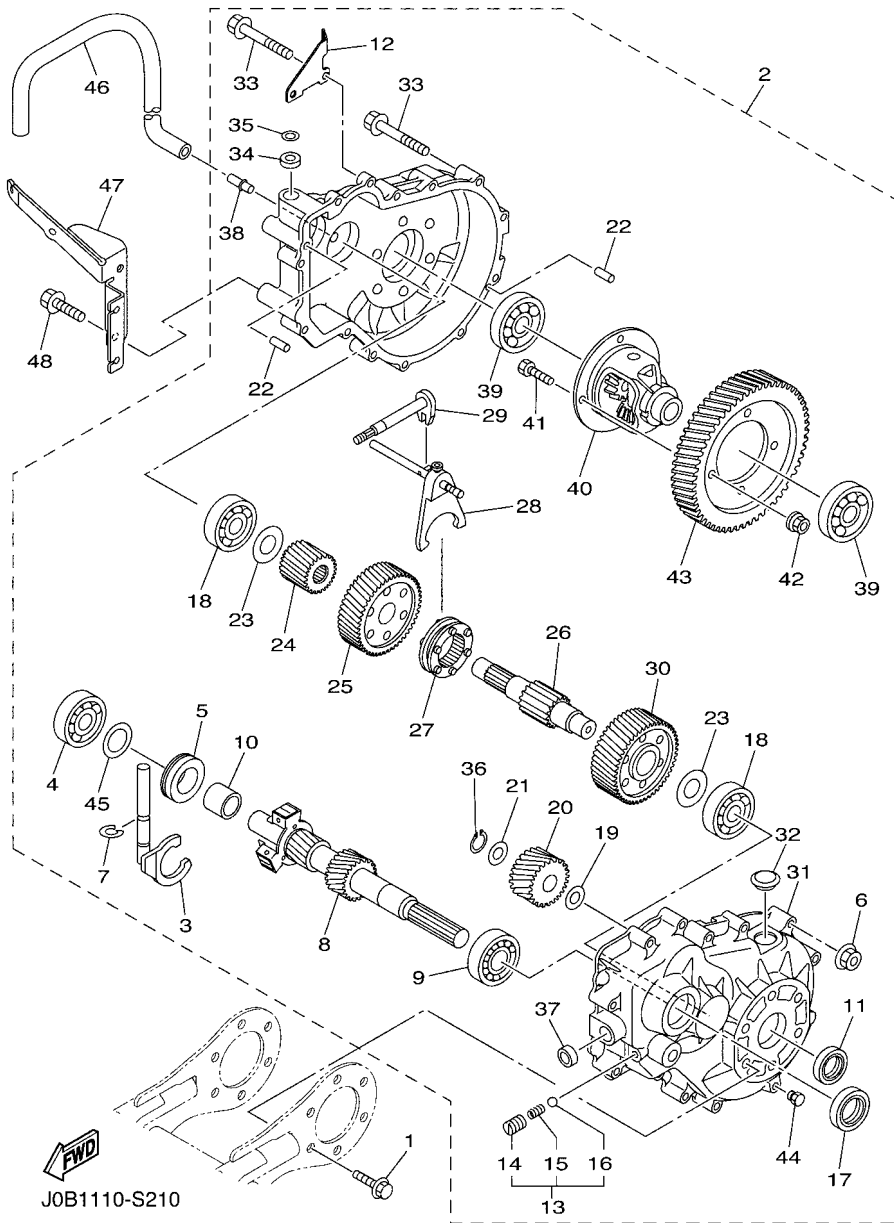
REF. NO.	PART NO.	DESCRIPTION	J0D2				REMARKS
1	JW8-G6202-23	SECONDARY SHEAVE ASSY	1				
2	JW8-G6260-23	.SECONDARY FIXED SHEAVE COMP.	1				
3	JW8-G6270-21	.SECONDARY SLIDING SHEAVE COMP.	1				
4	JW8-F135J-00	.NIPPLE	1				
5	JW8-G624B-00	.OIL SEAL 2	2				
6	JW8-G6284-10	.SEAT, SECONDARY SPRING	1				
7	JW8-E7688-00	.SHOE, RAMP	3				
8	JW8-G6159-00	.BOLT 3	3				
9	JW8-G5531-00	.CLIP, DRIVE SHAFT	1				
10	JW8-G6374-00	.COLLAR, SPRING	1				
11	JW8-G6275-10	.SPRING, CLUTCH 1	1				
12	JW8-G5677-00	.WASHER	1				
13	90209-08013	WASHER	1				
14	90105-08260	BOLT, FLANGE	1				
15	JW8-G5697-20	COLLAR	1				



**FIG. 22 TRANSMISSION**

REF. NO.	PART NO.	DESCRIPTION	J0D2				REMARKS
1	95812-10020	BOLT, FLANGE	6				
2	J0D-G6301-00	TRANSMISSION ASSY	1				
3	J0B-G633E-00	.BAR 1	1				
4	93306-303Y6	.BEARING	1				
5	JW8-E1923-00	.SLEEVE, GOVERNOR	1				
6	J0B-G2391-00	.NUT 1	13				
7	JU0-F722H-00	.RETAINER	1				
8	J0D-G6320-00	.INPUT SHAFT ASSY	1				
9	J0B-G6164-00	.BEARING 1	1				
10	J0B-G3127-00	.COLLAR	1				
11	J0B-G3812-00	.SEAL, DUST	2				
12	J0B-G6555-00	.BRACKET 2	1				
13	JU0-G6376-00	.SPRING SET	1				
14	90113-08803	.BOLT, SET	1				
15	90501-10852	.SPRING, COMPRESSION	1				
16	93500-06826	.BALL	1				
17	93102-25868	.OIL SEAL	1				
18	J0B-G580H-00	.BEARING ASSY	2				
19	90201-208H9	.WASHER, PLATE	1				
20	J0B-G6356-00	.GEAR, IDLER	1				
21	90201-208J0	.WASHER, PLATE	1				
22	93606-10842	.PIN, DOWEL	2				
23	J0B-G1297-00	.WASHER, 1	2				
24	J0B-G6316-00	.GEAR, PINION 1	1				
25	J0B-G6326-00	.GEAR, WHEEL 1	1				
26	J0B-G633G-00	.SHAFT	1				
27	J0B-G6153-00	.COLLAR, GUIDE	1				

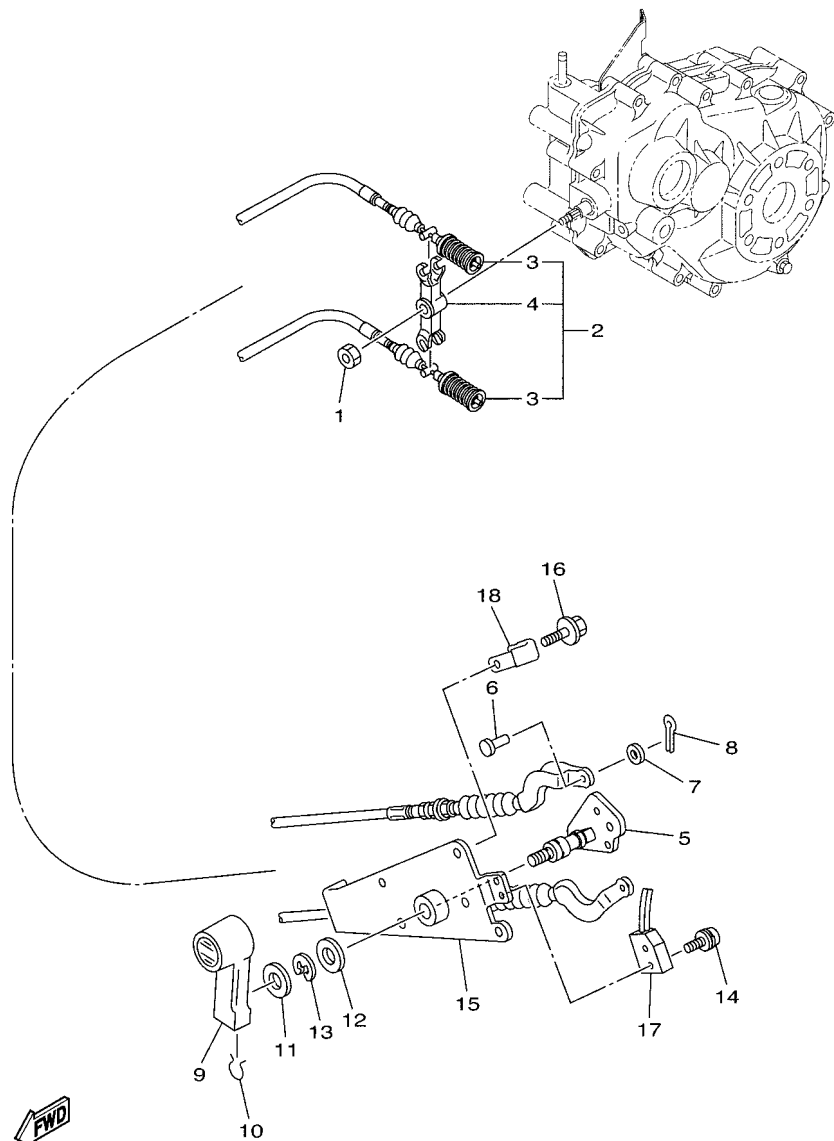




**FIG. 22 TRANSMISSION**

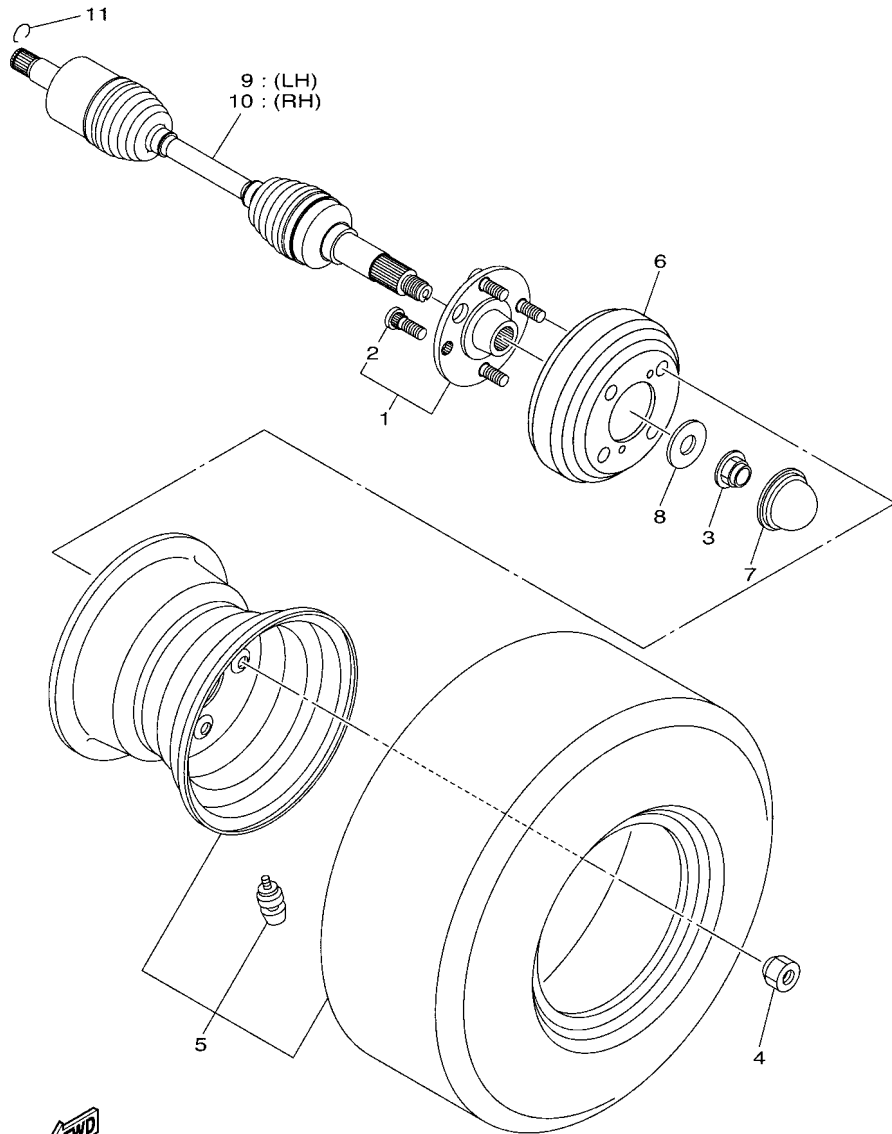
REF. NO.	PART NO.	DESCRIPTION	J0D2				REMARKS
28	J0B-G638E-00	.BAR, SHIFT 2	1				
29	J0B-G638A-00	.BAR, SHIFT 1	1				
30	J0D-G6327-00	.GEAR, WHEEL 2	1				
31	J0B-G6314-00	.COVER, TRANSMISSION	1				
32	JN3-G6432-00	.STOPPER	1				
33	J0B-G1148-00	.BOLT	13				
34	93109-10820	.OIL SEAL	1				
35	JU0-F723F-00	.WASHER, SPECIAL	1				
36	JW8-F47E3-00	.CIRCLIP	1				
37	93104-11829	.OIL SEAL	1				
38	JW8-G5378-00	.NIPPLE, HOSE	1				
39	93306-007Y0	.BEARING	2				
40	J0B-G6410-00	.DIFFERENTIAL ASSY.	1				
41	JC1-G2544-00	.BOLT	4				
42	90170-10840	.NUT	4				
43	J0B-G6355-00	.GEAR, PRIMARY	1				
44	J0B-G5148-00	.PLUG, DRAIN	1				
45	JN3-G6344-00	.SHIM, 0.76MM (0.030IN)	1				
46	JW8-G2541-00	PIPE 1	1				
47	J0B-G6556-00	BRACKET 3	1				
48	90105-08867	BOLT, FLANGE	2				

**FIG. 23 SHIFTER & CABLES**



J0B1110-S220

REF. NO.	PART NO.	DESCRIPTION	J0D2				REMARKS
1	95602-08100	NUT, U	1				
2	J0B-G8330-00	CABLE END ASSY	1				
3	J0B-G6371-00	.WIRE, SHIFT	2				
4	JW8-G6383-10	.LEVER, SHIFT 2	1				
5	J0B-G6382-00	LEVER, SHIFT 1	1				
6	91702-06014	PIN, CLEVIS	2				
7	92902-06600	WASHER, PLATE	2				
8	91402-20012	PIN, COTTER	2				
9	JN3-G6381-00	KNOB, SHIFT	1				
10	JN3-G6376-00	SPRING SET	1				
11	90201-208S8	WASHER, PLATE	1				
12	90201-198S7	WASHER, PLATE	1				
13	99009-19400	CIRCLIP	1				
14	97602-04316	SCREW, PAN HEAD WITH WASHER	2				
15	J0B-G6372-10	BRACKET, SHIFT WIRE	1				
16	90105-06831	BOLT, FLANGE	3				
17	JN3-82617-01	SWITCH	1				
18	90465-06038	CLAMP	1				

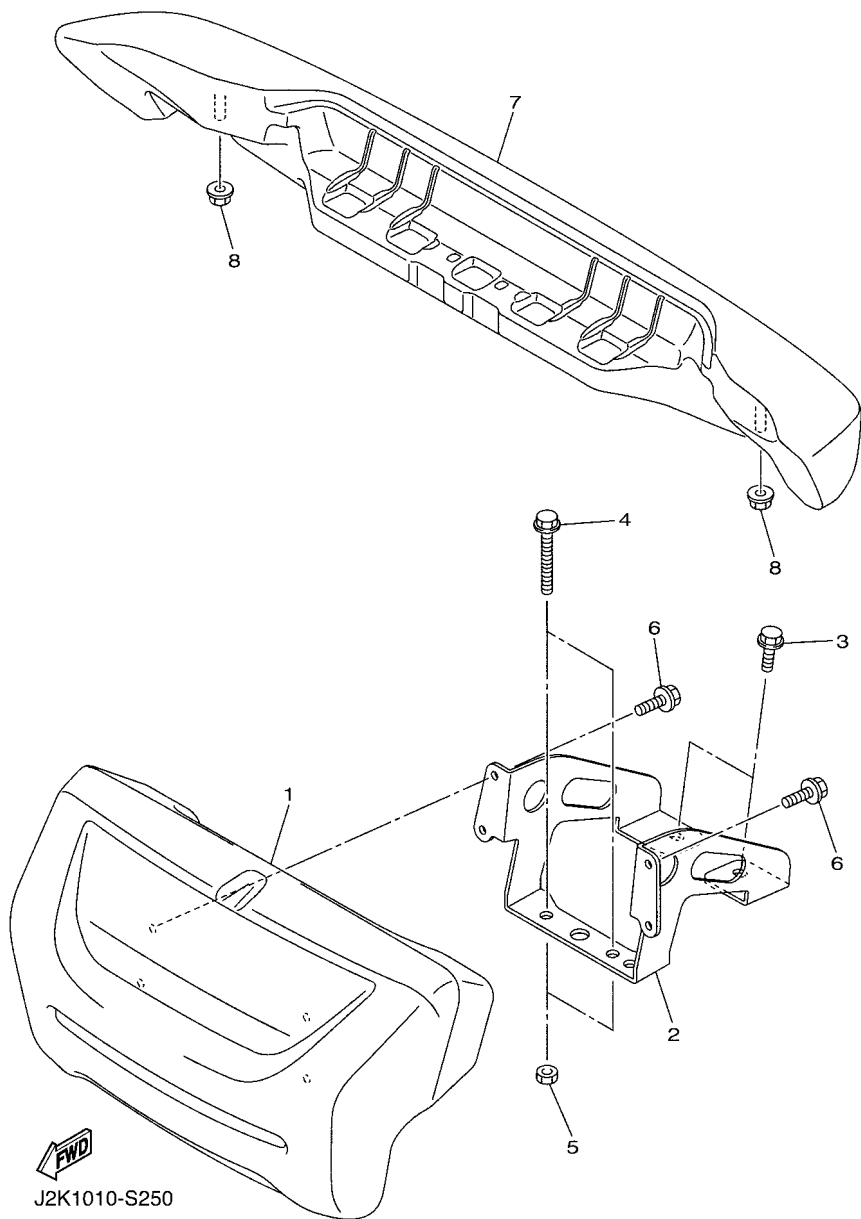


J0D1100-S240

**FIG. 24 REAR AXLE & WHEEL**

REF. NO.	PART NO.	DESCRIPTION	J0D2				REMARKS
1	J0B-F5310-02	HUB ASSY	2				
2	90114-12006	.BOLT, SERRATION	4				
3	90179-20016	NUT	2				
4	90179-12262	NUT	8				
5	JC1-F5100-01	WHEEL ASSY (205/65-10 4P)	2				
6	JW3-G6521-00	DRUM	2				
7	JW8-F5118-00	COVER, HUB DUST	2				
8	90201-20035	WASHER, PLATE	2				
9	J0B-F518F-00	DRIVE SHAFT ASSY	1				
10	J0B-F518G-00	DRIVE SHAFT ASSY	1				
11	93450-22119	CIRCLIP	2				

**FIG. 25 BUMPER**



REF. NO.	PART NO.	DESCRIPTION	JDD2	REMARKS
1	J0B-K7510-01	FRONT BUMPER COMP.	1	
2	J0B-K8164-00	STAY, FRONT BUMPER (L.H)	1	
3	95812-08016	BOLT, FLANGE	2	
4	95812-08050	BOLT, FLANGE	2	
5	95302-08700	NUT, HEXAGON	2	
6	95822-06012	BOLT, FLANGE	4	
7	J0B-K7540-00	REAR BUMPER COMP.	1	
8	95602-10200	NUT, S/L FLANGE	2	

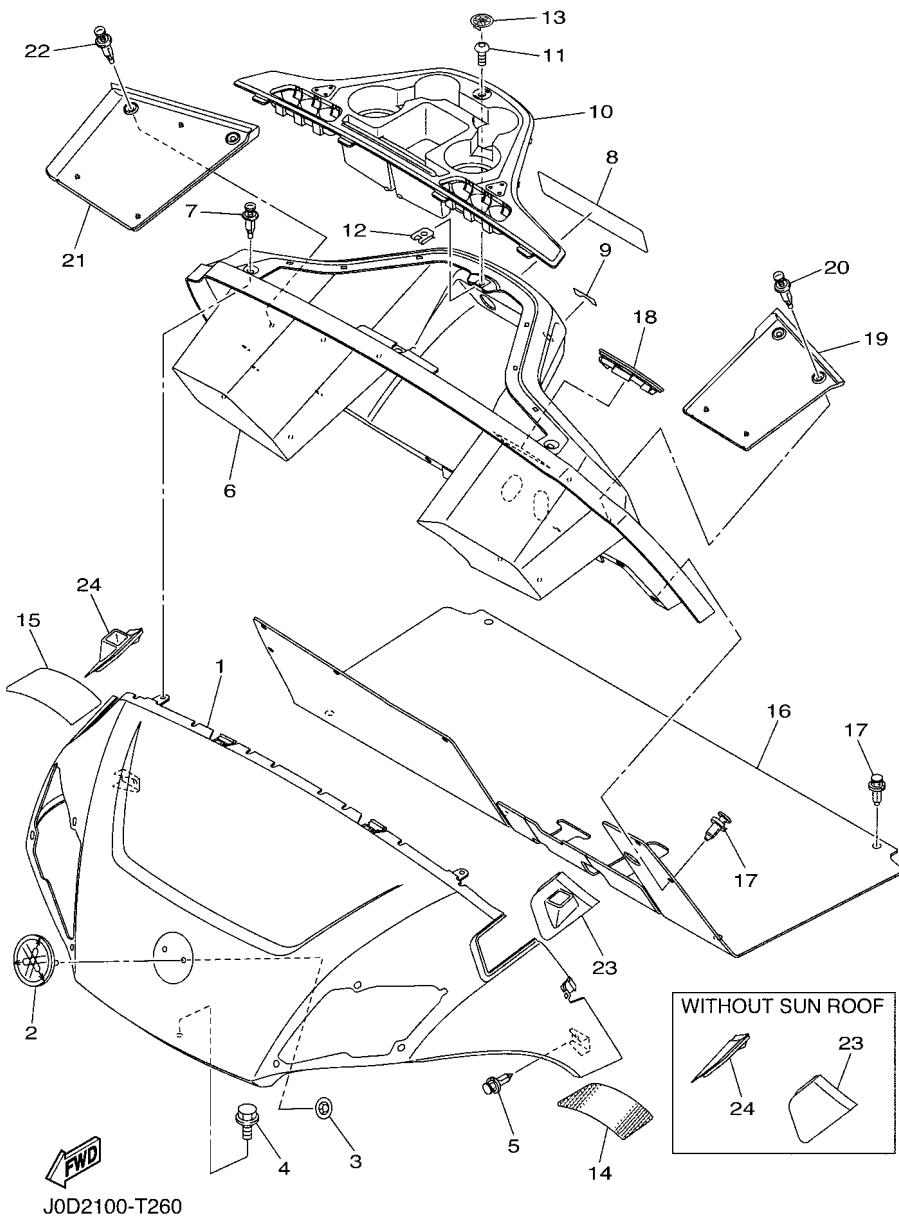
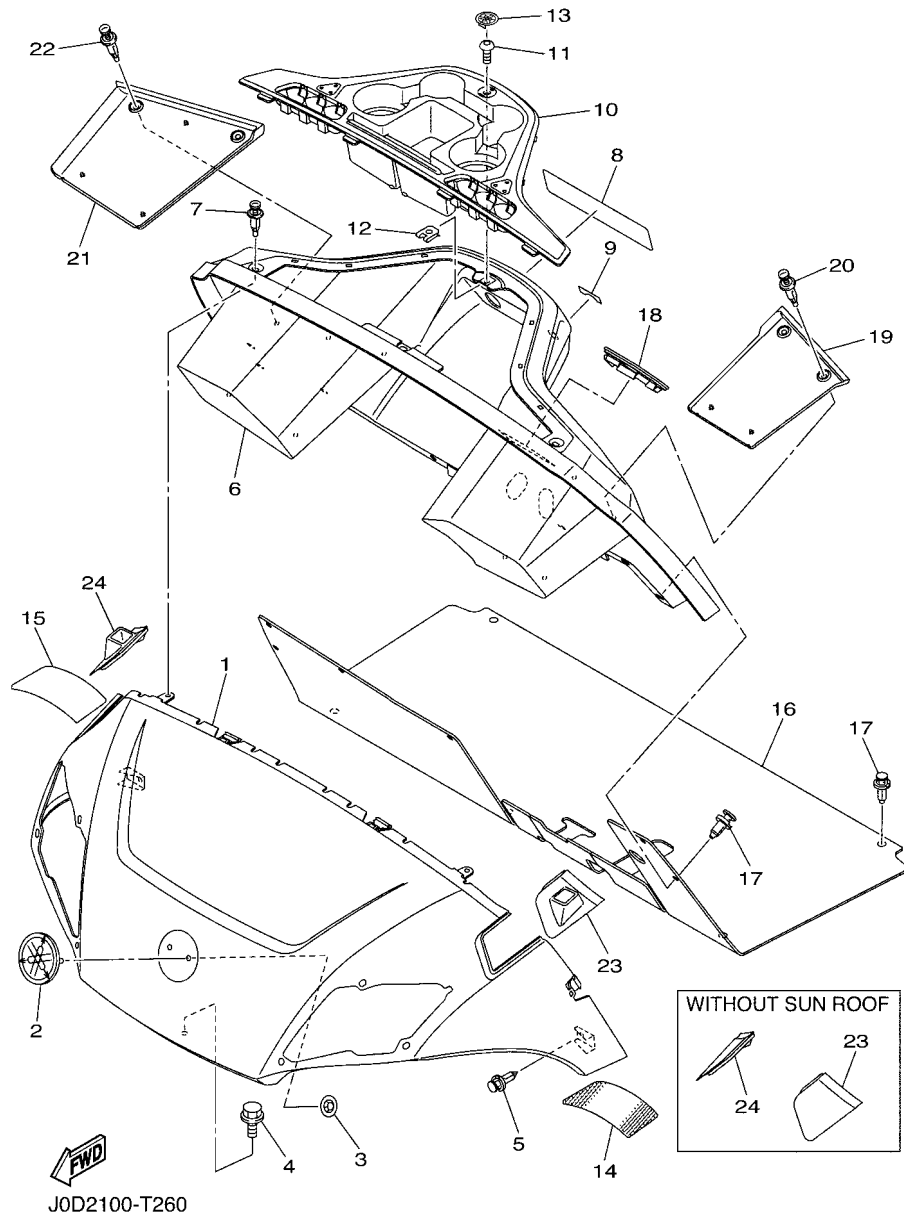


FIG. 26 BODY

REF. NO.	PART NO.	DESCRIPTION	J0D2		REMARKS
1	J0D-K8115-A0	COWL, FRONT	1		UR FOR BW1
	J0D-K8115-00	COWL, FRONT	1		UR FOR DNBME
	J0D-K8115-20	COWL, FRONT	1		UR FOR LN YM8
	J0D-K8115-30	COWL, FRONT	1		UR FOR LNMP
	J0D-K8115-40	COWL, FRONT	1		UR FOR DYNM2
	J0D-K8115-70	COWL, FRONT	1		UR FOR DRMV
	J0D-K8115-80	COWL, FRONT	1		UR FOR BMG
	J0D-K8115-90	COWL, FRONT	1		UR FOR VPBM6
2	J0B-F4161-00	EMBLEM 1	1		
3	JU0-K7573-00	NUT, SPECIAL	2		
4	90105-06831	BOLT, FLANGE	1		
5	90269-06804	RIVET	2		
6	J0D-K8114-01	PANEL, FRONT	1		
7	90269-07805	RIVET	3		
8	J0B-K7768-00	LABEL, WARNING 8	1		UR ENGLISH
	J0B-K7768-10	LABEL, WARNING 8	1		UR ENGLISH/FRENCH
	J0B-K7768-20	LABEL, WARNING 8	1		UR GERMAN/SPANISH
9	J0D-K8282-10	PLATE, SWITCH PANEL	1		
10	J0B-K835E-00	HOLDER, BEVERAGE	1		
11	90111-05805	BOLT, HEX. SOCKET BUTTON	1		
12	90183-05008	NUT, SPRING	1		
13	J0B-H2370-00	PLUG CAP ASSY	1		
14	J0D-H333B-00	REFLECTOR 1	1		
15	J0D-H334B-00	REFLECTOR, 2	1		
16	J0D-K8233-00	MAT, MAIN FLOOR 3	1		
17	90269-09003	RIVET	12		
18	J0B-K8273-10	COVER, HOLE	1		



**FIG. 26 BODY**

REF. NO.	PART NO.	DESCRIPTION	J0D2				REMARKS
19	J0B-K8243-00	MAT, REAR BODY SIDE (LH)	1				
20	90269-07805	RIVET	2				
21	J0B-K8244-00	MAT, REAR BODY SIDE (RH)	1				
22	90269-07805	RIVET	2				
23	J1B-K832F-00	GROMMET, ROOF SUPPORT 1	1				WITH SUN ROOF
	J0B-K832F-00	GROMMET, ROOF SUPPORT 1	1				WITHOUT SUN ROOF
24	J1B-K832G-00	GROMMET, ROOF SUPPORT 2	1				WITH SUN ROOF
	J0B-K832G-00	GROMMET, ROOF SUPPORT 2	1				WITHOUT SUN ROOF

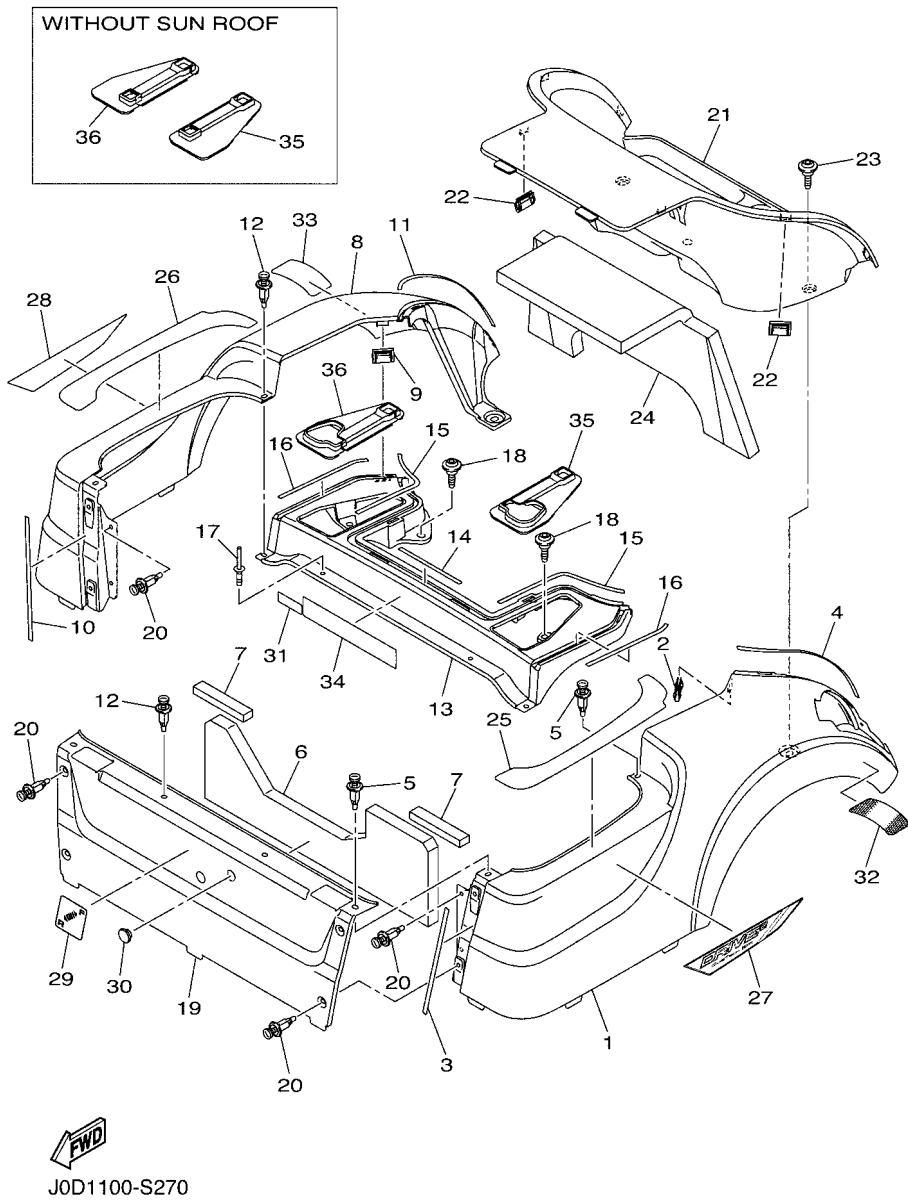
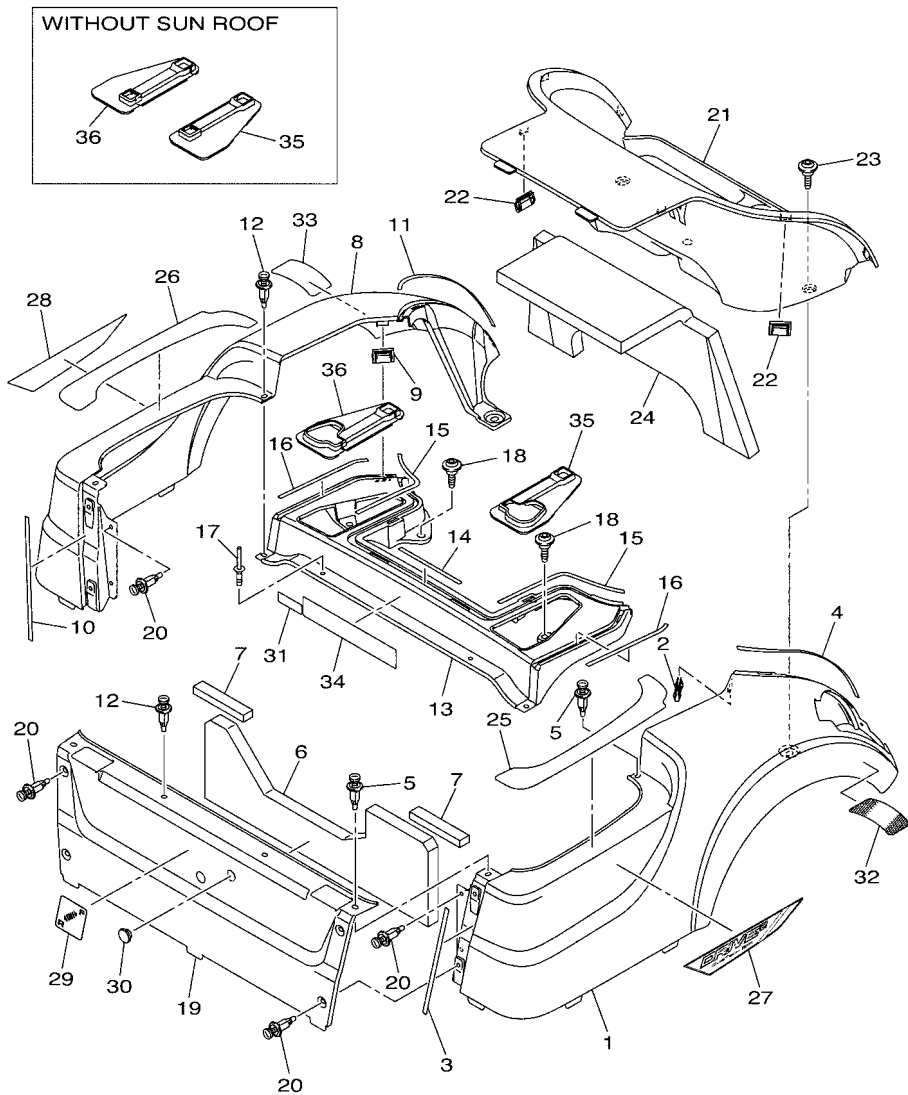


FIG. 27 BODY 2

REF. NO.	PART NO.	DESCRIPTION	J0D2	REMARKS
1	J0D-K8111-A0	PANEL, BODY SHELL	1	UR FOR BW1
	J0D-K8111-00	PANEL, BODY SHELL	1	UR FOR DNBME
	J0D-K8111-20	PANEL, BODY SHELL	1	UR FOR LNYM8
	J0D-K8111-30	PANEL, BODY SHELL	1	UR FOR LNMP
	J0D-K8111-40	PANEL, BODY SHELL	1	UR FOR DYNM2
	J0D-K8111-70	PANEL, BODY SHELL	1	UR FOR DRMV
	J0D-K8111-80	PANEL, BODY SHELL	1	UR FOR BMG
	J0D-K8111-90	PANEL, BODY SHELL	1	UR FOR VPBM6
2	J0B-F3447-00	CLIP	1	
3	J0B-K814E-00	SEAL, BODY SIDE 1	1	
4	J0B-K814F-00	SEAL, BODY SIDE 2	1	
5	90269-07805	RIVET	3	
6	J0B-K8251-00	PAD, SILENCER 1	1	
7	J0D-K825G-00	PAD, SILENCER 13	2	
8	J0D-K8112-A0	PANEL, BODY SHELL	1	UR FOR BW1
	J0D-K8112-00	PANEL, BODY SHELL	1	UR FOR DNBME
	J0D-K8112-20	PANEL, BODY SHELL	1	UR FOR LNYM8
	J0D-K8112-30	PANEL, BODY SHELL	1	UR FOR LNMP
	J0D-K8112-40	PANEL, BODY SHELL	1	UR FOR DYNM2
	J0D-K8112-70	PANEL, BODY SHELL	1	UR FOR DRMV
	J0D-K8112-80	PANEL, BODY SHELL	1	UR FOR BMG
	J0D-K8112-90	PANEL, BODY SHELL	1	UR FOR VPBM6
9	J0B-F3447-00	CLIP	1	
10	J0B-K814E-00	SEAL, BODY SIDE 1	1	
11	J0B-K814F-00	SEAL, BODY SIDE 2	1	
12	90269-07805	RIVET	3	
13	J0B-K819H-00	SHELL, REAR BODY	1	



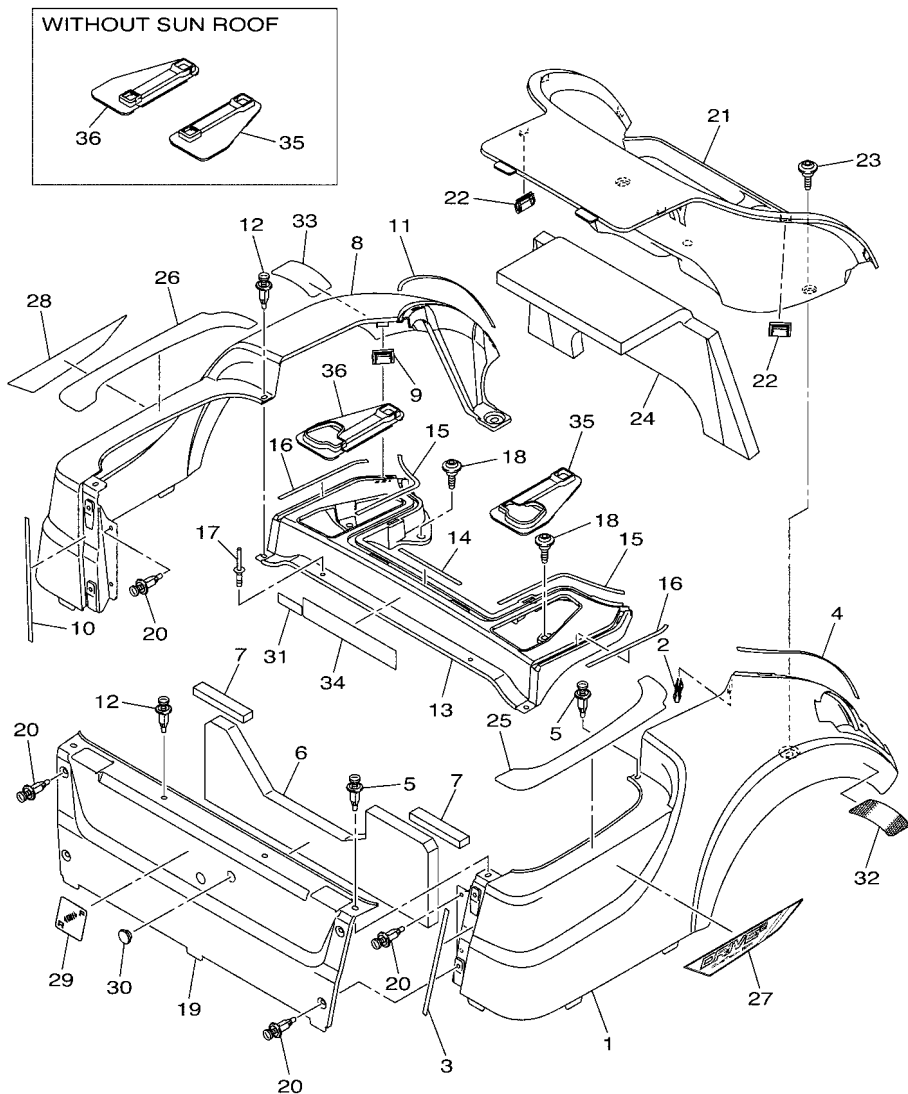
J0D1100-S270

FIG. 27 BODY 2

REF. NO.	PART NO.	DESCRIPTION	J0D2		REMARKS
14	J0B-K814R-00	SEAL, BODY SIDE 3	1		
15	J0B-K814T-00	SEAL, BODY SIDE 4	2		
16	J0B-K814U-00	SEAL, BODY SIDE	2		
17	JW7-K7329-00	RIVET	2		
18	J0B-F1738-00	BOLT	4		
19	J0B-K8141-A0	PANEL, INTERMEDIATE BODY	1		UR FOR BW1
	J0B-K8141-00	PANEL, INTERMEDIATE BODY	1		UR FOR DNBME
	J0B-K8141-20	PANEL, INTERMEDIATE BODY	1		UR FOR LNYM8
	J0B-K8141-30	PANEL, INTERMEDIATE BODY	1		UR FOR LNMP
	J0B-K8141-40	PANEL, INTERMEDIATE BODY	1		UR FOR DYNM2
	J0B-K8141-70	PANEL, INTERMEDIATE BODY	1		UR FOR DRMV
	J0B-K8141-80	PANEL, INTERMEDIATE BODY	1		UR FOR BMG
	J0B-K8141-90	PANEL, INTERMEDIATE BODY	1		UR FOR VPBM6
20	90269-07805	RIVET	8		
21	J0B-K8237-02	COVER, REAR FLOOR	1		
22	J0B-F3447-00	CLIP	4		
23	J0B-F1738-00	BOLT	2		
24	J0B-K8255-01	PAD, SILENCER 5	1		
25	J0B-F2873-01	SEAL 1	1		
26	J0B-F2874-01	SEAL 2	1		
27	J0D-F1781-20	EMBLEM 1	1		FOR DYNM2,BMG
	J0D-F1781-30	EMBLEM 1	1		EXCEPT DYNM2,BMG
28	J0D-F1782-20	EMBLEM 2	1		FOR DYNM2,BMG
	J0D-F1782-30	EMBLEM 2	1		EXCEPT DYNM2,BMG
29	JW1-K7741-00	INDICATOR 1	1		
30	JR1-K8139-00	CAP, END	1		
31	JN6-H2377-00	LABEL	1		



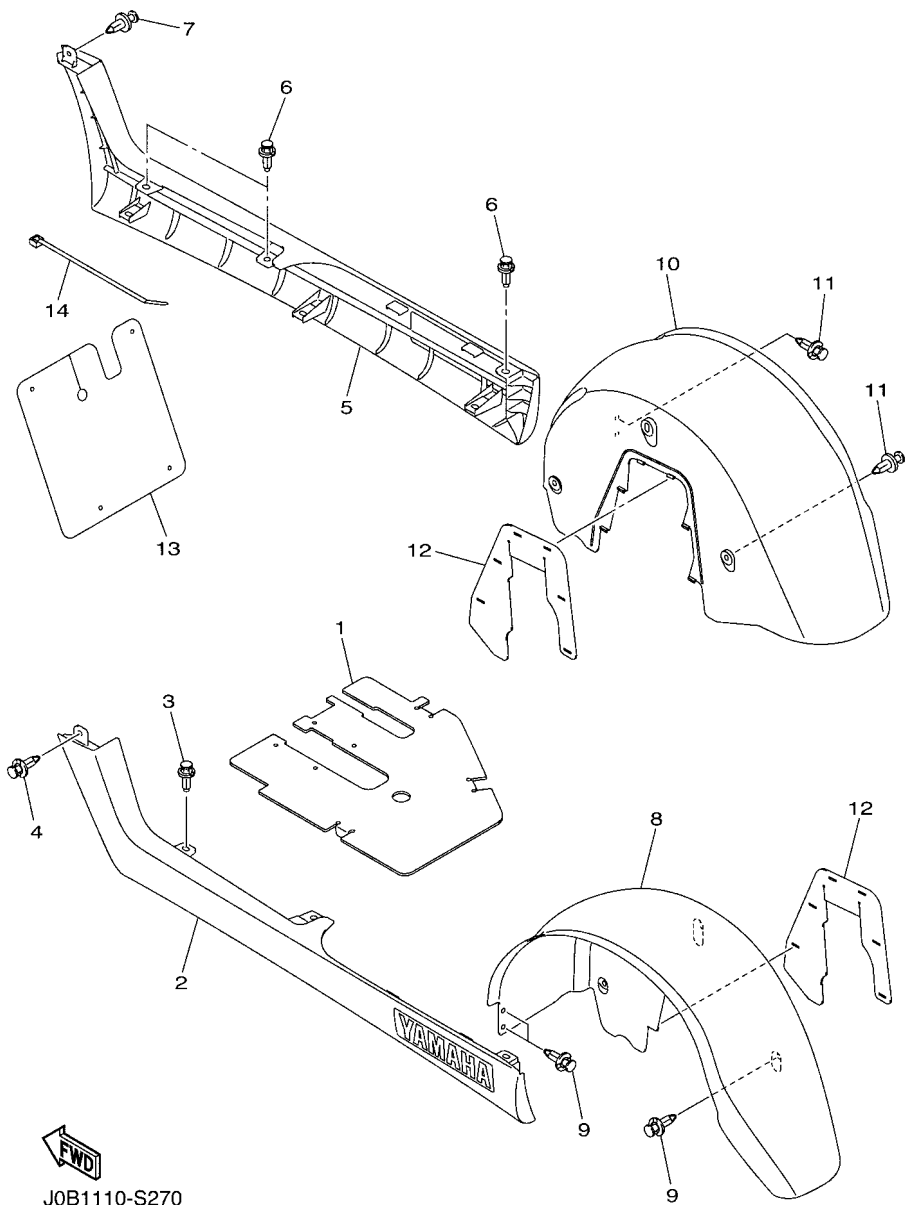
FIG. 27 BODY 2



J0D1100-S270

REF. NO.	PART NO.	DESCRIPTION	J0D2	REMARKS
32	J0D-H360G-00	REFLECTOR 3	1	
33	J0D-H360H-00	REFLECTOR 4	1	
34	JW1-K8297-20	PLATE, CAUTION 1	1	UR FOR CAN
	JW1-K8297-30	PLATE, CAUTION 1	1	UR EXCEPT FOR CAN
35	J0B-K817H-10	TRIM, SIDE PANEL 1	1	WITH SUN ROOF
	J0B-K817H-00	TRIM, SIDE PANEL 1	1	WITHOUT SUN ROOF
36	J0B-K817J-10	TRIM, SIDE PANEL 2	1	WITH SUN ROOF
	J0B-K817J-00	TRIM, SIDE PANEL 2	1	WITHOUT SUN ROOF

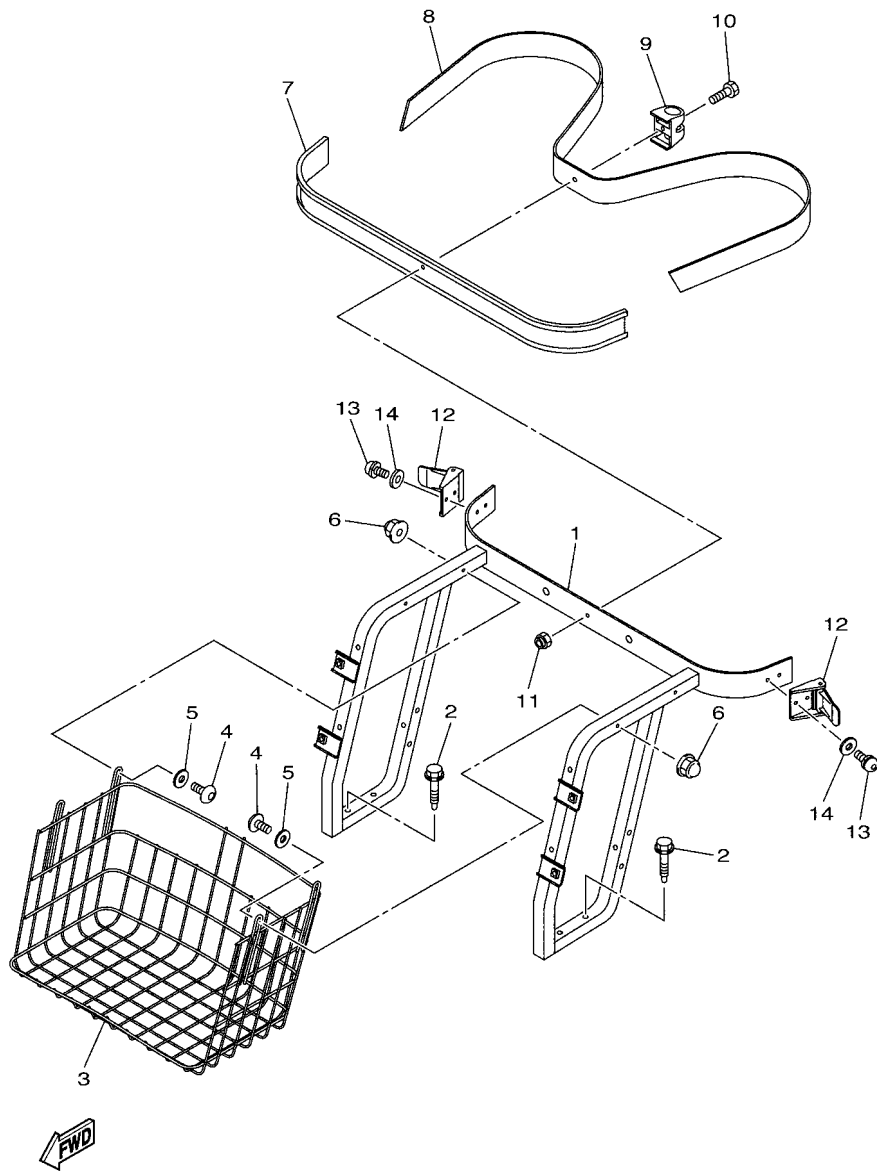
**FIG. 28 BODY FITTING**



J0B1110-S270

REF. NO.	PART NO.	DESCRIPTION	J0D2				REMARKS
1	J0B-K8271-00	SERVICE LID, PEDAL	1				
2	J0B-K818A-00	PROTECTOR, SIDE PLATE	1				
3	90269-09003	RIVET	3				
4	90269-06804	RIVET	1				
5	J0B-K818B-00	PROTECTOR, SIDE PLATE 2	1				
6	90269-09003	RIVET	3				
7	90269-06804	RIVET	1				
8	J0B-K8191-00	PANEL, REAR FENDER 1	1				
9	90269-06804	RIVET	5				
10	J0B-K8192-00	PANEL, REAR FENDER 2	1				
11	90269-06804	RIVET	5				
12	J0B-K8197-01	FLAP, REAR FENDER	2				
13	J0B-K8187-00	FLAP, FRONT FENDER	1				
14	90464-76800	CLAMP	4				

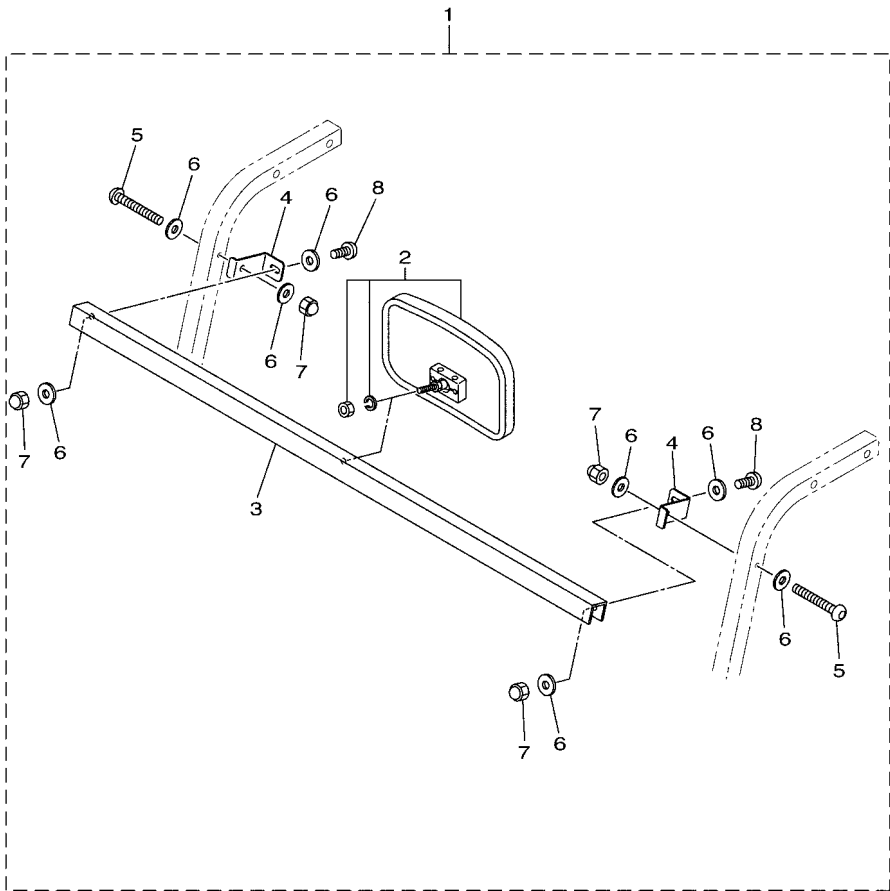
**FIG. 29 CARRIER**



J0D2100-T290

REF. NO.	PART NO.	DESCRIPTION	J0D2				REMARKS
1	J1B-K8423-00	SUPPORT, SEAT BACK	1				
2	90109-08002	BOLT	4				
3	JW1-K8340-00	LUGGAGE RACK ASSY., REAR	1				
4	92017-06040	BOLT, BUTTON HEAD	4				
5	J0B-K7389-00	WASHER	4				
6	90176-06008	NUT, CROWN	4				
7	JF2-K8356-00	PAD, BAG SUPPORT	1				
8	JN6-K8355-20	BAND	1				
9	JW1-K834G-00	HOLDER, RAKE SAND	1				
10	9708R-06020	BOLT	1				
11	90185-06836	NUT, SELF-LOCKING	1				
12	JN6-K8380-00	LOCK ASSY	2				
13	90159-06845	SCREW, WITH WASHER	4				
14	9299R-06200	WASHER	4				

**FIG. 30 REAR VIEW MIRROR**



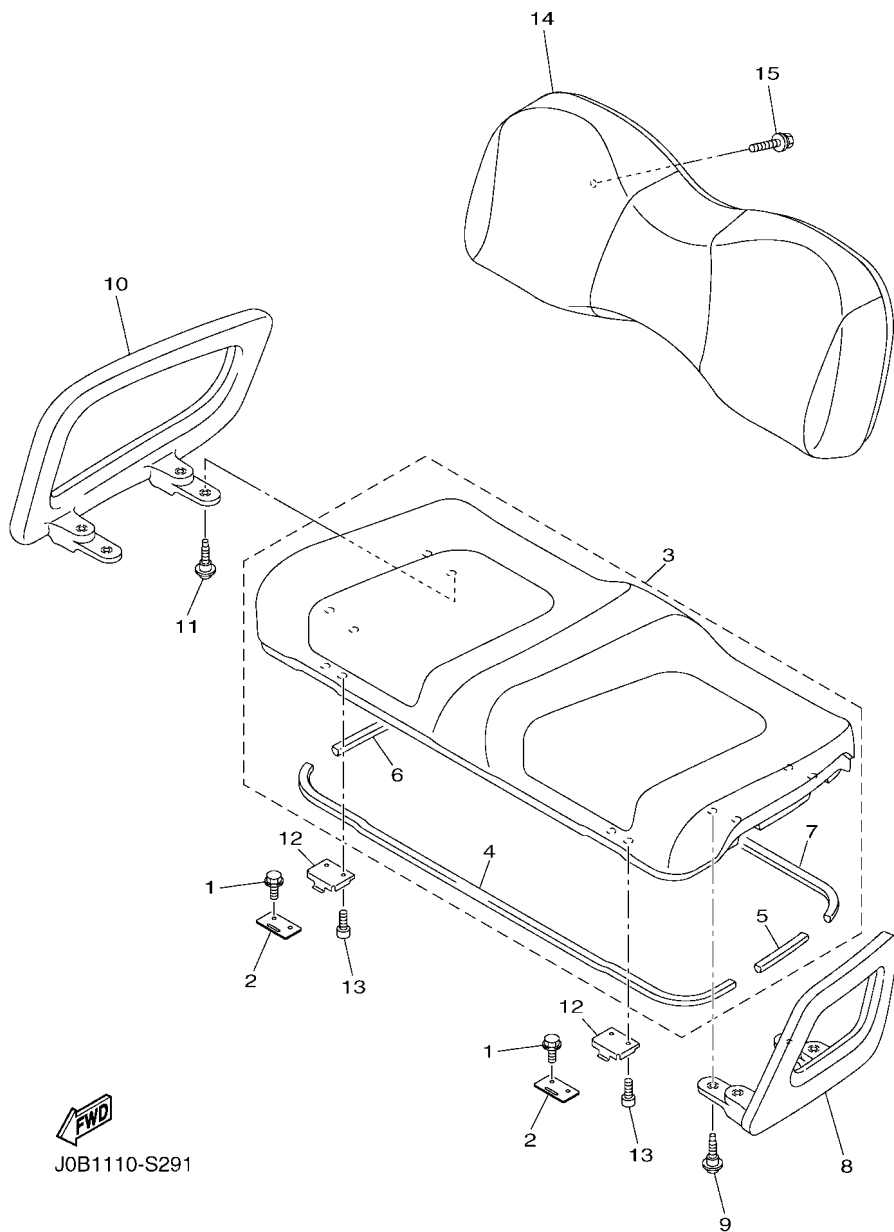
REF. NO.	PART NO.	DESCRIPTION	JDD2	REMARKS
1	JC0-F6280-01	REAR VIEW MIRROR ASSY (LEFT)	1	
2	JC0-F6291-00	.MIRROR	1	
3	JC0-F831W-10	.STAY, MIRROR 1	1	
4	JC0-F834N-10	.BRACKET, MIRROR 1	2	
5	JW1-K7387-10	.SCREW	2	
6	90201-068G7	.WASHER, PLATE	8	
7	JW1-K7217-00	.NUT, WIND SHIELD	4	
8	JC0-K7212-00	.BOLT, WIND SHIELD	2	



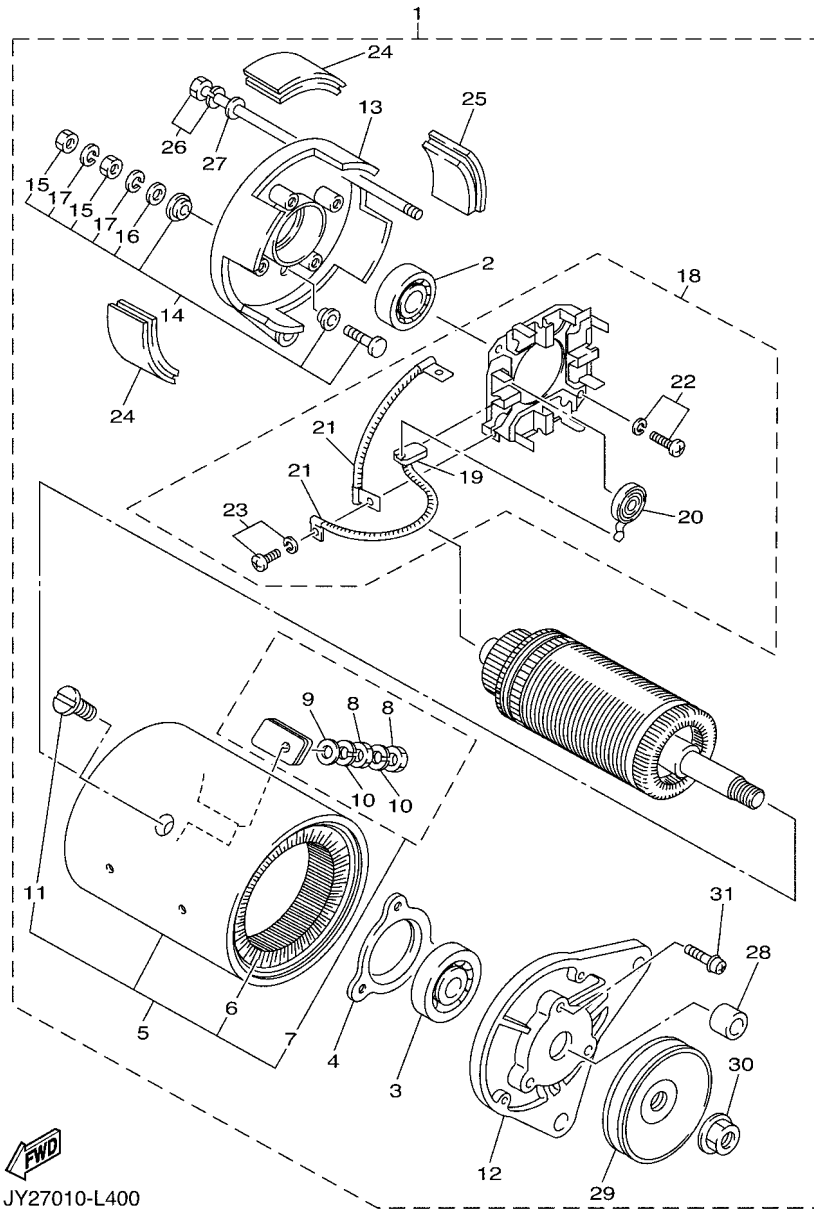
JC17100-P150

**FIG. 31 SEAT**

REF. NO.	PART NO.	DESCRIPTION	JDD2	REMARKS
1	JW9-H1674-00	BOLT	4	
2	J0B-K8427-00	HINGE, SEAT 2	2	
3	J0B-K8401-00	SEAT SUB-ASSY,CUSHION	1	
4	J0B-K8245-00	.SEAL 1	1	
5	J0B-K8246-00	.SEAL 2	1	
6	J0B-K8247-00	.SEAL 3	1	
7	J0B-K8248-00	.SEAL 4	1	
8	J0B-K8361-00	ARM REST 1	1	
9	J0B-F1738-00	BOLT	4	
10	J0B-K8362-00	ARM REST 2	1	
11	J0B-F1738-00	BOLT	4	
12	J0B-K8426-10	HINGE, SEAT 1	2	
13	90110-06125	BOLT, HEXAGON SOCKET HEAD	4	
14	JW1-K8402-10	SEAT SUB ASSY, BACK	1	
15	90119-06808	BOLT, WITH WASHER	4	



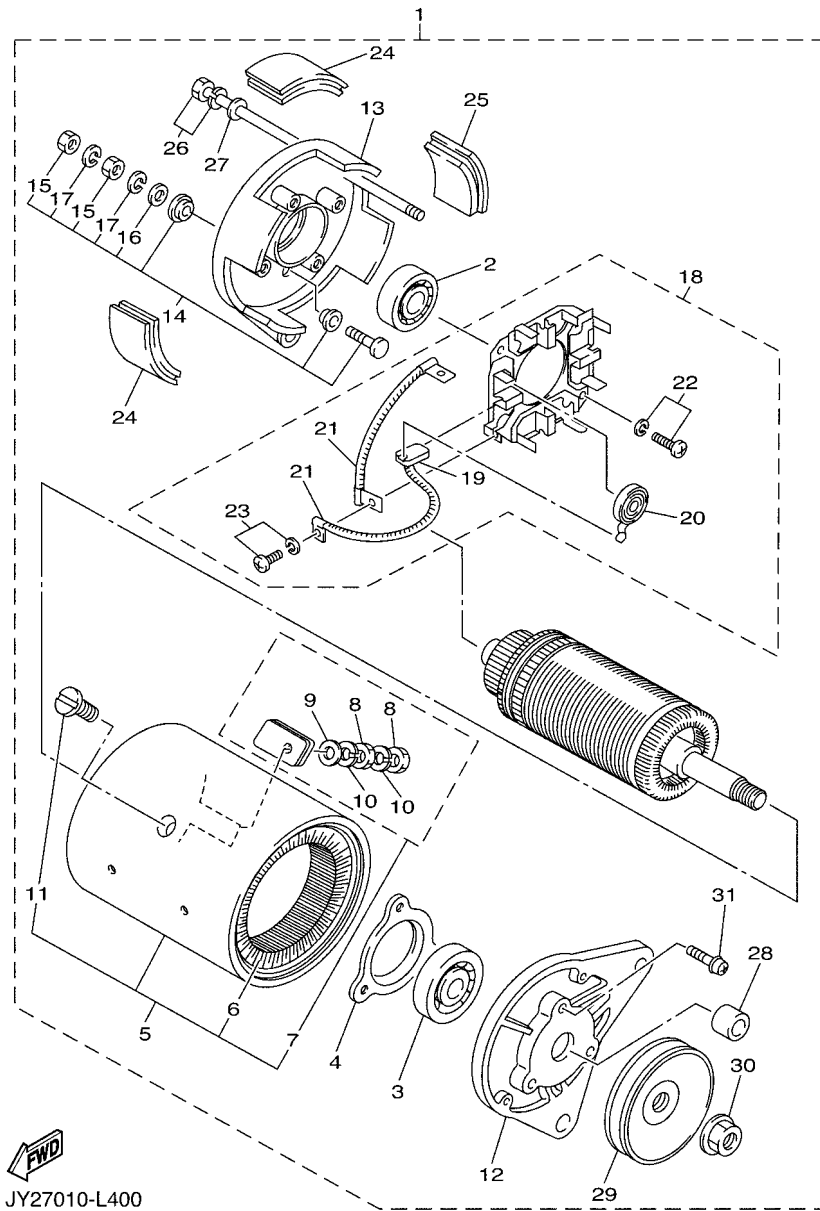
**FWD**  
J0B1110-S291



JY27010-L400

FIG. 32 STARTING MOTOR

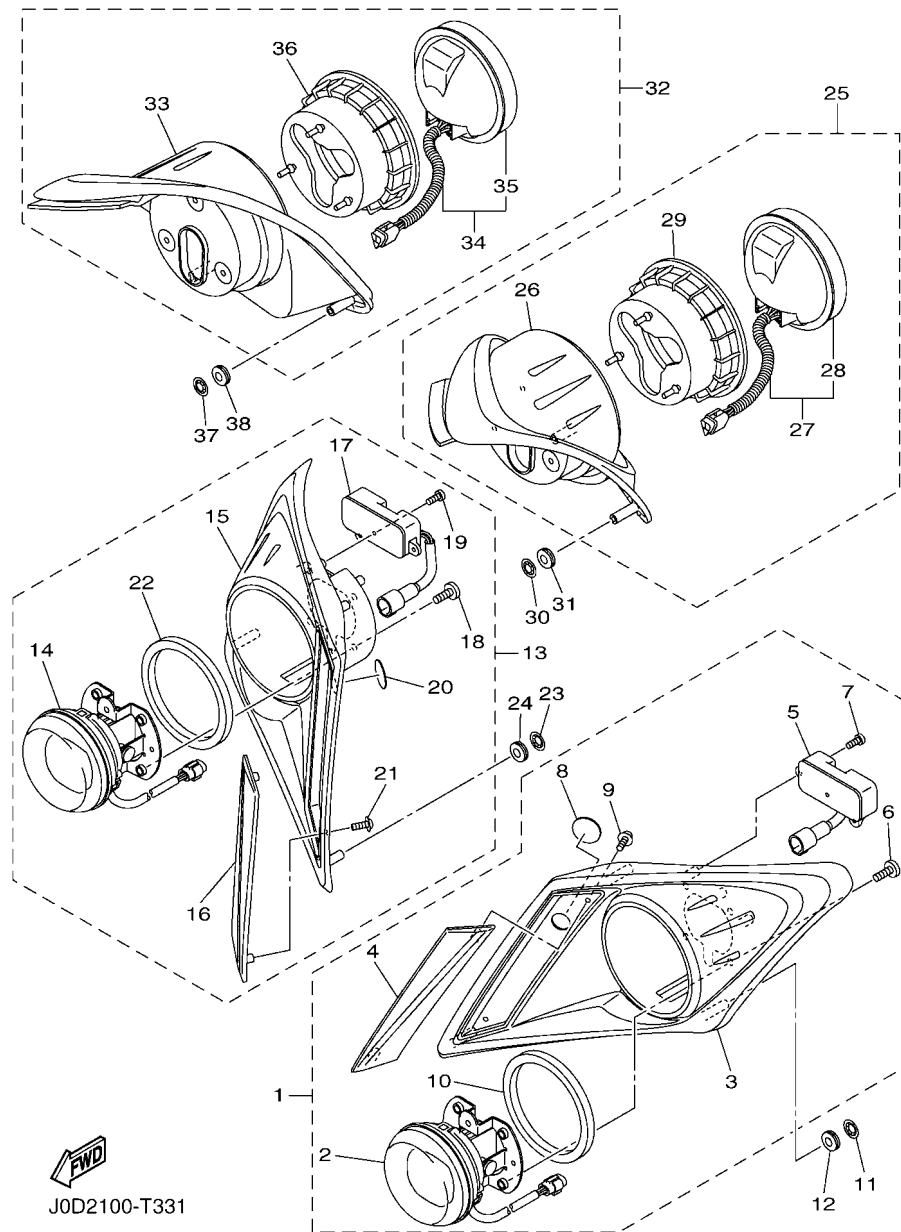
REF. NO.	PART NO.	DESCRIPTION	JDD2			REMARKS
1	JN6-H1100-04	STARTER GENERATOR ASSY	1			
2	J10-H1157-10	.BEARING 1	1			
3	J10-H1158-10	.BEARING 2	1			
4	J10-81159-10	.HOLDER, BEARING	1			
5	JN6-H1110-10	.STATOR ASSY	1			
6	JN6-H1160-10	..FIELD COIL ASSY	1			
7	J10-81148-10	..SCREW SET 4	2			
8	9530N-06600	...NUT, HEX	2			
9	9290N-06600	...WASHER	1			
10	92907-06100	...WASHER, SPRING	2			
11	J10-81146-10	..SCREW 2	4			
12	JN6-H1165-00	.BRACKET, STARTER GENERATOR 1	1			
13	J10-H1166-10	.BRACKET, STARTER GENERATOR 2	1			
14	J10-81147-10	.SCREW SET 3	2			
15	9530N-06600	..NUT, HEX	2			
16	9290N-06600	..WASHER	1			
17	92907-06100	..WASHER, SPRING	2			
18	JN6-H1119-00	.BRUSH HOLDER ASSY	1			
19	JF2-H1111-00	..BRUSH	4			
20	JN6-H1113-00	..SPRING, BRUSH	4			
21	J10-81115-10	..WIRE, LEAD	2			
22	9850N-05016	..SCREW, PAN HEAD	2			
23	9850N-04010	..SCREW, PAN HEAD	4			
24	J10-81129-10	.COVER, BRUSH	3			
25	J10-81139-10	.COVER, BRUSH 2	1			
26	J10-H1145-10	..SCREW 1	2			
27	9290N-06600	..WASHER	2			



JY27010-L400

**FIG. 32 STARTING MOTOR**

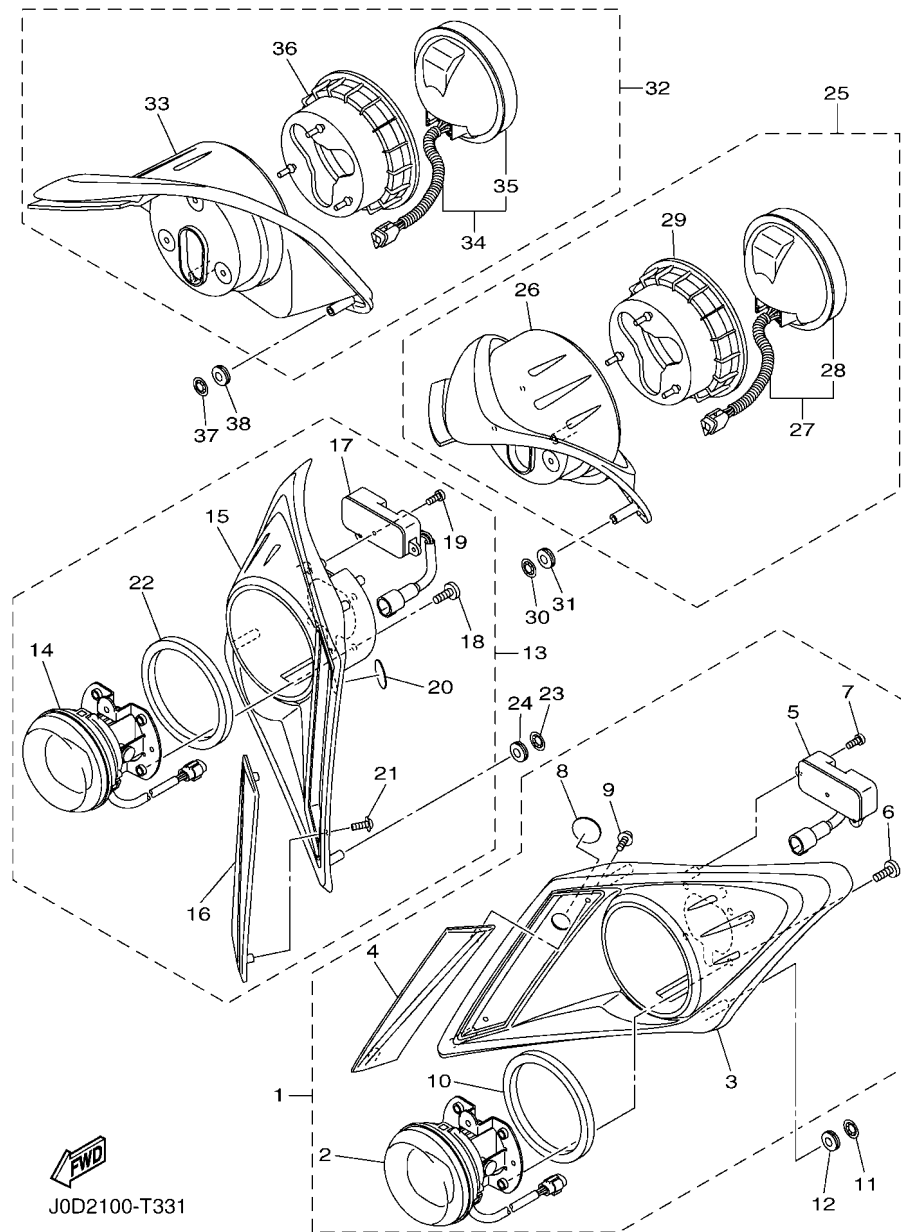
REF. NO.	PART NO.	DESCRIPTION	JDD2	REMARKS
28	JN3-H1661-00	.SPACER	1	
29	JN6-H1161-00	.PULLEY	1	
30	90179-16889	.NUT	1	
31	9850N-05018	.SCREW, PAN HEAD	3	



**FIG. 33 HEAD & TAIL LIGHT**

REF. NO.	PART NO.	DESCRIPTION	J0D2				REMARKS
1	J0D-H4110-00	HEADLIGHT UNIT ASSY	1				
2	J0D-H4300-00	.HEADLIGHT ASSY	1				
3	J0D-H411T-00	.HOLDER, 1	1				
4	J0D-H4385-00	.CAP,1	1				
5	J0D-H5490-00	.LIGHT CONTROL UNIT	1				
6	J0D-H4526-00	.SCREW	4				
7	J0D-H4726-00	.SCREW	3				
8	J0D-H3547-00	.COVER, SOCKET	1				
9	J0D-H4524-00	.SCREW, LENS FITTING	2				
10	J0D-H4195-00	.RING, RETAINING	1				
11	90183-08800	NUT, SPRING	3				
12	90480-13016	GROMMET	3				
13	J0D-H4170-00	HEAD LIGHT UNIT ASSY	1				
14	J0D-H4300-00	.HEADLIGHT ASSY	1				
15	J0D-H411U-00	.HOLDER, 2	1				
16	J0D-H4386-00	.CAP,2	1				
17	J0D-H5490-00	.LIGHT CONTROL UNIT	1				
18	J0D-H4526-00	.SCREW	4				
19	J0D-H4726-00	.SCREW	3				
20	J0D-H3547-00	.COVER, SOCKET	1				
21	J0D-H4524-00	.SCREW, LENS FITTING	2				
22	J0D-H4195-00	.RING, RETAINING	1				
23	90183-08800	NUT, SPRING	3				
24	90480-13016	GROMMET	3				
25	J0D-H4710-00	TAILLIGHT UNIT ASSY	1				
26	J0D-H431U-00	.HOLDER	1				
27	J0D-H4700-00	.TAILLIGHT ASSY	1				



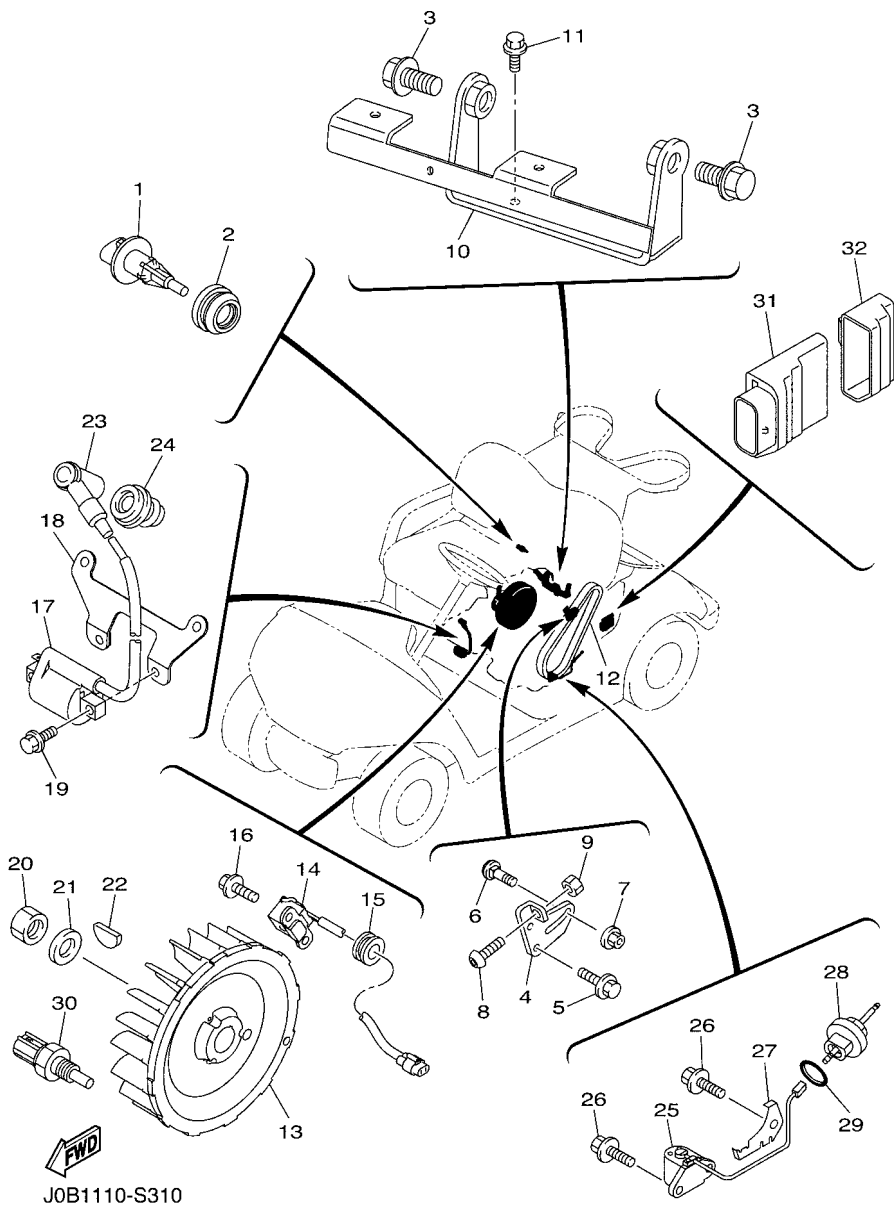


J0D2100-T331

FIG. 33 HEAD & TAIL LIGHT

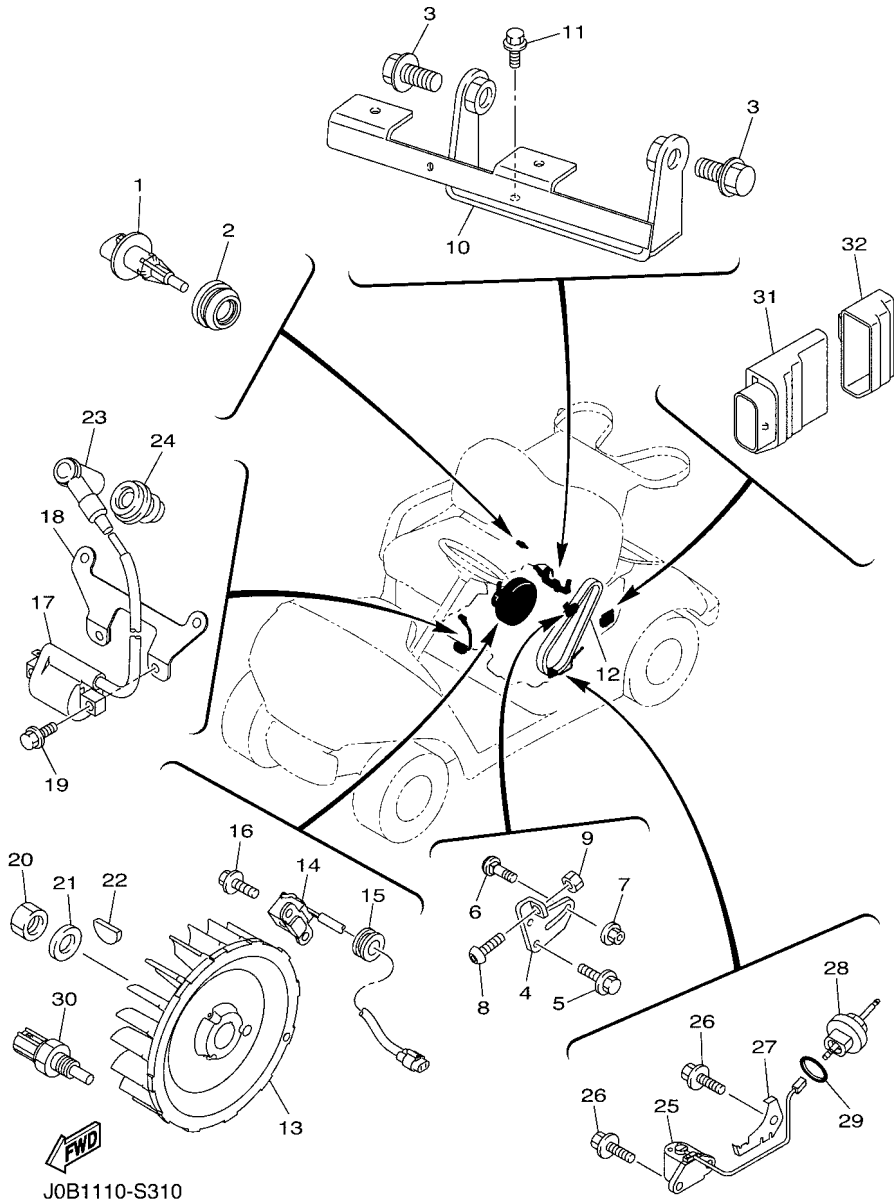
REF. NO.	PART NO.	DESCRIPTION	J0D2		REMARKS
28	JC0-H4514-00	.BULB	1		(12V-7W/27W)
29	J0D-H4718-00	.GROMMET	1		
30	90183-08800	NUT, SPRING	2		
31	90480-13016	GROMMET	2		
32	J0D-H4730-00	TAILLIGHT UNIT ASSY	1		
33	J0D-H4387-00	.HOLDER	1		
34	J0D-H4700-00	.TAILLIGHT ASSY	1		
35	JC0-H4514-00	.BULB	1		(12V-7W/27W)
36	J0D-H4718-00	.GROMMET	1		
37	90183-08800	NUT, SPRING	2		
38	90480-13016	GROMMET	2		

**FIG. 34 ELECTRICAL 1**

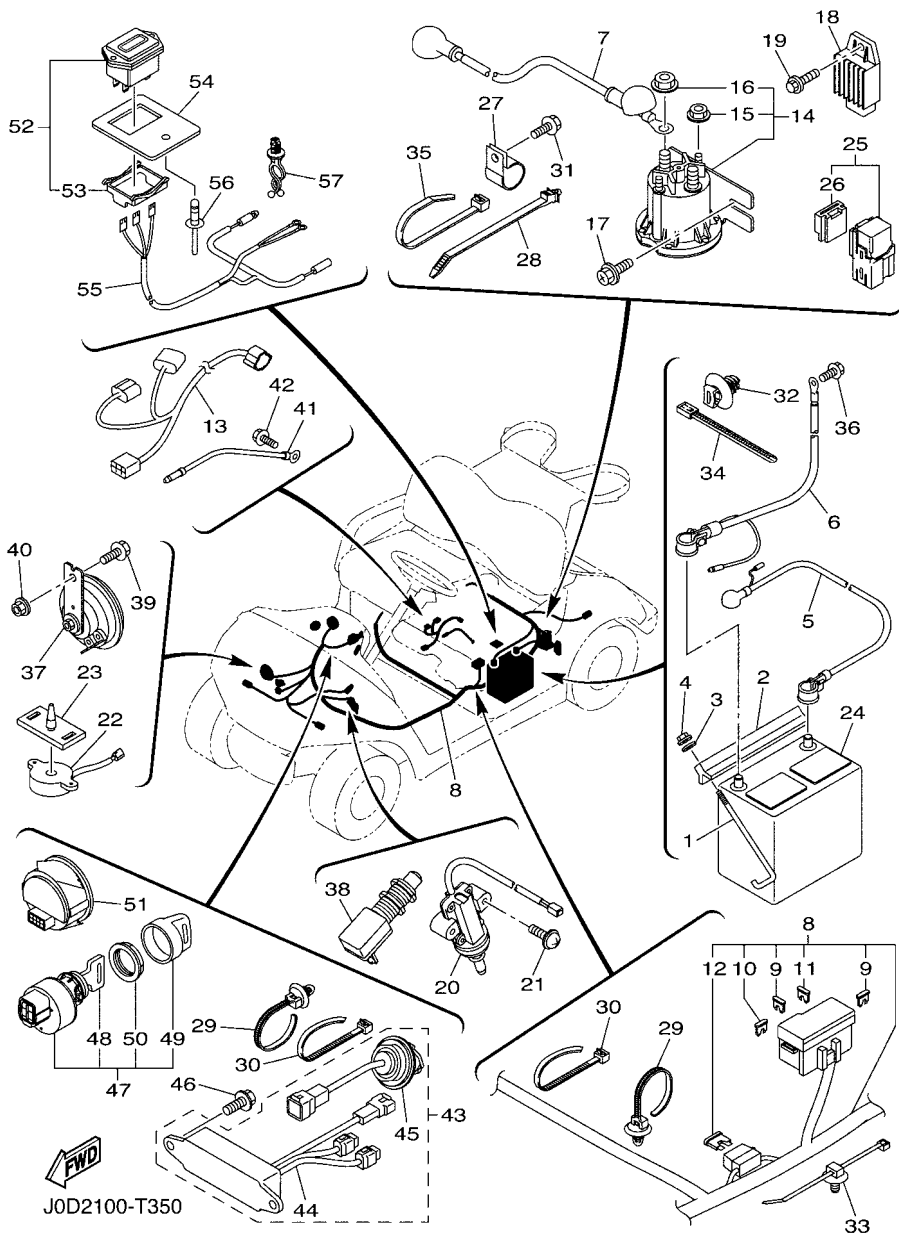


REF. NO.	PART NO.	DESCRIPTION	JDD2	REMARKS
1	5CA-85886-00	SENSOR, AIR TEMPRATURE	1	
2	5CA-14435-00	GROMMET	1	
3	95812-12030	BOLT, FLANGE	2	
4	JW1-H1170-11	TENSIONER ASSY	1	
5	95822-08020	BOLT, FLANGE	2	
6	90109-08827	BOLT	1	
7	95702-08500	NUT, FLANGE	1	
8	92012-06030	BOLT, BUTTON HEAD	1	
9	95302-06600	NUT, HEXAGON	1	
10	JN6-H1171-11	BRACKET, STARTER GENERATOR	1	
11	95822-08020	BOLT, FLANGE	2	
12	JW1-H1173-02	BELT	1	
13	JC0-85650-10	ROTOR ASSY	1	
14	JB2-81670-00	PICK-UP ASSY	1	
15	90480-20564	GROMMET	1	
16	95822-06016	BOLT, FLANGE	2	
17	1S4-82310-00	IGNITION COIL ASSY	1	
18	JC0-82316-00	BRACKET, IGNITION COIL	1	
19	95822-06016	BOLT, FLANGE	2	
20	95302-18600	NUT, HEXAGON	1	
21	90201-18620	WASHER, PLATE	1	
22	90280-04052	KEY, WOODRUFF	1	
23	JN6-82370-00	PLUG CAP ASSY	1	
24	JE8-82372-00	SEAL, PLUG CAP	1	
25	JT0-85720-00	OIL LEVEL GAUGE ASSY	1	
26	95822-06012	BOLT, FLANGE	3	
27	JT0-85724-00	CLAMP	1	

**FIG. 34 ELECTRICAL 1**



REF. NO.	PART NO.	DESCRIPTION	JOB2				REMARKS
28	JT0-15362-00	PLUG, OIL LEVEL	1				
29	93210-15414	O-RING	1				
30	4P9-83591-00	THERMO UNIT	1				
31	J0B-H591A-01	ENGINE CONTROL UNIT ASSY	1				
32	J0B-H5546-00	BAND	1				
<hr/>							
<hr/>							
<hr/>							
<hr/>							
<hr/>							
<hr/>							
<hr/>							
<hr/>							
<hr/>							
<hr/>							



**FIG. 35 ELECTRICAL 2**

REF. NO.	PART NO.	DESCRIPTION	J0D2			REMARKS
1	JW1-H2133-00	SCREW, FITTING	2			
2	J55-H2136-00	PLATE, BATTERY FITTING	1			
3	92902-06200	WASHER	2			
4	95702-06500	NUT, FLANGE	2			
5	J0B-H2115-00	WIRE, PLUS LEAD	1			
6	J0B-H2116-01	WIRE, MINUS LEAD	1			
7	J0B-H2117-00	WIRE, LEAD	1			
8	J0D-H2590-01	WIRE HARNESS ASSY	1			
9	JW6-H554E-00	.FUSE (10A)	2			
10	JW6-H554E-20	.FUSE (25A)	1			
11	JW6-H554E-10	.FUSE (15A)	1			
12	J0D-H2151-00	.FUSE (5A)	1			
13	J0B-82149-01	WIRE, LEAD 3	1			
14	JW1-H1950-00	RELAY ASSY	1			
15	90179-05807	.NUT	2			
16	90179-08824	.NUT	2			
17	90105-06831	BOLT, FLANGE	2			
18	JF2-81910-10	VOLTAGE REGULATOR ASSY	1			
19	90105-06870	BOLT, FLANGE	1			
20	JF7-82817-22	SWITCH	1			
21	97602-05225	SCREW, PAN HEAD WITH WASHER	2			
22	JR1-H3383-02	BUZZER	1			
23	JN6-H3386-01	STAY, BUZZER	1			
24	*	BATTERY ASSY (GC-24, 12V)	1			LM
25	1TP-81950-00	RELAY ASSY (1TP-00)	1			
26	5EA-81952-00	.HOLDER, RELAY	1			
27	90461-14108	CLAMP	1			

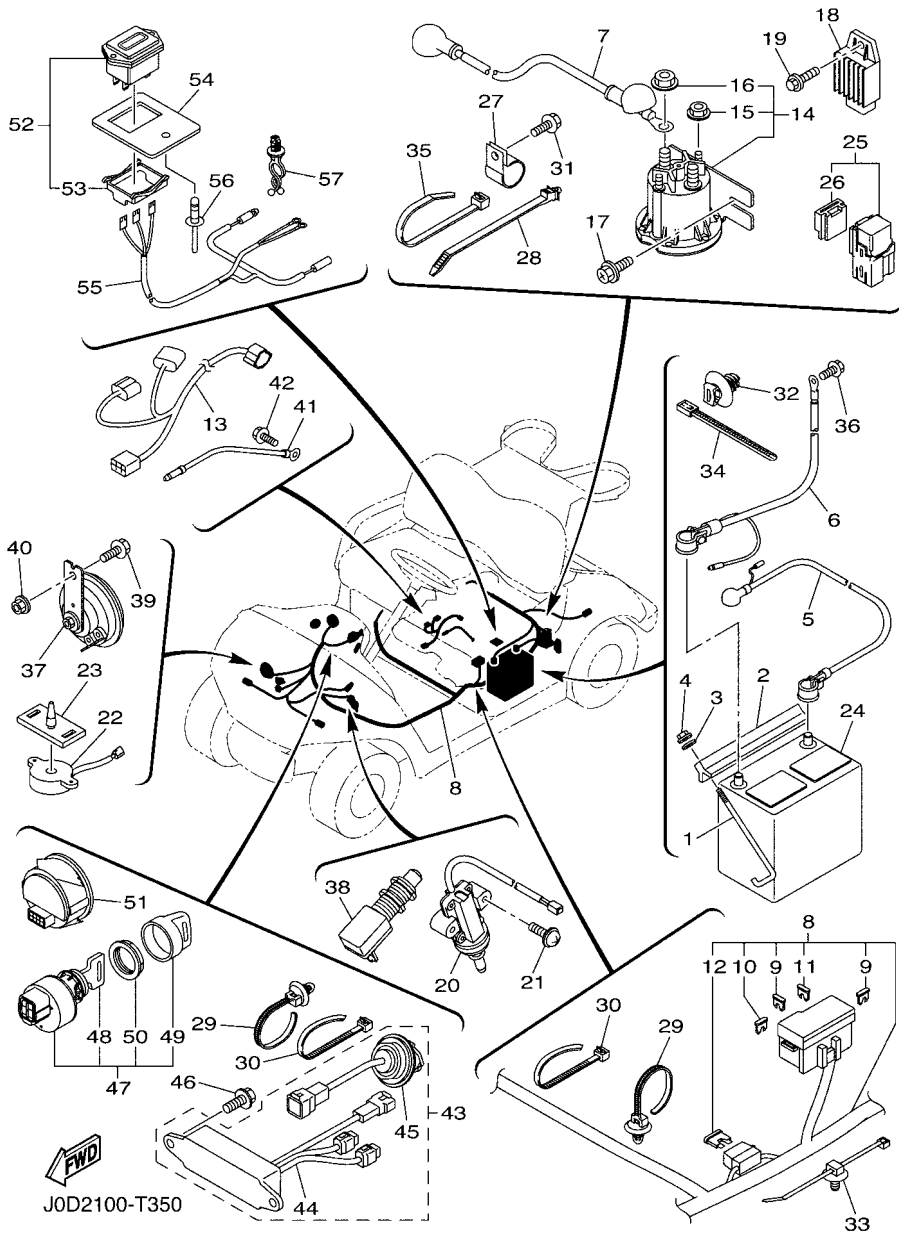
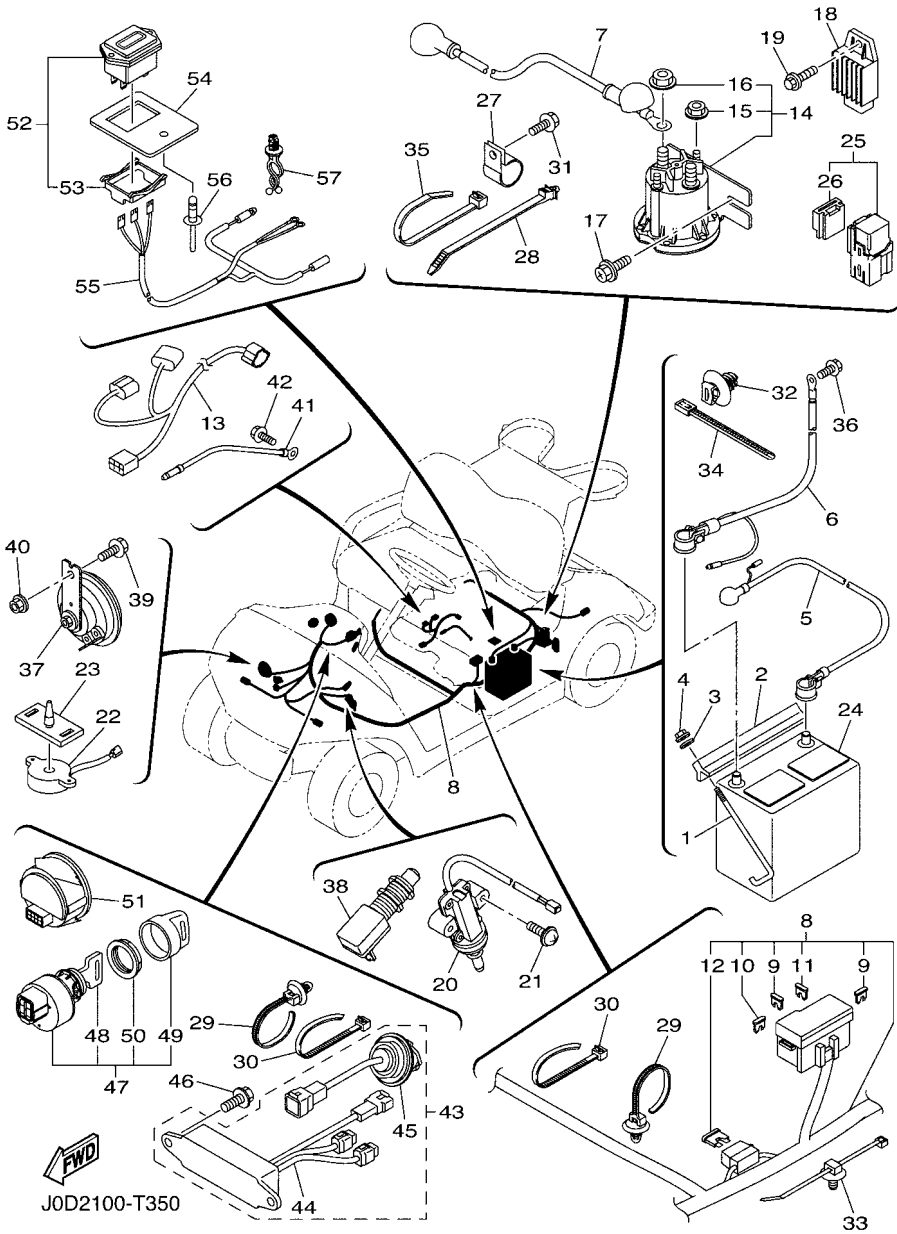


FIG. 35 ELECTRICAL 2

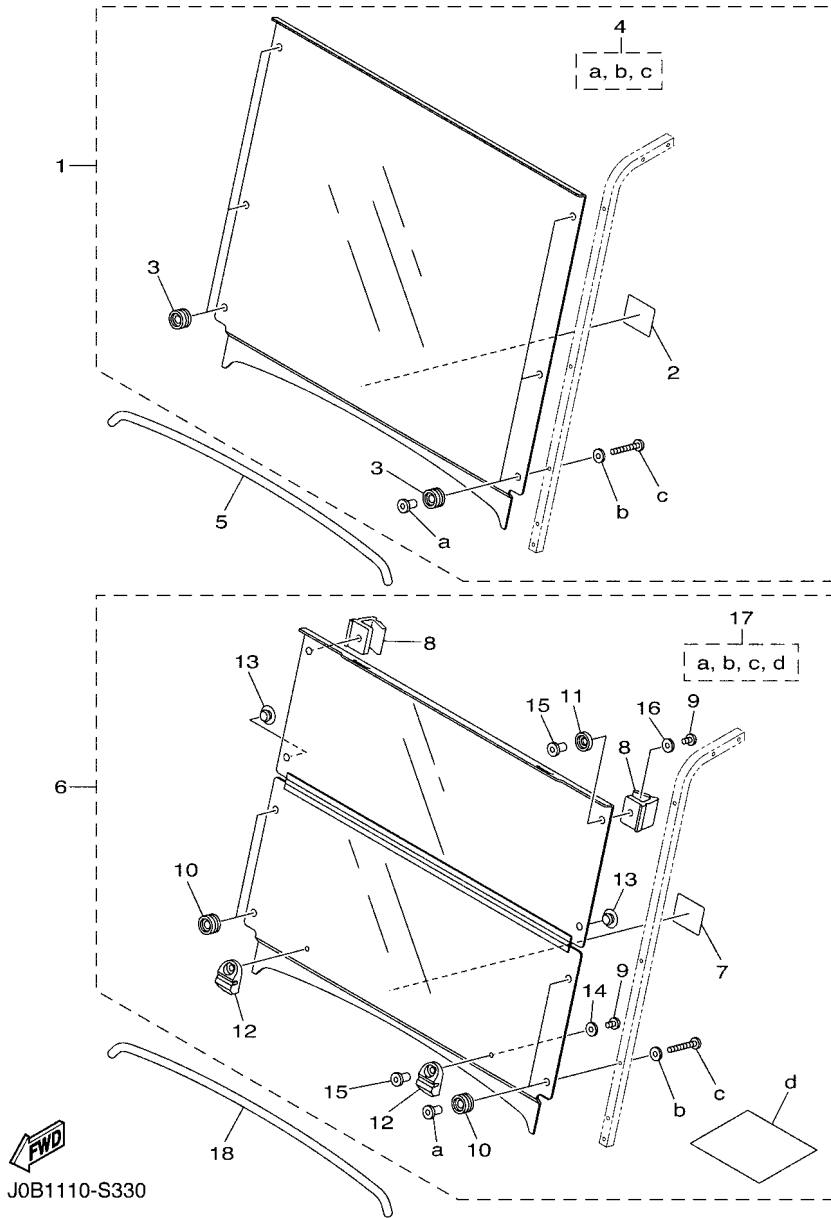
REF. NO.	PART NO.	DESCRIPTION	J0D2			REMARKS
28	90464-09823	CLAMP	1			
29	90464-20005	CLAMP	3			
30	90464-48800	CLAMP	3			
31	90119-06868	BOLT, WITH WASHER	1			
32	5UG-F2465-10	HOLDER	1			
33	1NS-F1338-00	CLAMP	3			
34	90464-40825	CLAMP	2			
35	90464-51800	CLAMP	2			213X7.60
36	90105-08867	BOLT, FLANGE	1			
37	4LR-83371-11	HORN	1			
38	JR6-H270X-00	SWITCH	1			
39	95822-06016	BOLT, FLANGE	1			
40	95702-06500	NUT, FLANGE	1			
41	JC0-82519-00	WIRE, EARTH LEAD	1			
42	95822-06012	BOLT, FLANGE	1			
43	J0D-H21E0-01	USB ASSY	1			
44	J0D-H21E1-00	.PLUG, USB	1			
45	J0D-H21E2-01	.CABLE, USB	2			
46	90119-06868	BOLT, WITH WASHER	2			
47	JW6-H2510-00	MAIN SWITCH ASSY	1			
48	JU6-H2511-10	.KEY, MAIN SWITCH	2			
49	5UG-H2579-00	.CAP, KEY	1			
50	JU6-H2569-00	.NUT, MAIN SWITCH	1			
51	JC0-H351C-10	GAUGE 1	1			
52	JN6-H351C-10	GAUGE 1	1			AP
53	JW1-H1128-00	.CLAMP	1			AP
54	J0B-F4881-00	BRKT., METER	1			AP



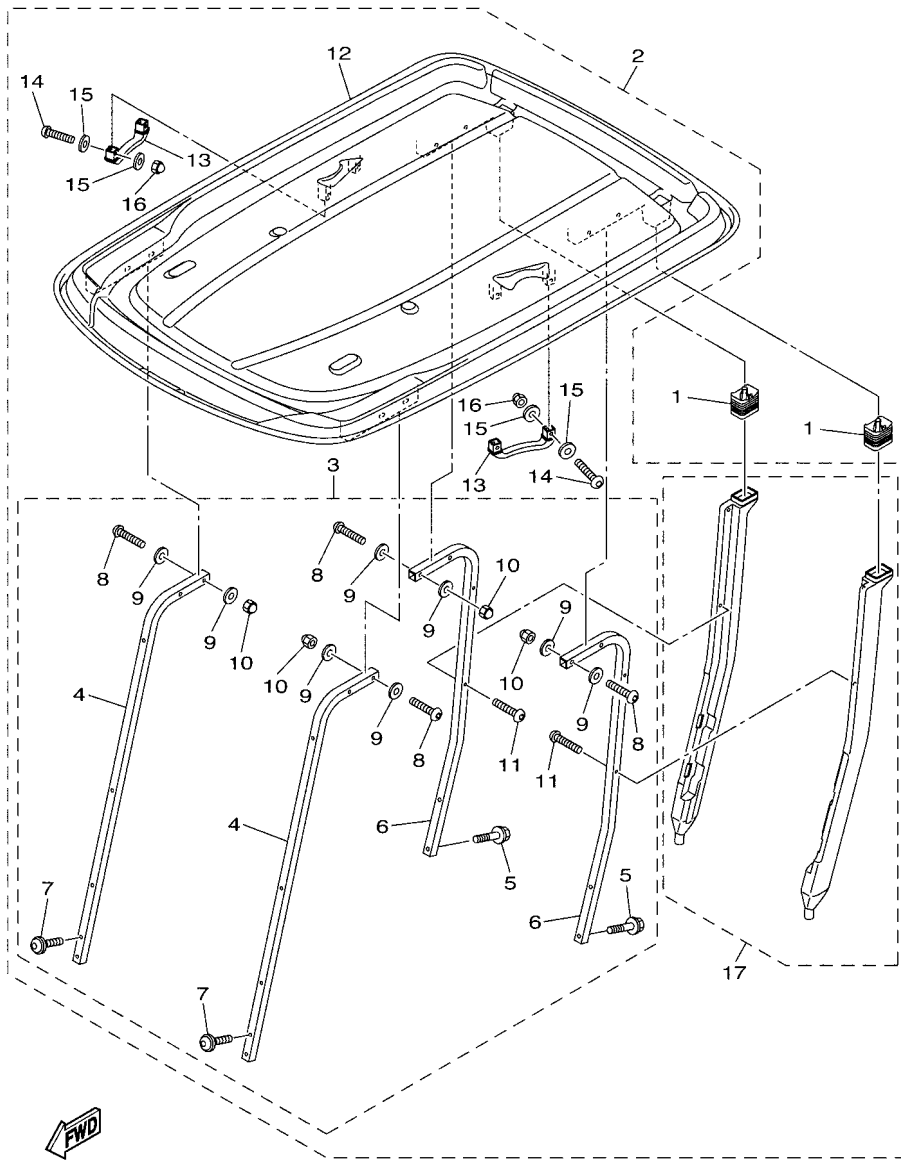
**FIG. 35 ELECTRICAL 2**

REF. NO.	PART NO.	DESCRIPTION	J0D2	REMARKS
55	JW1-H2386-10	EXTENSION, WIRE HARNESS	1	AP
56	JW7-K7329-00	RIVET	1	AP
57	90464-12836	CLAMP	1	AP

**FIG. 36 ALTERNATE FOR WINDSHIELD**



REF. NO.	PART NO.	DESCRIPTION	JDD2	REMARKS
1	J0B-K7200-00	WINDSHIELD ASSY	1	UR CLEAR
	J0B-K7200-10	WINDSHIELD ASSY	1	UR SMOKE
2	J0B-K7458-00	.LABEL, WARNING	1	
3	J0B-K7237-00	.GROMMET	6	
4	J0B-K7240-00	.WIND SHIELD HARDWARE KIT 1	1	
5	J0B-K7213-00	TRIM, UPPER	1	
6	J0B-K7200-20	WINDSHIELD ASSY	1	UR CLEAR
	J0B-K7200-30	WINDSHIELD ASSY	1	UR SMOKE
7	J0B-K7458-00	.LABEL, WARNING	1	
8	J0B-K7173-20	.LEVER, LATCH 1	2	
9	J0B-K7258-00	.SCREW, 2	4	
10	J0B-K7237-00	.GROMMET	4	
11	J0B-K7247-00	.GROMMET, W/S 2	2	
12	J0B-K7257-00	.GROMMET, W/S 3	2	
13	J0B-K7238-00	.DAMPER	2	
14	J0B-K7218-00	.WASHER 1	2	
15	J0B-K7217-00	.NUT, WIND SHIELD	4	
16	J0B-K7219-00	.WASHER 2	2	
17	J0B-K7240-20	.WIND SHIELD HARDWARE KIT 1	1	
18	J0B-K7213-00	TRIM, UPPER	1	



J0A2100-T370

**FIG. 37 ALTERNATE FOR SUN ROOF**

REF. NO.	PART NO.	DESCRIPTION	JDD2	REMARKS
1	JW1-F414G-10	SEAL	2	
2	J0B-K84A0-00	SUN TOP KIT	1	UR AP TAN
	J0B-K84A0-10	SUN TOP KIT	1	UR AP BLACK
3	J0B-K84A2-00	.HARDWARE KIT, SUN TOP	1	
4	J0B-K8312-00	..SUPPORT, SUN ROOF 1	2	
5	JW1-K8388-00	..BOLT, ROOF 1	4	
6	JW1-K8313-01	..SUPPORT, SUN ROOF 2	2	
7	J0B-K8388-00	..BOLT, ROOF 1	4	
8	JU0-K8388-00	..BOLT, ROOF 1	8	
9	JW1-F1549-01	..WASHER, FENDER MOLD	16	
10	JU0-K8398-00	..NUT, ROOF 1	8	
11	JW1-K7387-00	..SCREW	4	
12	JW1-K8314-10	..COVER, SUN ROOF	1	UR TAN
	JW1-K8314-21	..COVER, SUN ROOF	1	UR BLACK
13	JW1-K8214-00	..GRIP, HAND	2	
14	JU0-K8388-00	..BOLT, ROOF 1	4	
15	JW1-F1549-01	..WASHER, FENDER MOLD	8	
16	JU0-K8398-00	..NUT, ROOF 1	4	
17	J0B-F417A-00	..DRAIN TUBE ASSY	1	



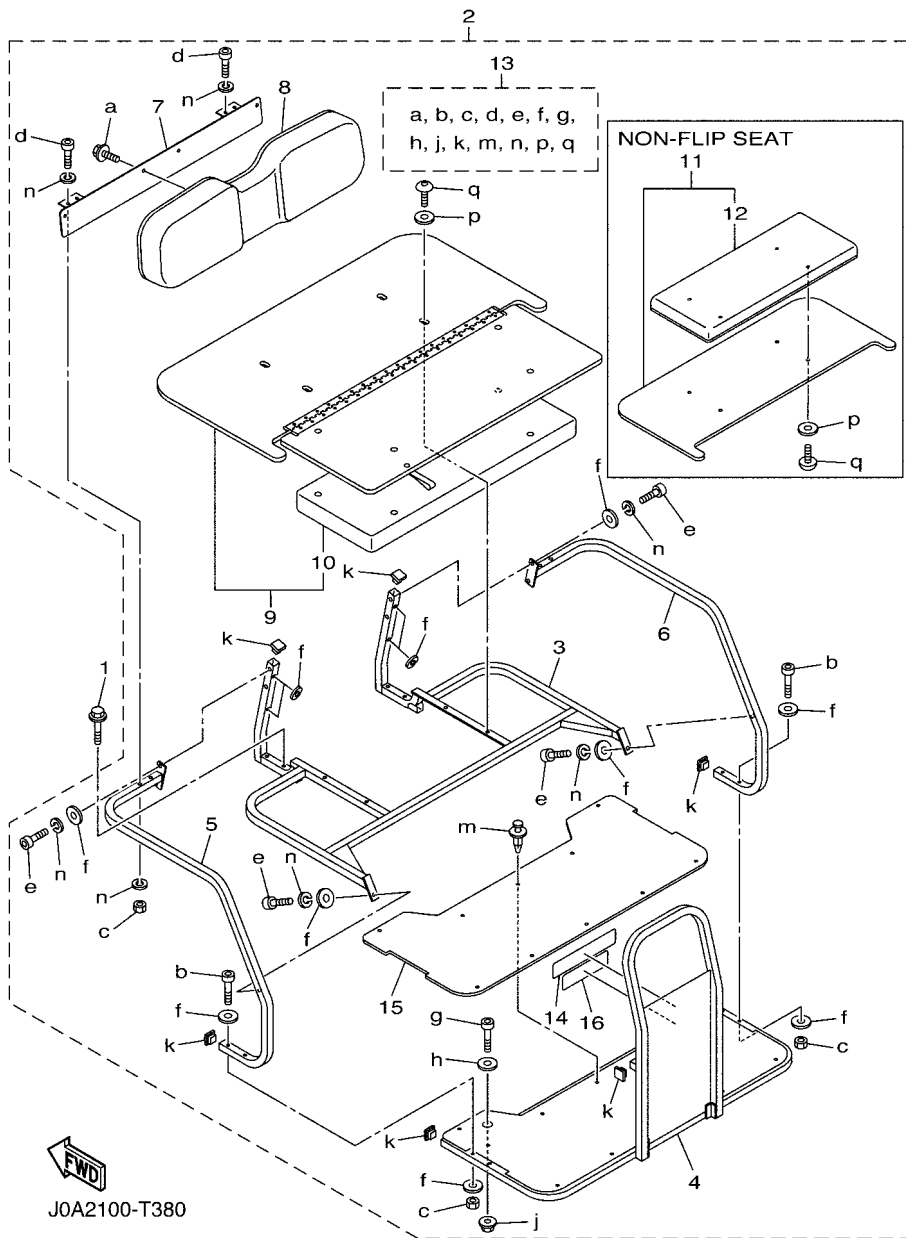


FIG. 38 ALTERNATE FOR SEAT

REF. NO.	PART NO.	DESCRIPTION	J0D2	REMARKS
1	90109-08002	BOLT	4	
2	J0B-K8476-00	4 PASSENGER SEAT COMP.	1	UR TAN FLIP
	J0B-K8410-00	SEAT ASSY	1	UR TAN NON-FLIP
	J0B-K8476-10	4 PASSENGER SEAT COMP.	1	UR BLACK FLIP
	J0B-K8410-10	SEAT ASSY	1	UR BLACK NON-FLIP
3	J0B-K8460-00	.SEAT FRAME COMP.	1	
4	J0B-K8477-00	.FLOOR ASSEMBLY	1	
5	J0B-K8473-00	.HANDRAIL ASSEMBLY (LH)	1	
6	J0B-K8474-00	.HANDRAIL ASSEMBLY (RH)	1	
7	J0B-K8432-00	.BRACKET, SEAT SUPPORT 2	1	
8	J0B-K8402-00	.SEAT SUB ASSY, BACK	1	
9	J0B-K8480-00	.SEAT BOTTOM COMPLETE 1	1	UR TAN
	J0B-K8480-10	.SEAT BOTTOM COMPLETE 1	1	UR BLACK
10	J0B-K8406-00	.REAR SEAT SUB-ASSY, CUSHION	1	UR TAN
	J0B-K8406-10	.REAR SEAT SUB-ASSY, CUSHION	1	UR BLACK
11	J0B-K8490-00	.SEAT BOTTOM COMP. ,2	1	UR TAN
	J0B-K8490-10	.SEAT BOTTOM COMP. ,2	1	UR BLACK
12	J0B-K8406-00	.REAR SEAT SUB-ASSY, CUSHION	1	UR TAN
	J0B-K8406-10	.REAR SEAT SUB-ASSY, CUSHION	1	UR BLACK
13	J0B-F47E2-00	.HARDWARE KIT, TANDEM SEAT	1	UR FLIP SEAT
	J0B-F47E2-10	.HARDWARE KIT, TANDEM SEAT	1	UR NON-FLIP SEAT
14	J0B-K8483-00	.LABEL WARNING	1	
15	J0B-K8466-00	.MAT, RUBBER	1	
16	J0B-F1696-00	.LABEL, CAUTION	1	







NUMERICAL INDEX

PART NO.	REF. NO.	PART NO.	REF. NO.	PART NO.	REF. NO.	PART NO.	REF. NO.	PART NO.	REF. NO.	PART NO.	REF. NO.
9708R-06020	29 - 10										
97602-04316	23 - 14										
97602-05225	35 - 21										
97702-50016	6 - 20										
97702-60416	6 - 17										
98502-06014	7 - 4										
9850N-04010	32 - 23										
9850N-05016	32 - 22										
9850N-05018	32 - 31										
99001-07600	6 - 9										
99001-09600	16 - 11										
99009-19400	23 - 13										
99530-08016	9 - 7										
99530-14016	2 - 6										