



PARTS CATALOGUE

DR2A19 PTV (J0D3) CANADA, EUROPE, OTHERS



NEWS No.	DATE	COMMENT
PE0-GC-200009	May.,15,2020	COR:HEAD & TAIL LIGHT ILLUSTRATION CORRECTION

1UJ0D-100E1

()

2020/06/05

DR2A19 PTV
PARTS CATALOGUE
©2020 by Yamaha Motor Co., Ltd.
1st edition, June 2020
All rights reserved.
Any reprinting or unauthorized use
without the written permission of
Yamaha Motor Co., Ltd.
is expressly prohibited.
Printed in Japan.

FOREWORD

This Parts Catalogue is related to the parts for the model(s) on the cover page. When you are ordering replacement parts, please refer to this Parts Catalogue and quote both part numbers and part names correctly.

1. Modifications or additions which have been made after the issue of the Parts Catalogue will be announced in the Parts News.
It is advisable that you make the necessary corrections to the Parts Catalogue according to the Parts News.

2. Abbreviations

The following abbreviations are used in this Parts Catalogue.

“UR” Use specified parts number.

“UN” Use as many as needed.

“AP” Alternate Parts

“LM” Locally Made (Parts need to be ordered locally)

“F#” Frame No. (Applicable machine No.)

“O/S” Over Size

3. The number of components for assembly

- Parts, which are to be supplied in an assembly, are listed with a dot (.) in front of the part name as shown below.
- The numeral appearing to the right of each component part indicates the quantity of parts for each assembly unit.

PART NO.	DESCRIPTION	Q'TY	REMARKS
2F5-83310-60	FRONT FLASHER LIGHT ASSY	2	
115-83311-60	.BULB (6V-18W)	1	

4. Applicable colours of graphics are represented in the “REMARKS” as shown below.

PART NO.	DESCRIPTION	Q'TY	REMARKS
2N4-24110-00-X5	FUEL TANK COMP.	2	MXR
3J1-24240-10	.GRAPHIC, FUEL TANK	1	FOR MXR

5. Note that the illustrations for reference in finding parts numbers are not to be used for assembling. When assembling, please use the applicable service manual.

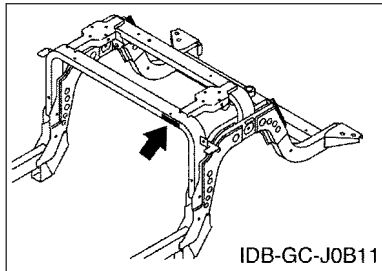
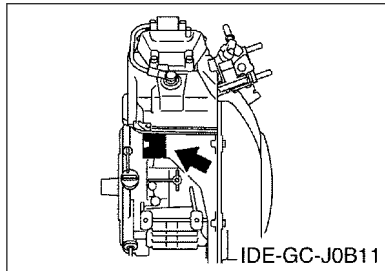
6. The asterisk (*) before a reference number indicates modified items after the first edition.

FOREWORD

7. Applicable Serial No.

Engine Serial No.

Frame Serial No.



8. Applicable Colour Code (The (*) mark shows Model colour.)

Abbreviation	Colour Name	Colour Code
BMG(*)	BLACK METALLIC G	1050
BW1(*)	BLUISH WHITE 1	1571
DNBME(*)	DARK GRAYISH BLUE METALLIC E	0866
DRMV(*)	DEEP RED METALLIC V	1365
DYNAM2(*)	DARK YELLOWISH GRAY METALLIC 2	1509
LNMP(*)	LIGHT GRAY METALLIC P	0925
LNVM8(*)	LIGHT GRAYISH YELLOW ME 8	1047
VPBM6(*)	VIVID PURPLISH BLUE METALLIC 6	1002

9. Quantity Column Information

Column No.	Name Of Q'ty Column	Destination
1	J0D3	CANADA, EUROPE, OTHERS

10. Applicable Starting Serial No.

Frame Serial No.

Serial No.	Name Of Q'ty Column	Model Code
J0D-200101	J0D3	J0D3

CONTENTS

ENGINE 1.....	1
---------------	---

ENGINE

CYLINDER HEAD.....	2
CRANKSHAFT & PISTON.....	3
CAMSHAFT & VALVE.....	4
AIR SHROUD & FAN.....	5
INTAKE 1.....	6
INTAKE 2.....	7
EXHAUST.....	8
CRANKCASE.....	9

BODY

ENGINE BRACKET.....	10
REAR ARM & SUSPENSION.....	11
FRAME.....	13
FRONT SUSPENSION & WHEEL.....	15
STEERING.....	17
FUEL TANK.....	19
PEDAL WIRE.....	20
PEDAL ASSEMBLY.....	21
BRAKE.....	23
GOVERNOR.....	24

DRIVE

PRIMARY SHEAVE.....	25
SECONDARY SHEAVE.....	26
TRANSMISSION.....	27
SHIFTER & CABLES.....	29
REAR AXLE & WHEEL.....	30
BUMPER.....	31
BODY.....	32
BODY 2.....	34
BODY FITTING.....	37
CARRIER.....	38
REAR VIEW MIRROR.....	39
SEAT.....	40

ELECTRICAL

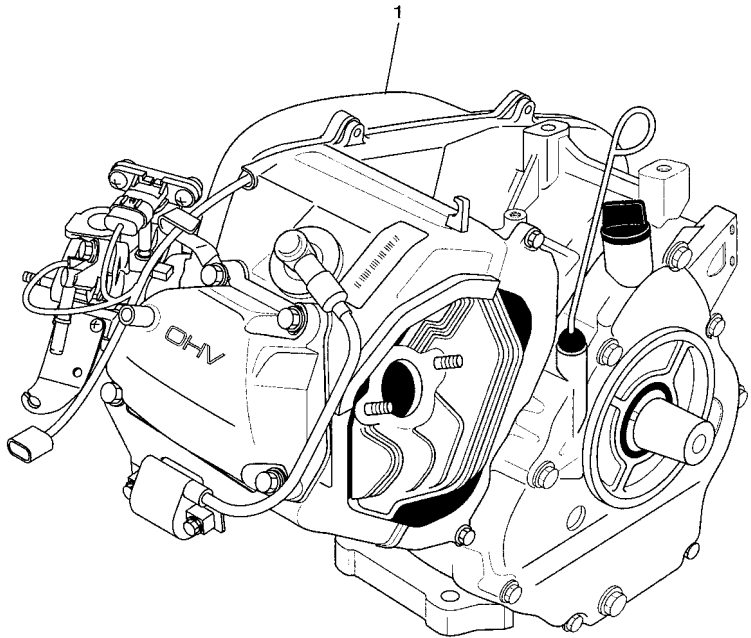
STARTING MOTOR.....	41
---------------------	----

HEAD & TAIL LIGHT.....	43
ELECTRICAL 1.....	45
ELECTRICAL 2.....	47
ALTERNATE FOR CHASSIS.....	50
ALTERNATE FOR WINDSHIELD.....	52
ALTERNATE FOR SUN ROOF.....	54
ALTERNATE FOR SEAT.....	55

INDEX

NUMERICAL INDEX.....	56
----------------------	----

FIG. 1 ENGINE 1



REF. NO.	PART NO.	DESCRIPTION	QTY					REMARKS
1	JOB-19001-10	ENGINE ASSEMBLY	1					

 JC04110-L010

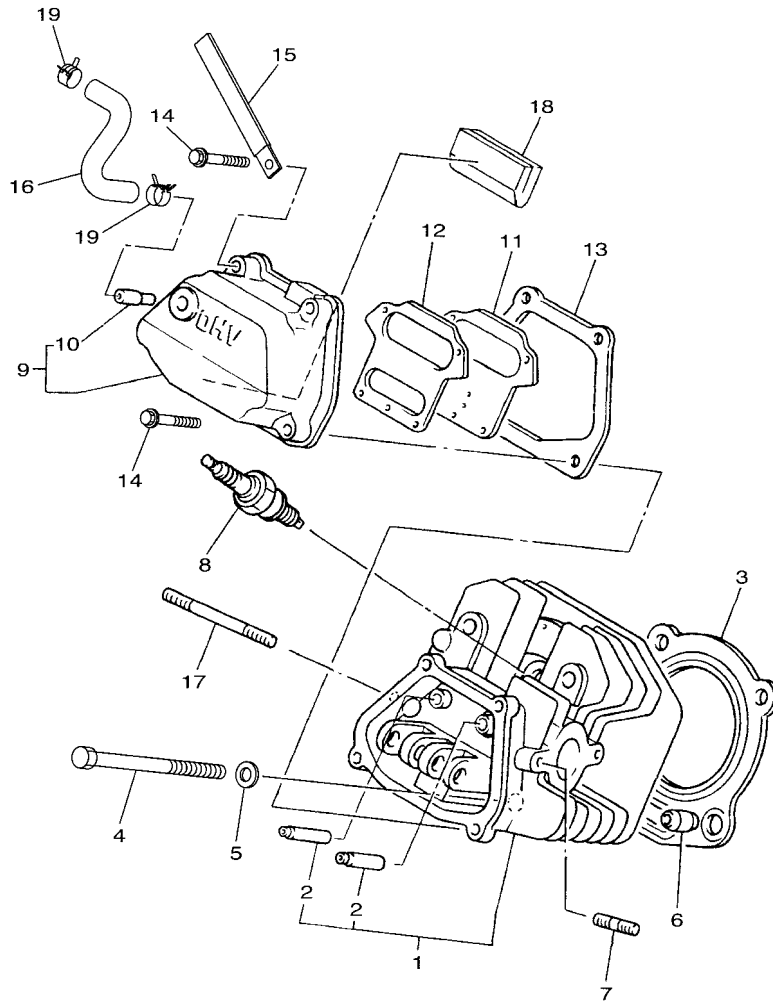


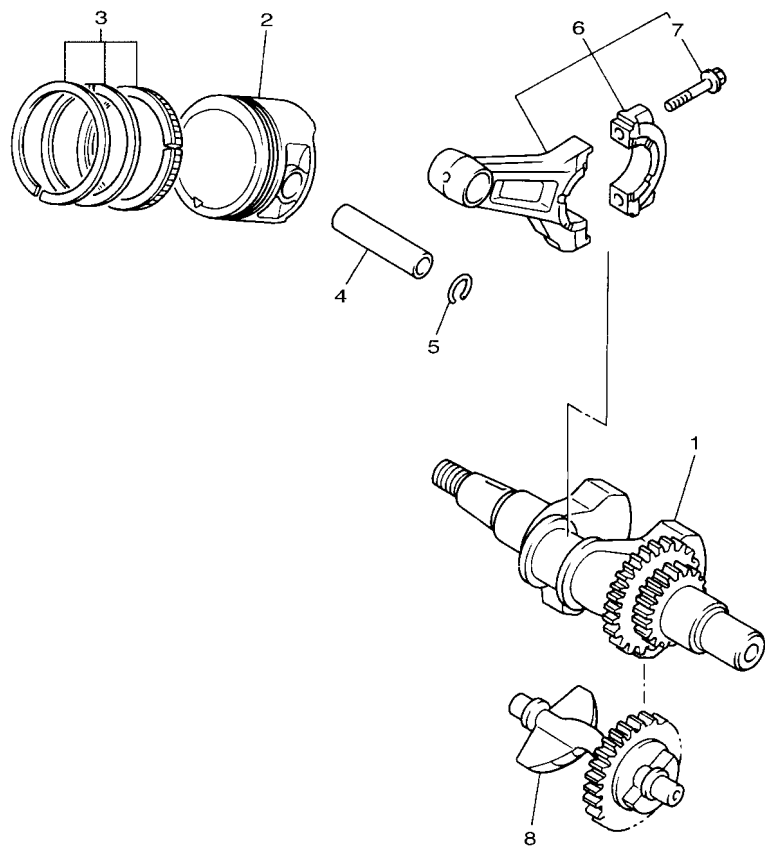
FIG. 2 CYLINDER HEAD

REF. NO.	PART NO.	DESCRIPTION	QTY	REMARKS
1	JT0-11111-00	HEAD, CYLINDER 1	1	
2	JN6-11133-10	.GUIDE, VALVE 1	2	
3	JT0-11181-00	GASKET, CYLINDER HEAD 1	1	
4	97012-10070	BOLT	4	
5	90201-10057	WASHER, PLATE	4	
6	99530-14016	PIN, DOWEL	2	
7	95622-08618	BOLT, STUD	2	
8	94702-00348	PLUG, SPARK (NGK-BPR2ES)	1	STD
	94702-00343	PLUG, SPARK (NGK BR4ES)	1	AP
9	JN6-11191-01	COVER, CYLINDER HEAD 1	1	
10	JN6-11116-00	.JOINT, BREATHER	1	
11	JN6-11168-00	COVER, BREATHER	1	
12	JN6-11169-00	GASKET, BREATHER COVER	1	
13	JN6-11193-00	GASKET, HEAD COVER 1	1	
14	95822-06030	BOLT, FLANGE	4	
15	90462-05061	CLAMP	1	
16	J0B-E1166-00	PIPE, BREATHER 1	1	
17	95602-08710	BOLT, STUD	2	
18	JR7-11163-10	ELEMENT	1	
19	90467-13847	CLIP	2	



J0B1110-S010

FIG. 3 CRANKSHAFT & PISTON

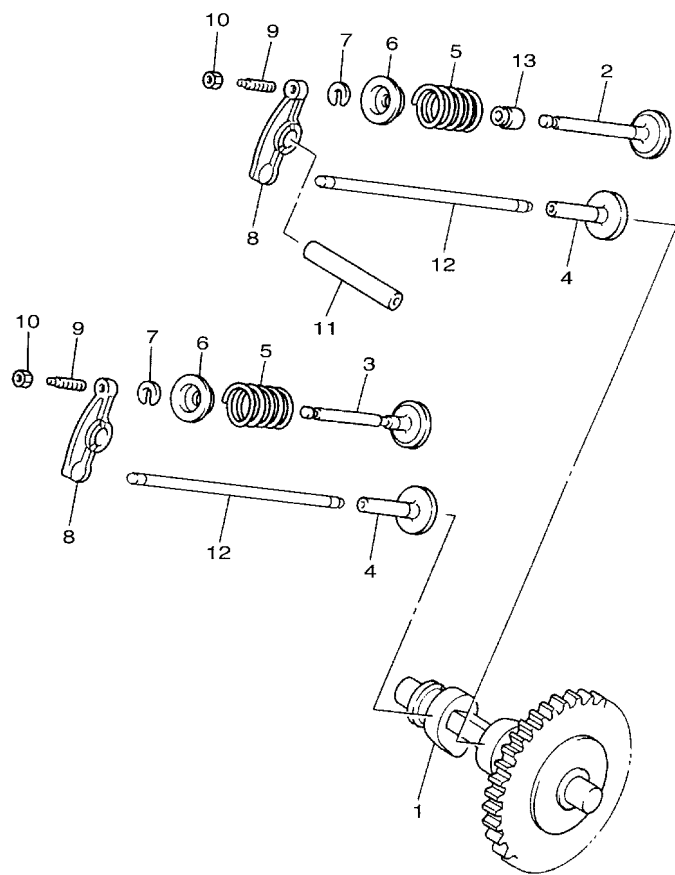


REF. NO.	PART NO.	DESCRIPTION	JOB#				REMARKS
1	JN6-11400-00	CRANKSHAFT ASSY	1				
2	JR7-11631-00-A0	PISTON (STD)	1				
	JR7-11635-00	PISTON (0.25MM O/S)	1				AP
	JR7-11636-00	PISTON (0.50MM O/S)	1				AP
3	JR7-11610-00	PISTON RING SET (STD)	1				
	JR7-11610-10	PISTON RING SET (0.25MM O/S)	1				AP
	JR7-11610-20	PISTON RING SET (0.50MM O/S)	1				AP
4	583-11633-00	PIN, PISTON	1				
5	93450-21053	CIRCLIP	2				
6	JN6-11650-10	CONNECTING ROD ASSY	1				
7	JN6-11654-10	.BOLT, CONNECTING ROD	2				
8	JN6-11454-10	WEIGHT 1	1				



JN7010-6021

FIG. 4 CAMSHAFT & VALVE

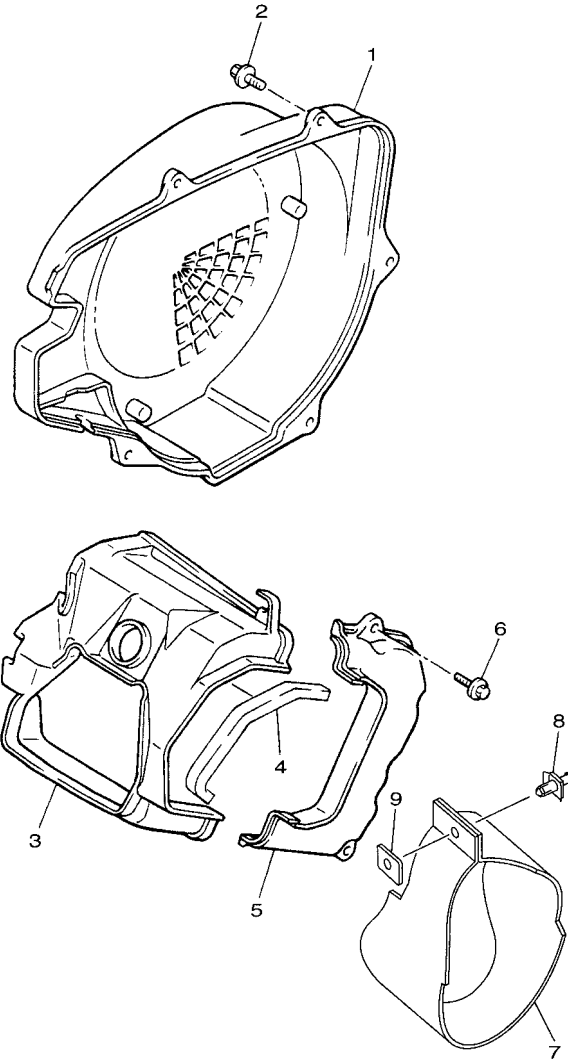


REF. NO.	PART NO.	DESCRIPTION	JOB#				REMARKS
1	JR7-12180-10	CAMSHAFT ASSY 2	1				
2	JN6-12111-10	VALVE, INTAKE	1				
3	7RH-12121-10	VALVE, EXHAUST	1				
4	JN6-12153-10	LIFTER, VALVE	2				
5	90501-264A9	SPRING, COMPRESSION	2				
6	J38-12117-01	RETAINER, VALVE SPRING	2				
7	J38-12118-00	LOCK, VALVE SPRING RETAINER	2				
8	JN6-12151-10	ARM, VALVE ROCKER	2				
9	22F-12159-10	SCREW, VALVE ADJUSTING	2				
10	90170-05302	NUT	2				
11	J38-12156-20	SHAFT, ROCKER 2	1				
12	JR7-12154-10	ROD, VALVE PUSH	2				
13	4G0-12119-00	SEAL, VALVE STEM	1				



JD13110-K030

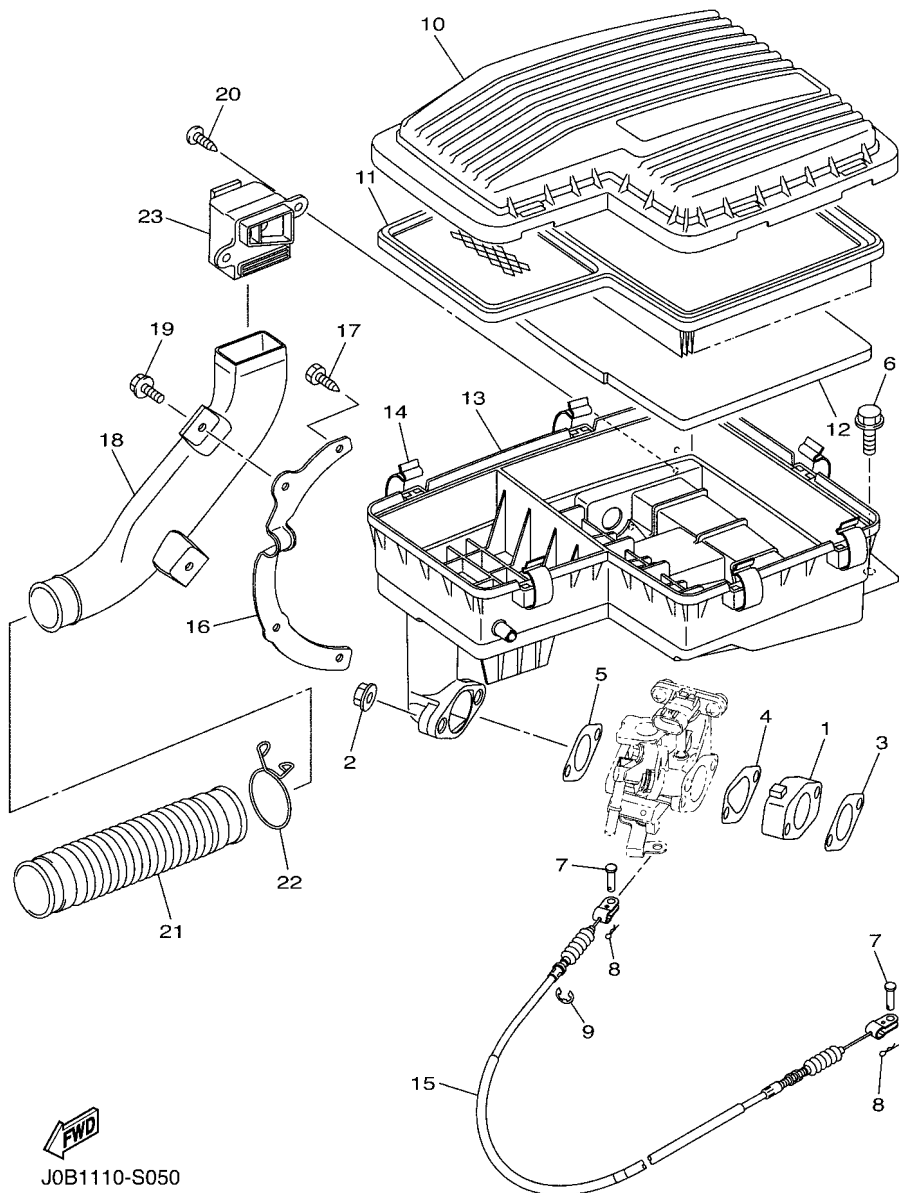
FIG. 5 AIR SHROUD & FAN



REF. NO.	PART NO.	DESCRIPTION	JOB				REMARKS
1	JN6-12621-02	CASE, FAN	1				
2	95802-06020	BOLT, FLANGE	4				
3	JN6-12651-01	AIR SHROUD, CYLINDER 1	1				
4	JR7-12658-00	DAMPER, AIR SHROUD 1	1				
5	JN6-12652-00	AIR SHROUD, CYLINDER 2	1				
6	95802-06020	BOLT, FLANGE	2				
7	J0B-E2691-00	DUCT 1	1				
8	90269-10001	RIVET	1				
9	JR7-12634-00	PLATE 2	1				



J0B1110-S040

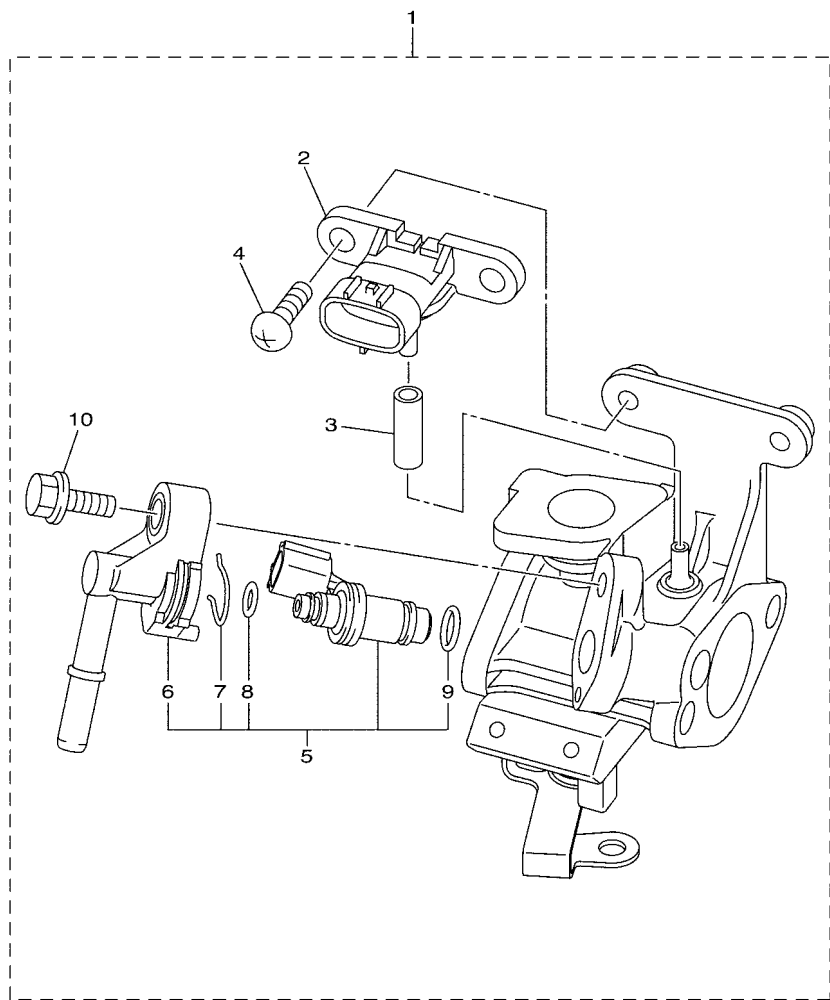


J0B1110-S050

FIG. 6 INTAKE 1

REF. NO.	PART NO.	DESCRIPTION	JOB#				REMARKS
1	JC0-13595-00	JOINT	1				
2	95702-08500	NUT, FLANGE	2				
3	JN6-13567-00	GASKET	1				
4	JC0-13567-00	GASKET	1				
5	JN6-13567-00	GASKET	1				
6	95802-06016	BOLT, FLANGE	2				
7	91702-05010	PIN, CLEVIS	2				
8	90468-10049	CLIP	2				
9	99001-07600	CIRCLIP	1				
10	J0B-E4412-00	CAP, CLEANER CASE 1	1				
11	J0B-E4451-01	ELEMENT, AIR CLEANER	1				
12	JU0-E445E-00	FILTER 1	1				
13	J0B-E4411-01	CASE, AIR CLEANER 1	1				
14	3B4-14424-00	CLIP, CAP FITTING	7				
15	J0B-F6312-00	CABLE, THROTTLE 2	1				
16	J0B-E4413-00	STAY	1				
17	97702-60416	SCREW, TAPPING	2				
18	J0B-E5471-00	DUCT, AIR	1				
19	90105-06057	BOLT, FLANGE	2				
20	97702-50016	SCREW, TAPPING	2				
21	J0B-E4437-00	DUCT	1				
22	90467-24140	CLIP	1				
23	J0B-E4453-01	JOINT, AIR CLEANER 1	1				

FIG. 7 INTAKE 2



REF. NO.	PART NO.	DESCRIPTION	JOB3				REMARKS
1	J0B-13750-00	THROTTLE BODY ASSY	1				
2	1C7-82380-00	.SENSOR, PRESSURE	1				
3	JC0-13542-00	.HOSE, VACUUM SENSING 1	1				
4	98502-06014	.SCREW, PAN HEAD	2				
5	J0B-13770-00	.INJECTOR ASSY	1				
6	52S-13938-00	..PIPE	1				
7	52B-14137-00	..CLIP	1				
8	52B-14147-00	..O-RING	1				
9	5CA-14147-00	..O-RING	1				
10	95812-06025	..BOLT, FLANGE	1				



J0B1110-S061

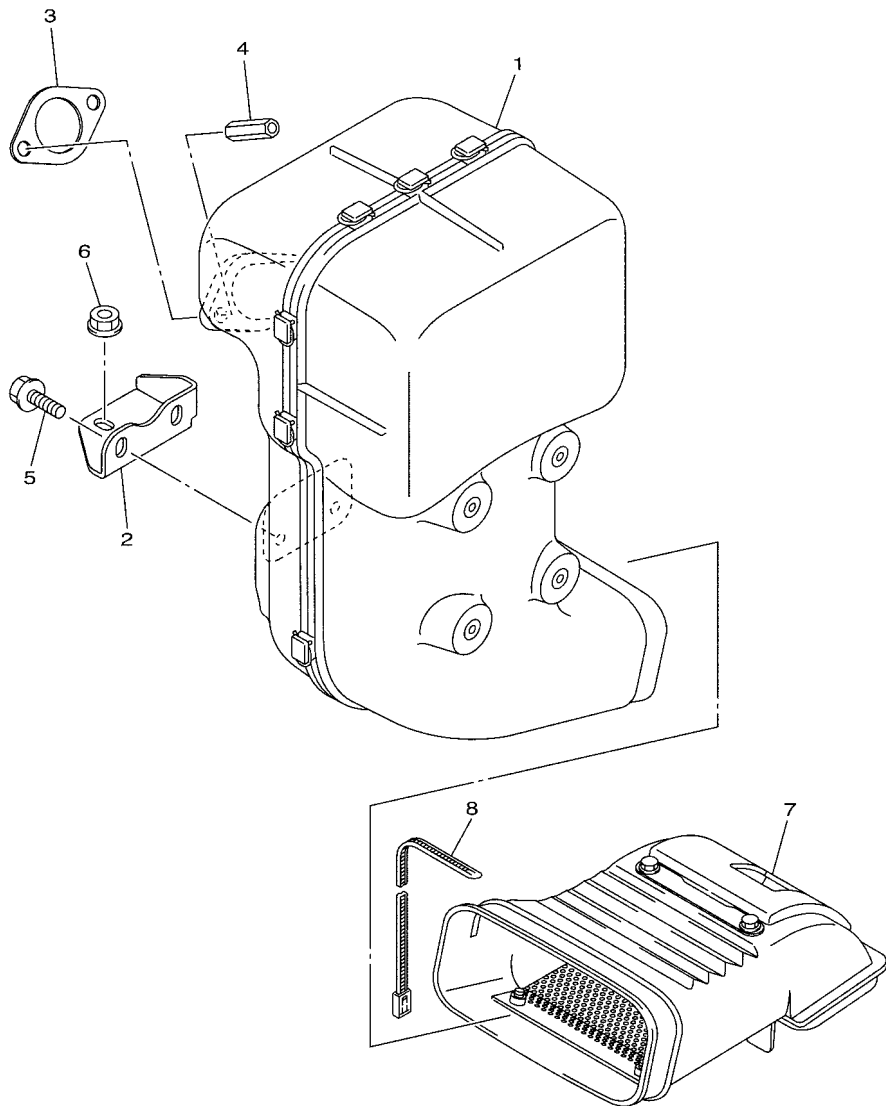
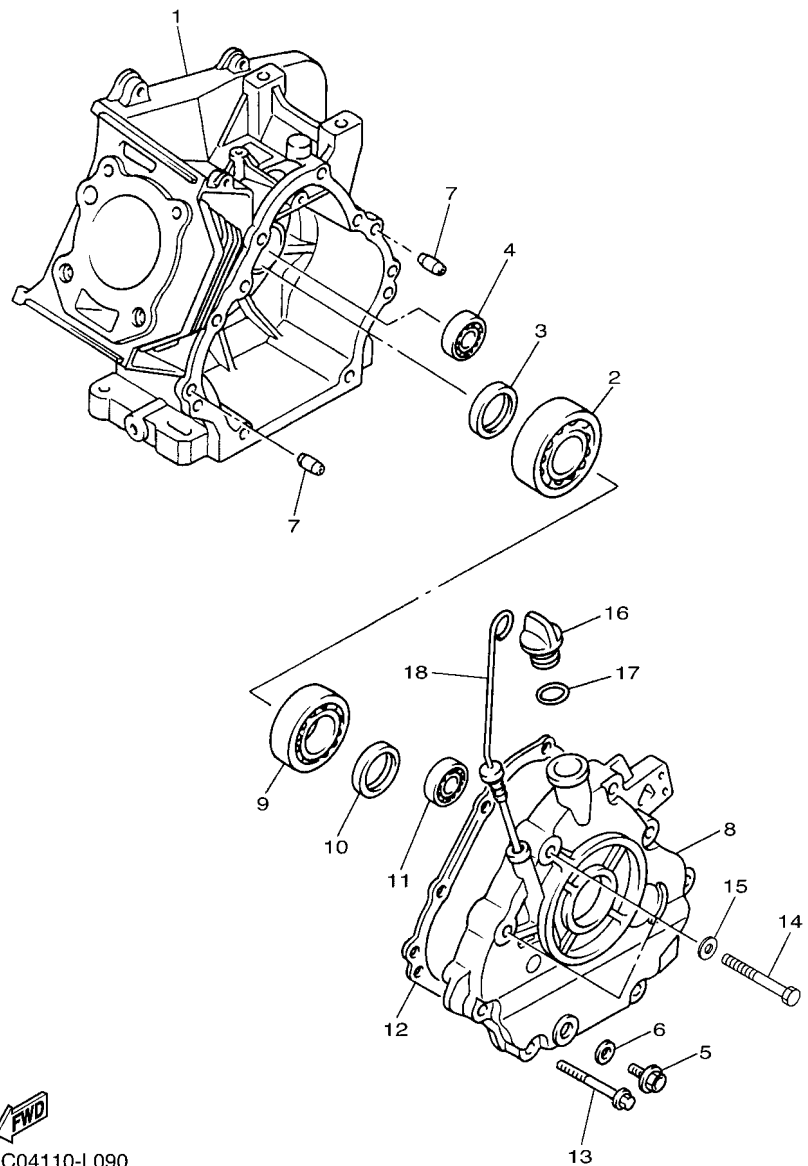


FIG. 8 EXHAUST

REF. NO.	PART NO.	DESCRIPTION	J008					REMARKS
1	J0B-E4710-01	MUFFLER ASSY 1	1					
2	J0B-F1436-00	BRKT., MUFF. 2	1					
3	7KY-14613-01	GASKET, EXHAUST 1	1					
4	JW1-E4713-00	NUT, MUFFLER JOINT	2					
5	95822-08020	BOLT, FLANGE	2					
6	95702-08500	NUT, FLANGE	1					
7	J0B-E4430-01	DUCT ASSY	1					
8	90464-09823	CLAMP	1					

 J0B2100-T080

FIG. 9 CRANKCASE

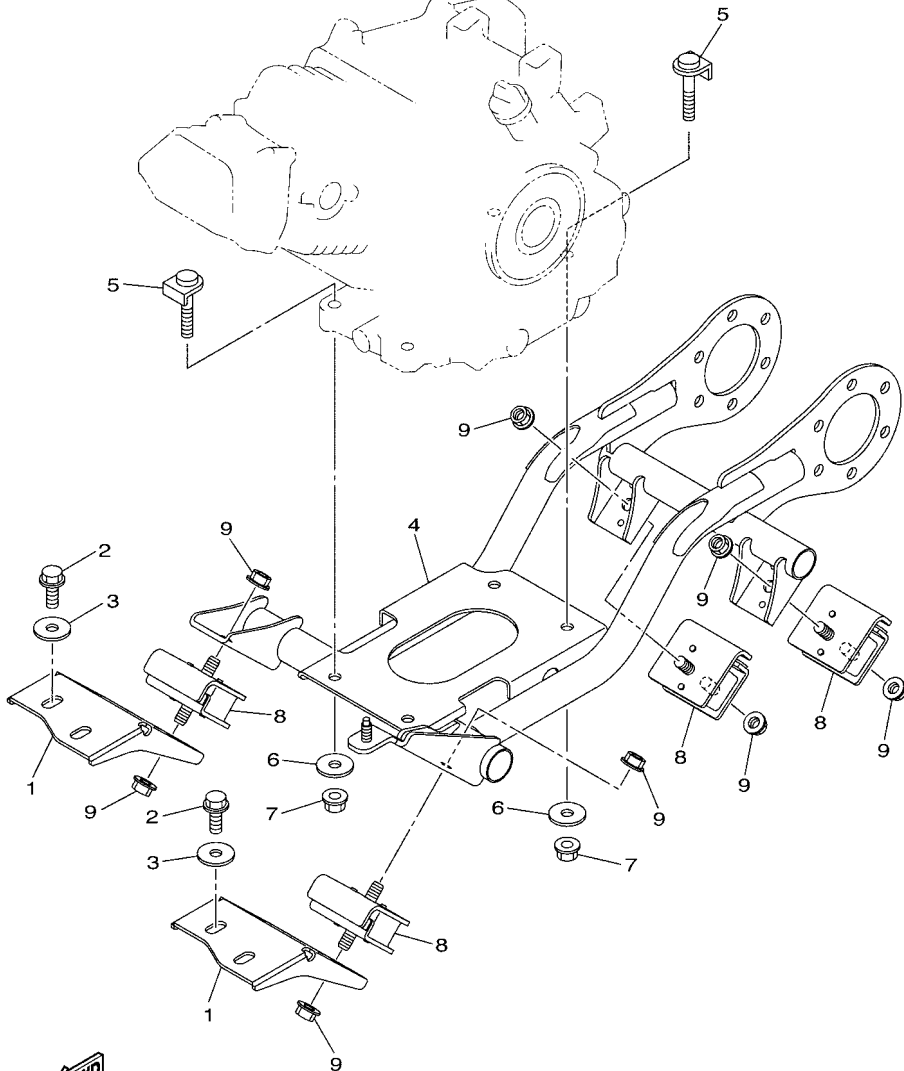


REF. NO.	PART NO.	DESCRIPTION	JOB#				REMARKS
1	JC0-15111-01	CRANKCASE 1	1				
2	93306-30709	BEARING	1				
3	93102-35014	OIL SEAL	1				
4	93306-20201	BEARING	1				
5	90340-12097	PLUG, STRAIGHT SCREW	1				
6	812-11198-00	GASKET	1				
7	99530-08016	PIN, DOWEL	2				
8	JN6-15411-01	COVER, CRANKCASE 1	1				
9	93306-20714	BEARING	1				
10	93102-35014	OIL SEAL	1				
11	93306-20201	BEARING	1				
12	JY2-15451-00	GASKET, CRANKCASE COVER 1	1				
13	95812-08045	BOLT, FLANGE	6				
14	97012-10050	BOLT	2				
15	90201-10057	WASHER, PLATE	2				
16	796-15363-01	PLUG, OIL	1				
17	93210-22344	O-RING	1				
18	J38-15361-00	GAUGE, LEVEL	1				



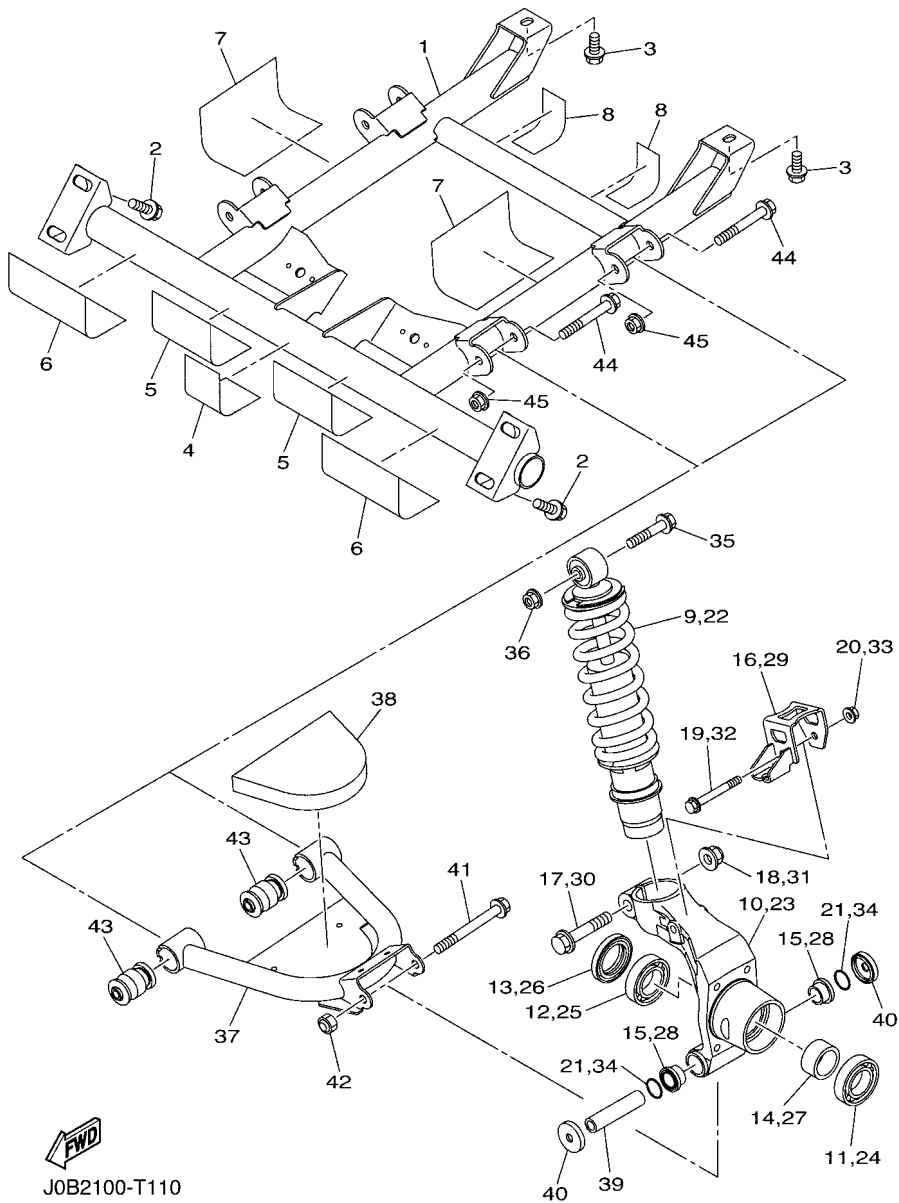
JC04110-L090

FIG. 10 ENGINE BRACKET



 J0B1110-S090

REF. NO.	PART NO.	DESCRIPTION	JOB#				REMARKS
1	J0B-F1411-00	BRACKET, ENGINE 1	2				
2	95812-10020	BOLT, FLANGE	4				
3	90201-10072	WASHER, PLATE	4				
4	J0B-F1419-01	BRACKET, ENGINE 2	1				
5	JT0-21481-00	BOLT, ENGINE MOUNTING 1	4				
6	92902-10200	WASHER	4				
7	95602-10200	NUT, S/L FLANGE	4				
8	J0B-F1485-00	DAMPER, RUBBER 1	4				
9	95602-10200	NUT, S/L FLANGE	8				



J0B2100-T110

FIG. 11 REAR ARM & SUSPENSION

REF. NO.	PART NO.	DESCRIPTION	JOB#				REMARKS
1	J0B-F2110-02	REAR ARM COMP.	1				
2	95822-10020	BOLT, FLANGE	4				
3	J0B-F1531-00	BOLT	2				
4	J0B-F8218-00	SEAL 1	1				
5	J0B-F8228-00	SEAL 2	2				
6	J0B-F8238-00	SEAL 3	2				
7	J0B-F8268-00	SEAL 4	2				
8	J0B-F8278-00	SEAL 5	2				
9	J0B-F2210-00	SHOCK ABSORBER ASSY, REAR	1				
10	J0B-F53A1-01	KNUCKLE, REAR	1				
11	93306-00622	BEARING	1				
12	93306-006Y4	BEARING	1				
13	93106-38046	OIL SEAL	1				
14	J0B-F3113-00	COLLAR	1				
15	90381-17803	BUSH, SOLID	2				
16	J0B-F537W-00	BRACKET 1	1				
17	95812-12055	BOLT, FLANGE	1				
18	95602-12200	NUT, SELF-LOCKING	1				
19	95812-08060	BOLT, FLANGE	1				
20	95702-08500	NUT, FLANGE	1				
21	93210-19001	O-RING	2				
22	J0B-F2210-00	SHOCK ABSORBER ASSY, REAR	1				
23	J0B-F53A1-01	KNUCKLE, REAR	1				
24	93306-00622	BEARING	1				
25	93306-006Y4	BEARING	1				
26	93106-38046	OIL SEAL	1				
27	J0B-F3113-00	COLLAR	1				

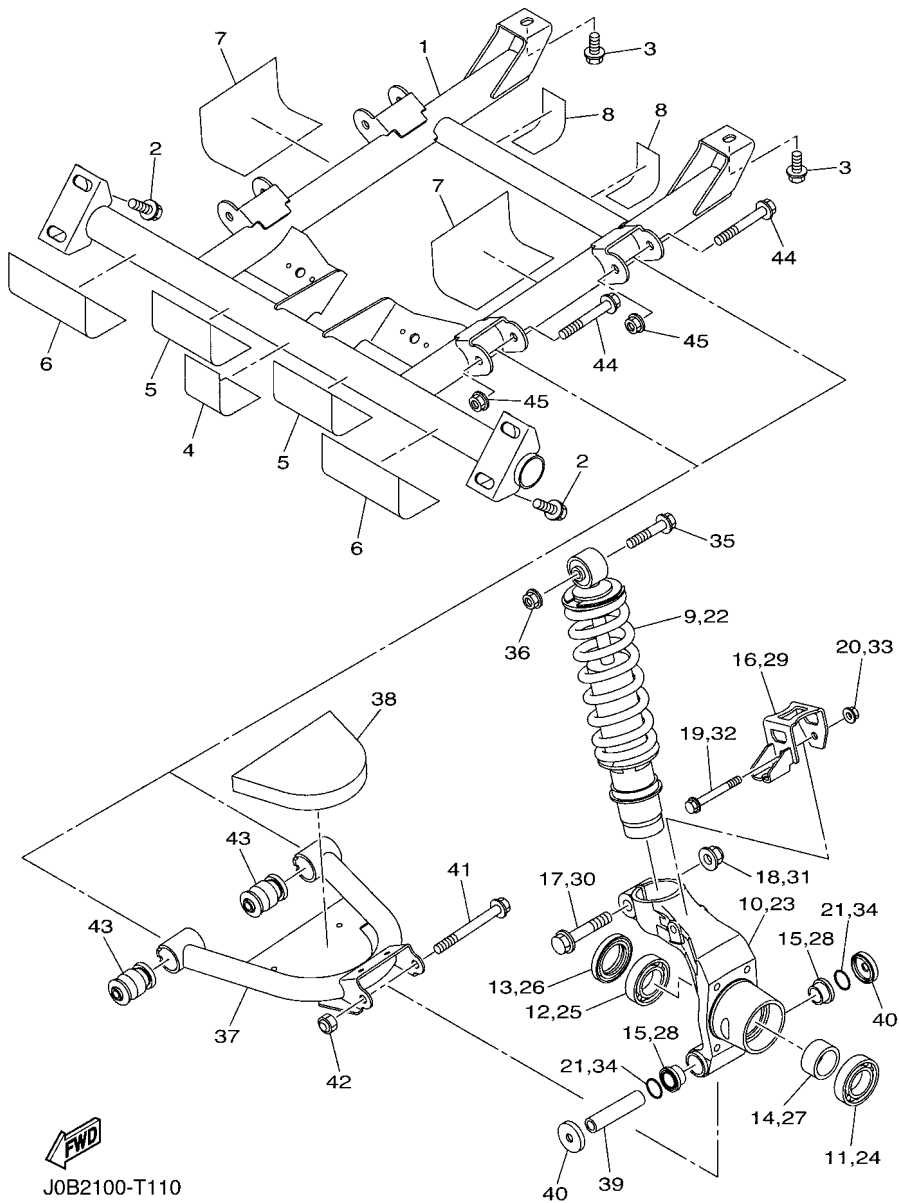


FIG. 11 REAR ARM & SUSPENSION

REF. NO.	PART NO.	DESCRIPTION	JOB#				REMARKS
28	90381-17803	BUSH, SOLID	2				
29	J0B-F537W-00	BRACKET 1	1				
30	95812-12055	BOLT, FLANGE	1				
31	95602-12200	NUT, SELF-LOCKING	1				
32	95812-08060	BOLT, FLANGE	1				
33	95702-08500	NUT, FLANGE	1				
34	93210-19001	O-RING	2				
35	95812-10055	BOLT, FLANGE	2				
36	95602-10200	NUT, S/L FLANGE	2				
37	J0B-F2171-01	ARM, REAR 1	2				
38	J0B-K8254-00	PAD, SILENCER 4	2				
39	5KM-23448-00	SPACER	2				
40	5UG-23517-10	COVER, THRUST 1	4				
41	90105-10185	BOLT, FLANGE	2				
42	90185-10012	NUT, SELF-LOCKING	2				
43	2HR-23526-00	BUSH	4				
44	90105-10267	BOLT, FLANGE	4				
45	95602-10200	NUT, S/L FLANGE	4				

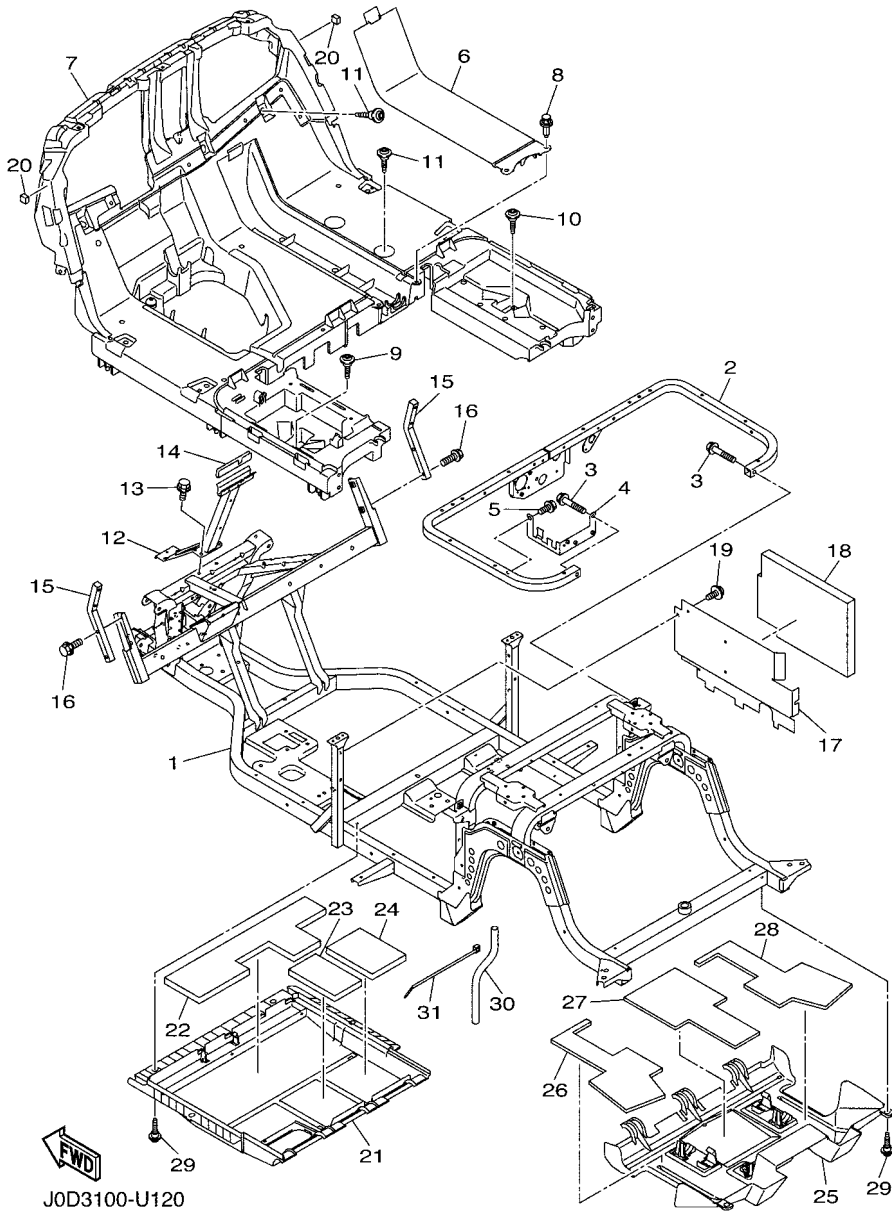


FIG. 12 FRAME

REF. NO.	PART NO.	DESCRIPTION	J0D3				REMARKS
1	J0B-F2501-10	FRAME COMP.	1				
2	J0B-F255G-00	MEMBER, SEAT SUPPORT	1				
3	95812-08040	BOLT, FLANGE	2				
4	J0B-F253B-01	STAY, RELAY	1				
5	90105-08867	BOLT, FLANGE	1				
6	J0B-F7413-01	COVER, FOOTREST	1				
7	J0D-F7411-01	FOOTREST 1	1				
8	90269-09003	RIVET	2				
9	J0B-F1738-00	BOLT	1				
10	J0B-F1738-00	BOLT	1				
11	J0B-F1738-00	BOLT	7				
12	J0B-F258E-10	SUPPORT, FRONT COWL	1				
13	90105-08867	BOLT, FLANGE	2				
14	J0B-F2127-00	SHIM	1				
15	J1B-K816M-00	SUPPORT, HOLDER	2				
16	90105-088B6	BOLT, FLANGE	4				
17	J0B-F258R-01	PLATE, BATTERY 3	1				
18	J0B-K8252-01	PAD, SILENCER 2	1				
19	90105-08867	BOLT, FLANGE	2				
20	J0B-K821A-00	PAD, BODY MOUNTING1	2				
21	J0B-F3123-01	COVER, UNDER 1	1				
22	J0B-K8256-00	PAD, SILENCER 6	1				
23	J0B-K8257-00	PAD, SILENCER 7	1				
24	J0B-K8258-00	PAD, SILENCER 8	1				
25	J0B-F3133-02	COVER, LOWER 2	1				
26	J0B-K8259-00	PAD, SILENCER 9	1				
27	J0B-K825A-00	PAD, SILENCER 10	1				

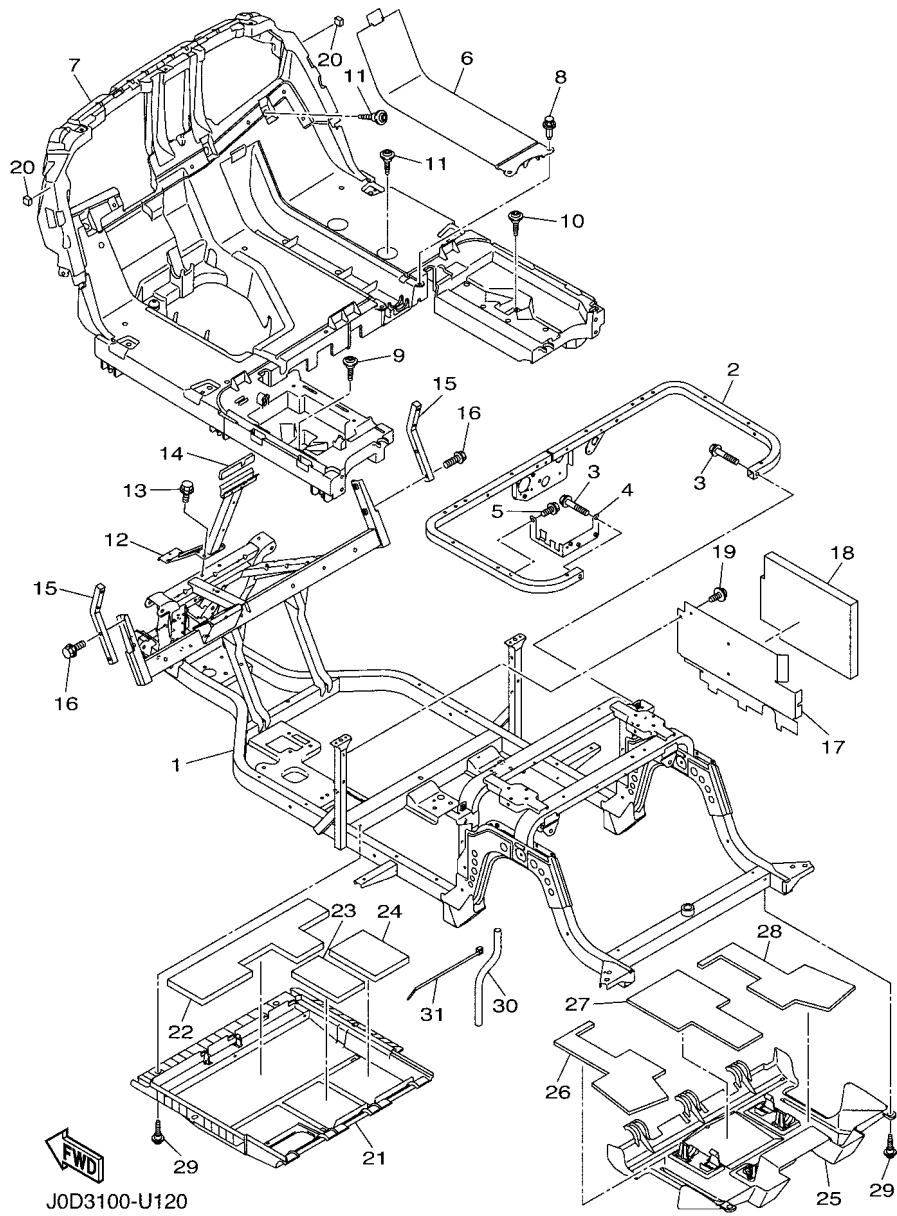
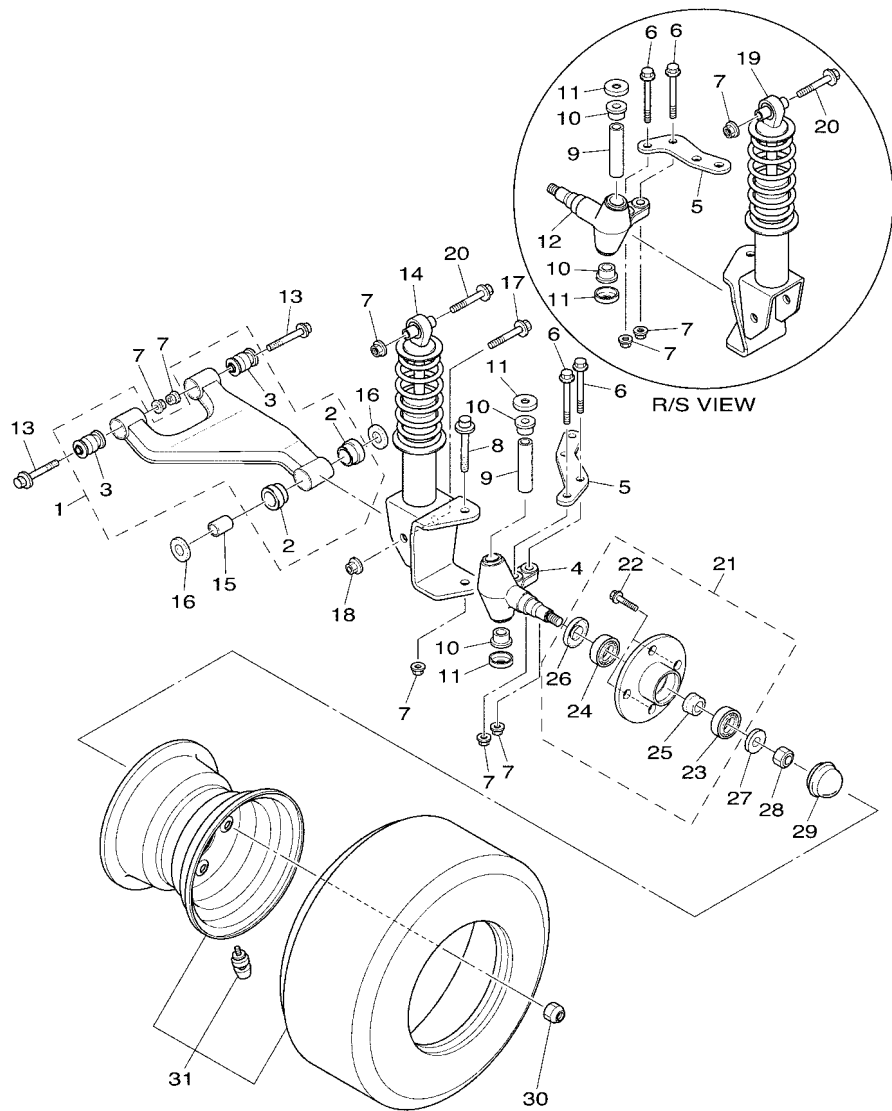


FIG. 12 FRAME

REF. NO.	PART NO.	DESCRIPTION	J0D3			REMARKS
28	J0B-K825E-00	PAD, SILENCER 11	1			
29	J0B-F1738-00	BOLT	6			
30	J0B-F125J-00	PIPE, DRAIN	2			
31	90464-76800	CLAMP	2			
<hr/>						
<hr/>						
<hr/>						
<hr/>						
<hr/>						
<hr/>						
<hr/>						

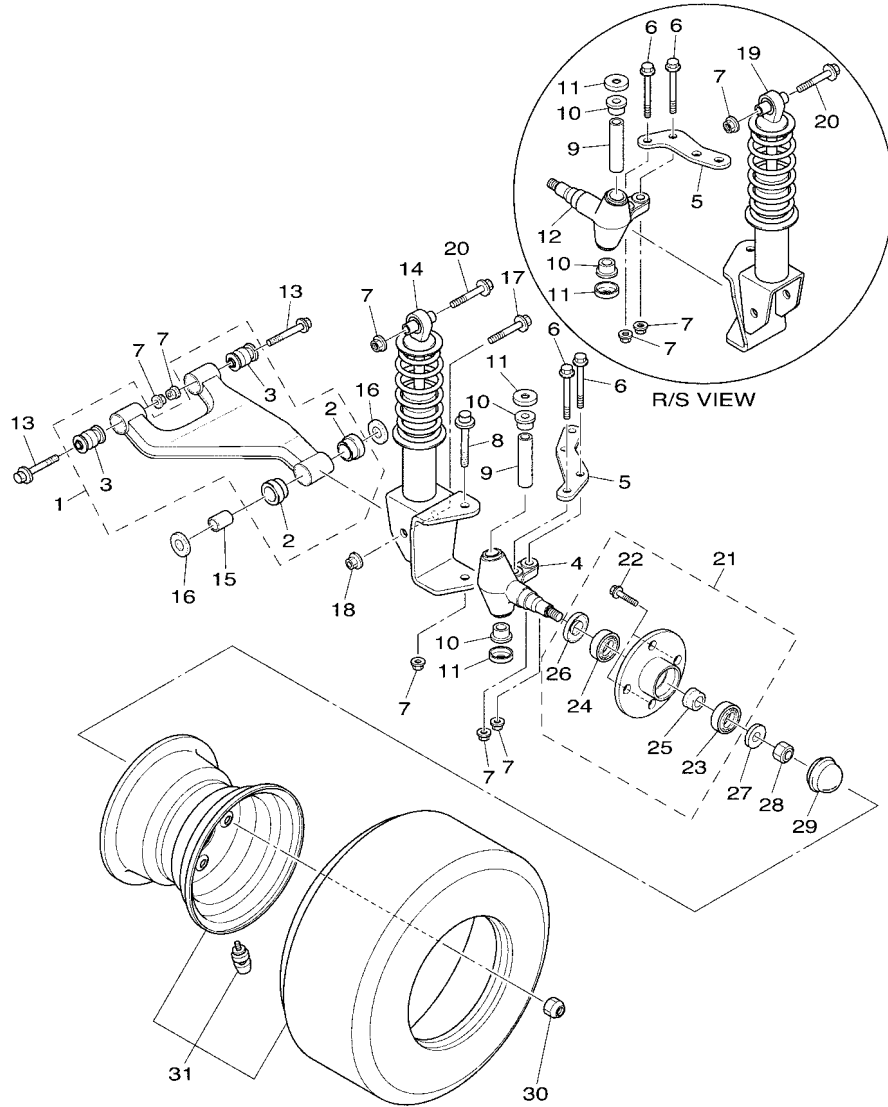
FIG. 13 FRONT SUSPENSION & WHEEL



J0D1100-S130

REF. NO.	PART NO.	DESCRIPTION	J0D3				REMARKS
1	J0B-F3570-10	FRONT LOWER ARM COMP. (LEFT)	2				
2	90381-18801	.BUSH, SOLID	2				
3	2HR-23526-00	.BUSH	2				
4	JU0-F3511-20	KNUCKLE, STEERING 1	1				
5	JW1-F3512-00	ARM, KNUCKLE 1	2				
6	90105-10373	BOLT, FLANGE	4				
7	95602-10200	NUT, S/L FLANGE	12				
8	90105-10219	BOLT, FLANGE	2				
9	2NL-23448-00	SPACER	2				
10	90381-17800	BUSH, SOLID	4				
11	2NL-23517-00	COVER, THRUST 1	4				
12	JU0-F3521-20	KNUCKLE, STEERING 2	1				
13	90105-10267	BOLT, FLANGE	4				
14	J0B-F3350-00	SHOCK ABSORBER ASSY	1				
15	90387-12016	COLLAR	2				
16	401-22128-01	COVER, THRUST 1	4				
17	95812-12080	BOLT, FLANGE	2				
18	95612-12100	NUT, U	2				
19	J0B-F3390-00	SHOCK ABSORBER ASSY 2	1				
20	90105-10267	BOLT, FLANGE	2				
21	JC1-F5103-00	HUB BEARING UNIT ASSY	2				
22	90114-12805	.BOLT, SERRATION	4				
23	93306-204X0	.BEARING	1				
24	93306-005Y3	.BEARING	1				
25	90387-241M7	.COLLAR	1				
26	93102-30083	.OIL SEAL	1				
27	90208-14801	WASHER, CONICAL SPRING	2				

FIG. 13 FRONT SUSPENSION & WHEEL



J0D1100-S130

REF. NO.	PART NO.	DESCRIPTION	J0D3	REMARKS
28	95602-14100	NUT, U	2	
29	JN6-F5118-01	COVER, HUB DUST	2	
30	90179-12262	NUT	8	
31	JC1-F5100-01	WHEEL ASSY (205/65-10 4P)	2	

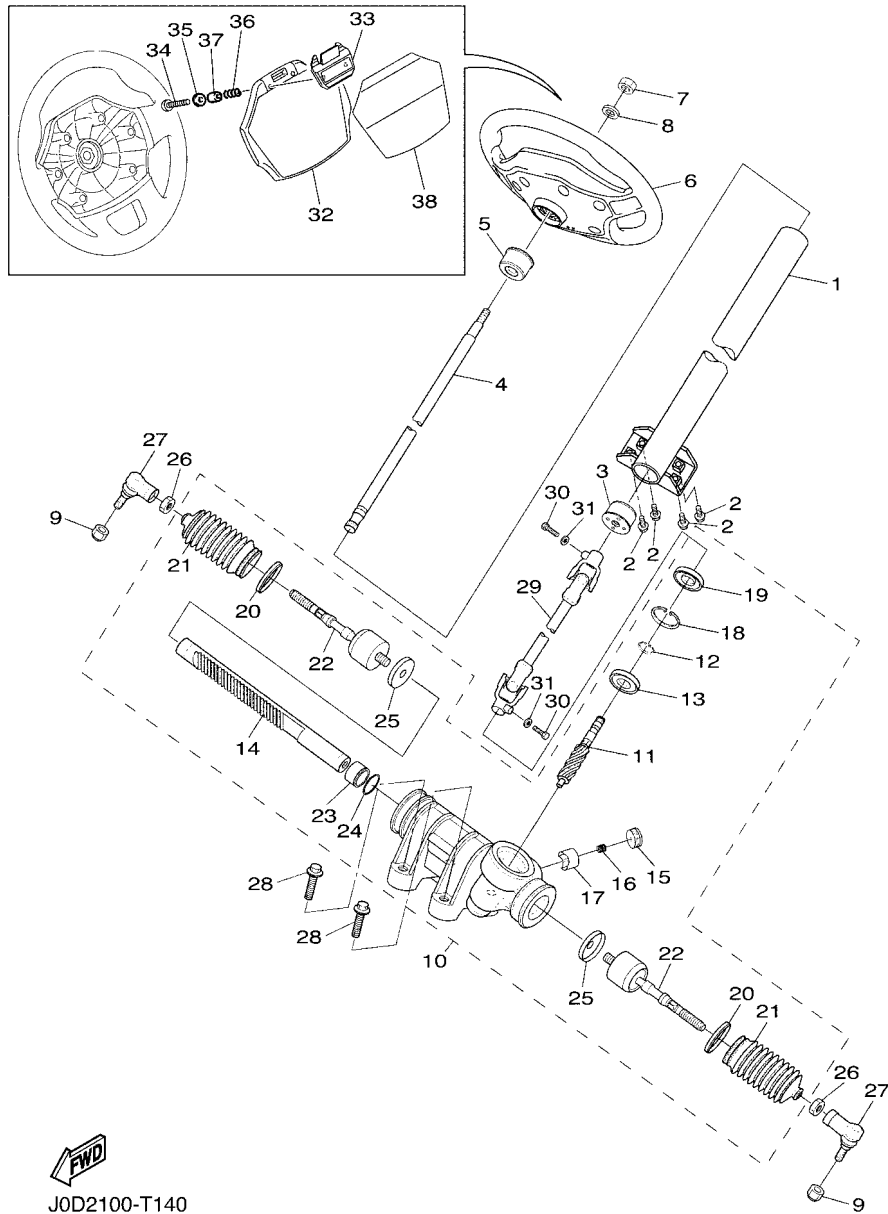
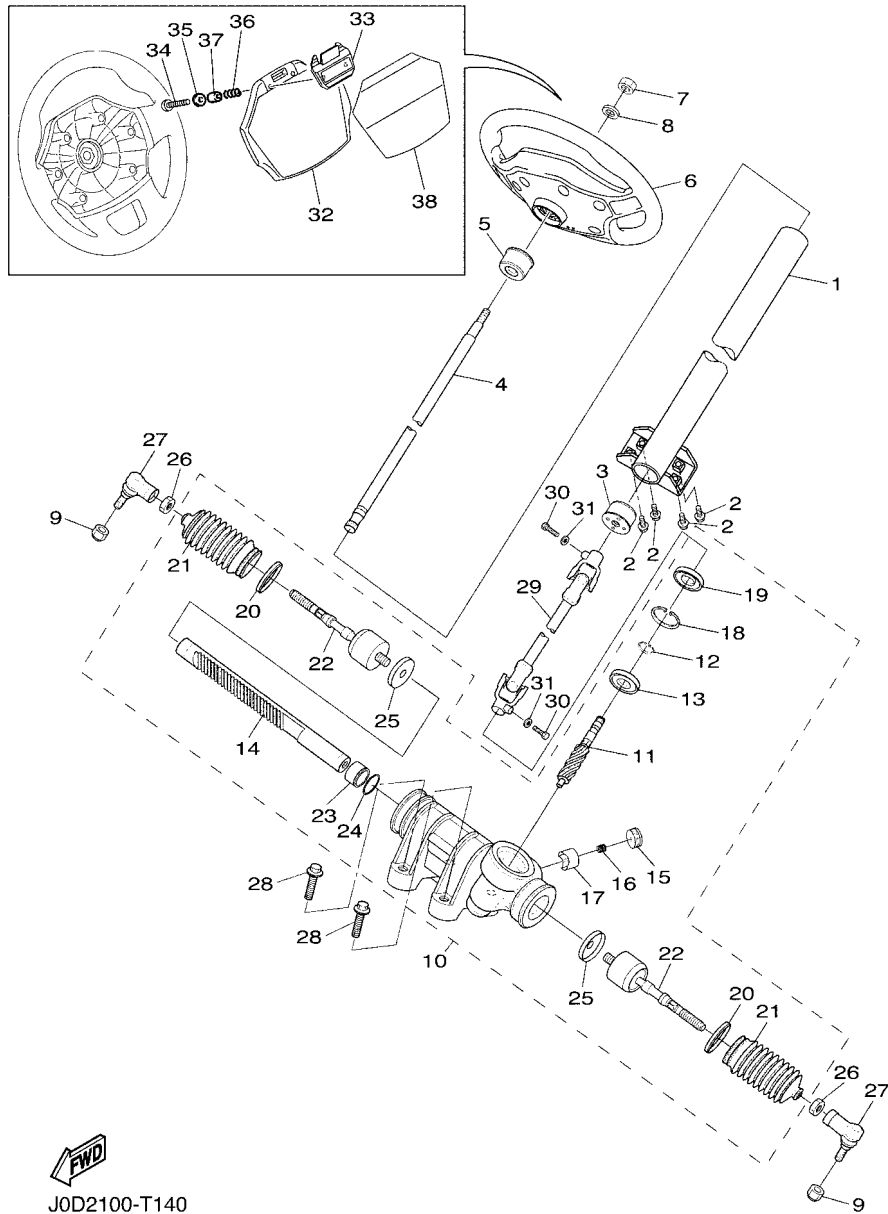


FIG. 14 STEERING

REF. NO.	PART NO.	DESCRIPTION	J0D3				REMARKS
1	J0G-F3811-00	COLUMN, STEERING	1				
2	95812-08020	BOLT, FLANGE	4				
3	JU0-F3857-11	HOLDER	1				
4	JU0-F3828-10	ROD, STEERING	1				
5	JU0-F3857-11	HOLDER	1				
6	J0B-F3838-00	WHEEL, STEERING	1				
7	90185-12008	NUT, SELF-LOCKING	1				
8	92902-12200	WASHER	1				
9	95602-12200	NUT, SELF-LOCKING	2				
10	JW1-F3400-00	STEERING ASSY	1				
11	JW1-F387A-00	.GEAR, PINION	1				
12	JW1-F3183-00	.CIRCLIP	1				
13	JW1-F3812-00	.BEARING, STEERING	1				
14	JW1-F387E-00	.GEAR, RACK	1				
15	5UG-F387G-00	.COVER, ADJUST	1				
16	5UG-F387K-00	.SPRING, PRESSURE	1				
17	5UG-F387F-00	.PAD, PRESSURE	1				
18	5UG-F387J-00	.RING, STOPPER	1				
19	5UG-F3844-00	.SEAL	1				
20	5UG-F3489-00	.BAND	2				
21	5UG-F3527-00	.SEAL, DUST 1	2				
22	JW1-F3837-00	.ROD, TIE 2	2				
23	JW1-F467K-00	.BUSH, CAP	1				
24	JW1-F3866-00	.CIRCLIP	1				
25	JW1-F3894-00	.WASHER, LOCK 1	2				
26	1P0-F3833-00	NUT 1	2				
27	JW8-23841-01	JOINT, UNIVERSAL 1	2				



J0D2100-T140

FIG. 14 STEERING

REF. NO.	PART NO.	DESCRIPTION	J0D8				REMARKS
28	90105-10847	BOLT, FLANGE	4				
29	JW1-F3822-01	JOINT 1	1				
30	97012-08030	BOLT	2				
31	92902-08600	WASHER, PLATE	2				
32	J0D-K8357-00	HOLDER 1	1				
33	J0B-K8358-00	HOLDER 2	1				
34	J0B-K7387-00	SCREW	2				
35	90201-04810	WASHER, PLATE	2				
36	J0B-K7363-00	SPRING	2				
37	J0B-K7115-00	COLLAR	2				
38	J0D-K7762-10	LABEL, WARNING 2	1				UR ENGLISH/FRENCH
	J0D-K7762-20	LABEL, WARNING 2	1				UR GERMAN/SPANISH

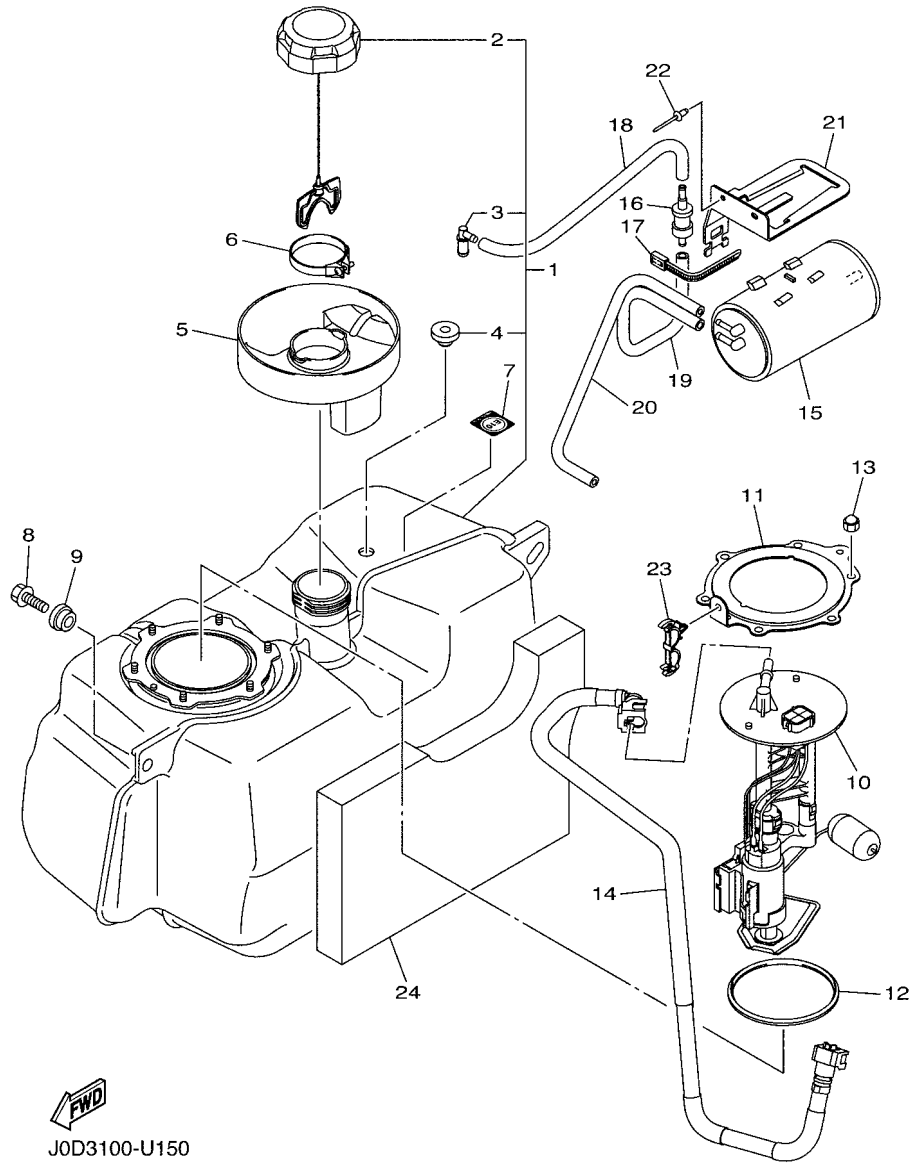


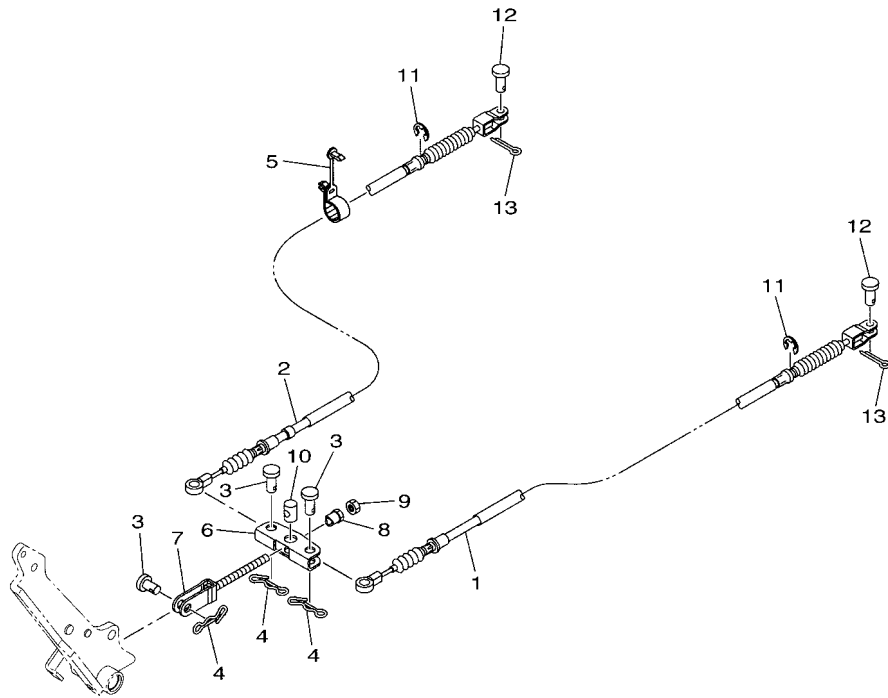
FIG. 15 FUEL TANK

REF. NO.	PART NO.	DESCRIPTION	J0D3				REMARKS
1	JC0-F4111-02	TANK, FUEL	1				
2	JW1-F4610-11	.CAP ASSY	1				
3	JW1-F4112-00	.PIPE	1				
4	JU5-F4375-00	.GROMMET	1				
5	J0B-F4217-00	COVER	1				
6	90450-54008	HOSE CLAMP ASSY	1				
7	B88-2817K-00	LABEL, FUEL	1				
8	JW1-F1738-00	BOLT	2				
9	90560-08251	SPACER	2				
10	J0D-13907-01	FUEL PUMP COMP.	1				
11	JC0-24491-00	BRACKET, FUEL PUMP	1				
12	1S3-24486-00	O-RING	1				
13	95302-06800	NUT, CROWN	6				
14	J0D-13971-00	PIPE, FUEL 1	1				
15	7CC-F4170-01	CANISTER ASSY	1				
16	4WM-24180-00	ROLL OVER VALVE ASSY	1				
17	90464-40825	CLAMP	1				
18	J0B-F4314-00	PIPE 4	1				
19	J0B-F4316-00	PIPE 6	1				
20	J0B-F4317-00	PIPE 7	1				
21	J0B-F419A-00	HOLDER	1				
22	JW7-K7329-00	RIVET	2				
23	90464-18246	CLAMP	1				
24	J0B-K8253-00	PAD, SILENCER 3	1				



J0D3100-U150

FIG. 16 PEDAL WIRE



REF. NO.	PART NO.	DESCRIPTION	JOB#				REMARKS
1	J0B-F6341-00	WIRE, BRAKE 1	1				
2	J0B-F6351-00	CABLE, BRAKE	1				
3	91702-10026	PIN, CLEVIS	3				
4	90468-20196	CLIP	3				
5	JW7-F312H-00	CLAMP	4				
6	JW8-F5681-10	EQUALIZER, BRAKE	1				
7	JN6-F5685-01	ROD	1				
8	90179-08822	NUT	1				
9	95307-08700	NUT	1				
10	90249-14129	PIN	1				
11	99001-09600	CIRCLIP	2				
12	91702-08018	PIN, CLEVIS	2				
13	91490-25015	PIN. COTTER	2				



J0B1110-S150

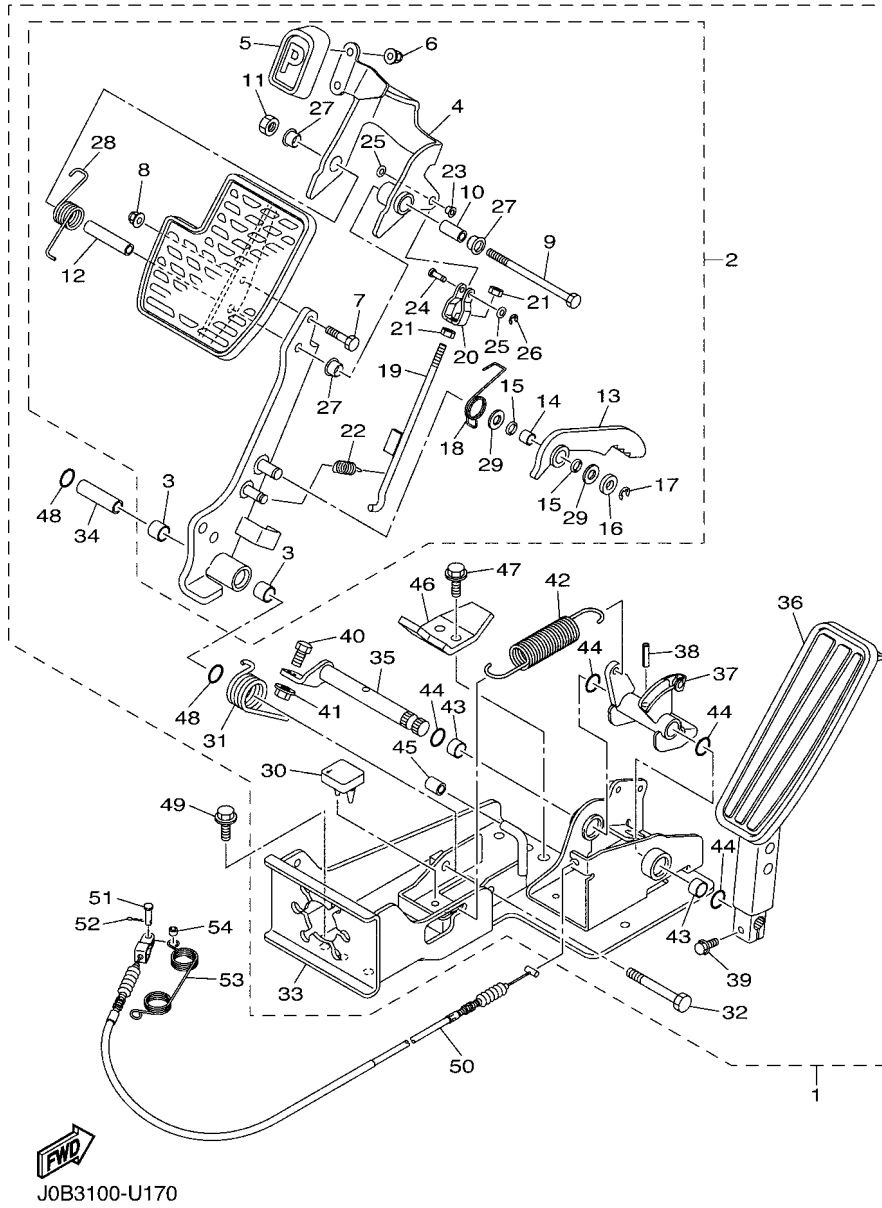


FIG. 17 PEDAL ASSEMBLY

REF. NO.	PART NO.	DESCRIPTION	QTY	REMARKS
1	J0G-F7850-03	PEDAL ASSY (L.H)	1	
2	J0G-F7200-02	.PEDAL, BRAKE	1	
3	JW8-F7814-21	.BUSH, PEDAL	2	
4	J0G-F5671-00	..PEDAL, PARKING BRAKE	1	
5	J0G-F7854-00	..COVER, PEDAL	1	
6	95607-06200	..NUT, SELF U-FLANGE	2	
7	97012-06020	..BOLT	1	
8	JW8-F8363-00	..NUT	1	
9	J0G-F7416-00	..BOLT, FOOTREST	1	
10	JW8-F639N-00	..COLLAR	1	
11	J0G-F7218-00	..NUT	1	
12	J0G-F7313-00	..COLLAR	1	
13	JW9-F5666-00	..SECTOR, PARKING BRAKE	1	
14	JW8-F7121-00	..BUSH	1	
15	JW9-F7221-00	..SEAL, SHAFT	2	
16	JW8-F7322-00	..WASHER	1	
17	JW8-F3183-00	..CIRCLIP	1	
18	JW8-F7426-01	..SPRING, RETURN	1	
19	JW9-F7231-10	..ROD, BRAKE	1	
20	JW9-F7232-00	..END, ROD 2	1	
21	JW8-F7318-00	..NUT	2	
22	JW8-F6314-00	..SPRING	1	
23	J0G-F7814-00	..BUSH, PEDAL	1	
24	JW9-F7228-00	..PIN, JOINT	1	
25	JW8-F8323-00	..WASHER, LEG SHIELD	2	
26	JW8-F5415-00	..CIRCLIP	1	
27	90386-12800	..BUSH	3	

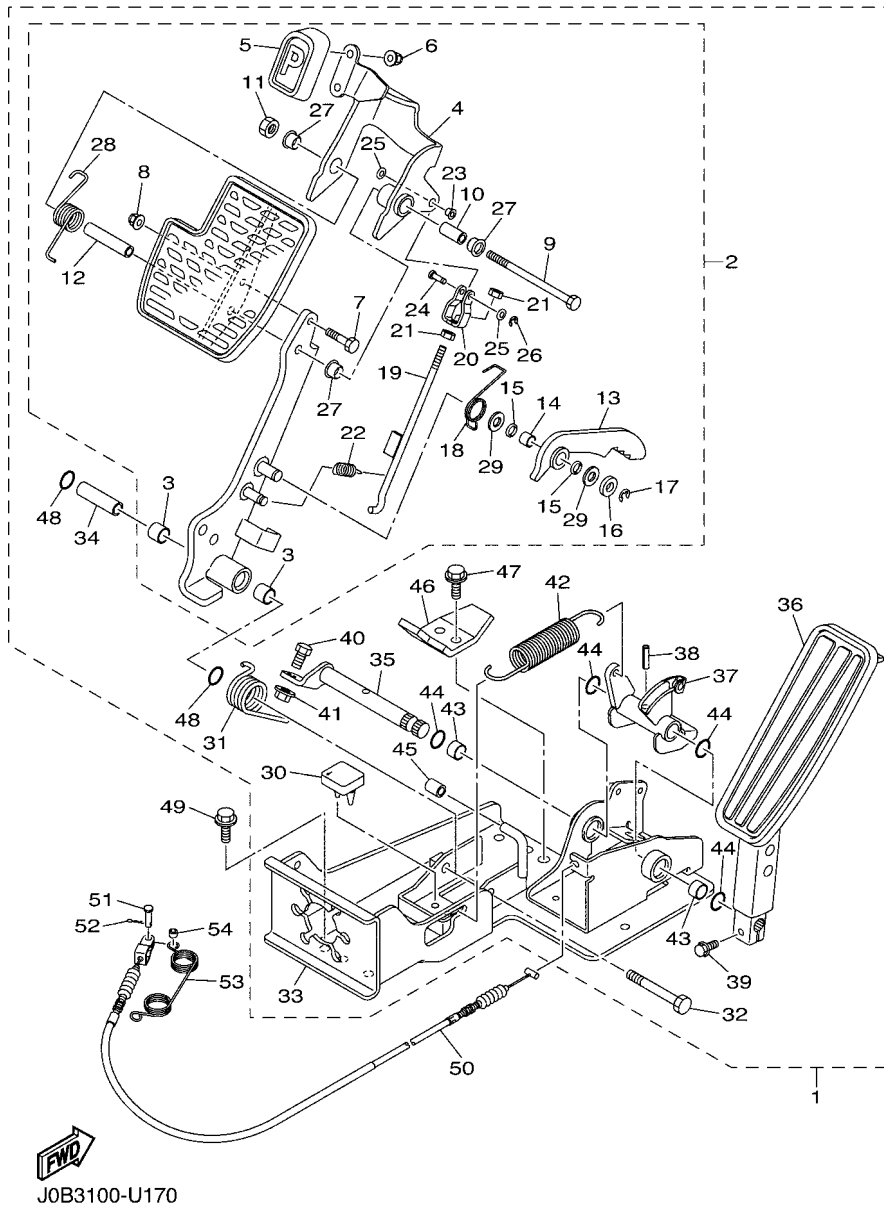
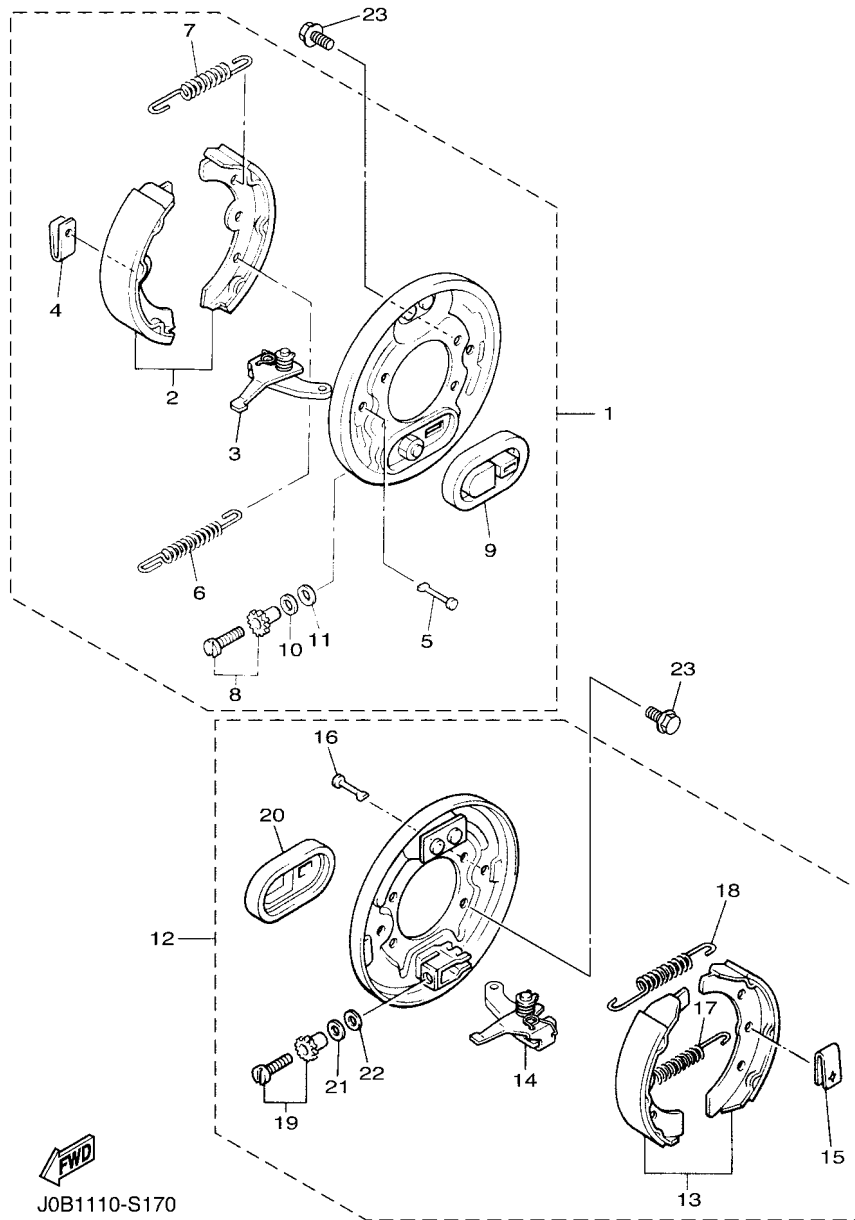


FIG. 17 PEDAL ASSEMBLY

REF. NO.	PART NO.	DESCRIPTION	QTY	REMARKS
28	J0G-F7825-00	..SPRING, RETURN	1	
29	JW8-F7119-00	..WASHER	2	
30	JW9-F7245-10	..PAD, BRAKE PEDAL	1	
31	JW8-F7316-01	..SPRING, SIDE STAND	1	
32	JW8-F7217-00	..BOLT	1	
33	JW8-F7445-31	..PLATE 1	1	
34	JW8-F7213-20	..COLLAR	1	
35	JW8-F7853-10	..SHAFT, PEDAL 1	1	
36	J0G-F7871-01	..PEDAL, ACCELERATOR	1	
37	JW8-F7872-30	..ARM, ACCELERATOR PEDAL	1	
38	JW8-F7438-00	..PIN, CLEVIS	1	
39	JW8-F7434-00	..BOLT	1	
40	JW8-F7317-00	..BOLT	1	
41	JW8-F7118-00	..NUT	1	
42	J0G-F815H-00	..SPRING	1	
43	JW8-F7814-21	..BUSH, PEDAL	2	
44	JW8-F4486-00	..O-RING	4	
45	JW9-F5673-00	..DAMPER, BRAKE	1	
46	JW9-F7246-20	..NAIL, BRAKE	1	
47	JW8-F8331-00	..BOLT, LEG SHIELD	2	
48	JW8-F4486-00	..O-RING	2	
49	95812-08020	BOLT, FLANGE	6	
50	J0B-F6311-00	CABLE, THROTTLE 1	1	
51	91702-05014	PIN, CLEVIS	1	
52	90468-10049	CLIP	1	
53	90508-16460	SPRING, TORSION	1	
54	90560-05001	SPACER	1	

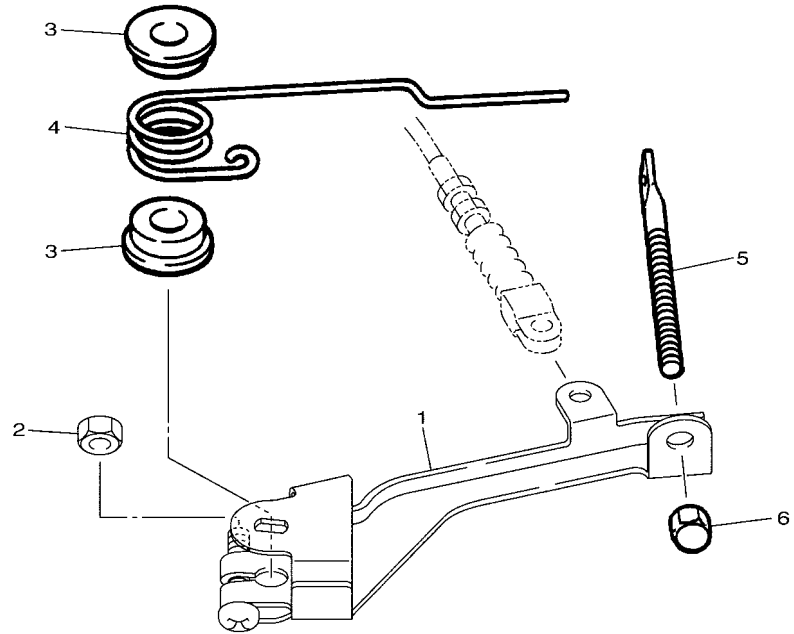


J0B1110-S170

FIG. 18 BRAKE

REF. NO.	PART NO.	DESCRIPTION	QTY	REMARKS
1	JW8-F7280-10	BACKING PLATE ASSY 1	1	
2	JN9-W2536-11	.BRAKE SHOE SET	1	
3	J38-27204-00	.LEVER ASSY 1	1	
4	JW8-F7281-00	.SPRING, SHOE CLAMP	2	
5	J10-27282-00	.PIN, SHOE HOLD DOWN	2	
6	90506-20281	.SPRING, TENSION	1	
7	90506-14001	.SPRING, TENSION	1	
8	J55-27270-00	.ADJUSTER ASSY	1	
9	JW8-F7286-00	.COVER, DUST	1	
10	90201-121H9	.WASHER, PLATE	1	
11	90201-121H8	.WASHER, PLATE	1	
12	JW8-F7290-10	BACKING PLATE ASSY 2	1	
13	JN9-W2536-11	.BRAKE SHOE SET	1	
14	J38-27205-00	.LEVER ASSY 2	1	
15	JW8-F7281-00	.SPRING, SHOE CLAMP	2	
16	J10-27282-00	.PIN, SHOE HOLD DOWN	2	
17	90506-20281	.SPRING, TENSION	1	
18	90506-14001	.SPRING, TENSION	1	
19	J55-27260-00	.ADJUSTER ASSY	1	
20	JW8-F7286-00	.COVER, DUST	1	
21	90201-121H9	.WASHER, PLATE	1	
22	90201-121H8	.WASHER, PLATE	1	
23	90105-082A0	BOLT, FLANGE	8	

FIG. 19 GOVERNOR



REF. NO.	PART NO.	DESCRIPTION	JOB#			REMARKS
1	J0B-27951-00	LEVER, SPEED LIMITER	1			
2	95302-06600	NUT, HEXAGON	1			
3	90386-08141	BUSH	2			
4	90508-40678	SPRING, TORSION	1			
5	J38-27959-00	SCREW, ADJUSTING	1			
6	95602-06200	NUT, SELF-LOCKING	1			

 JOB1110-S180

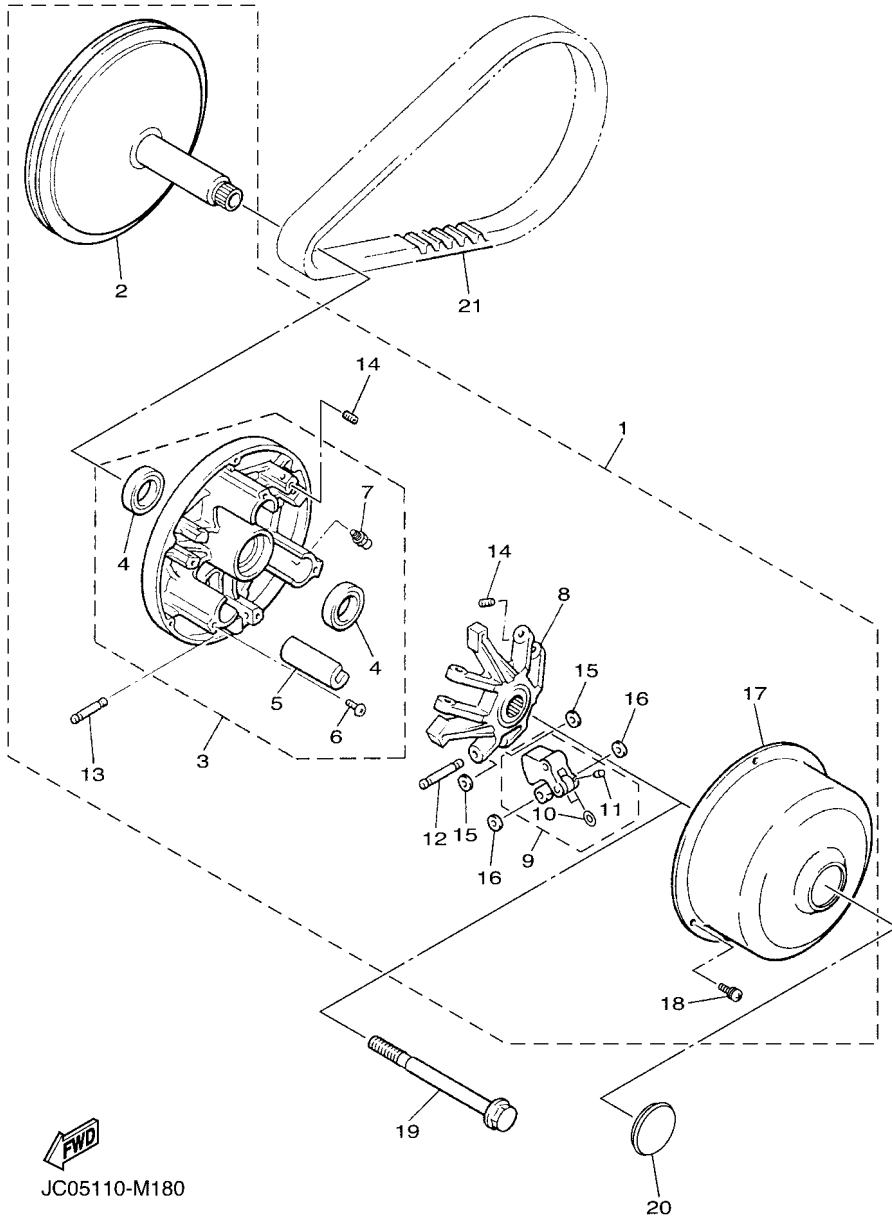
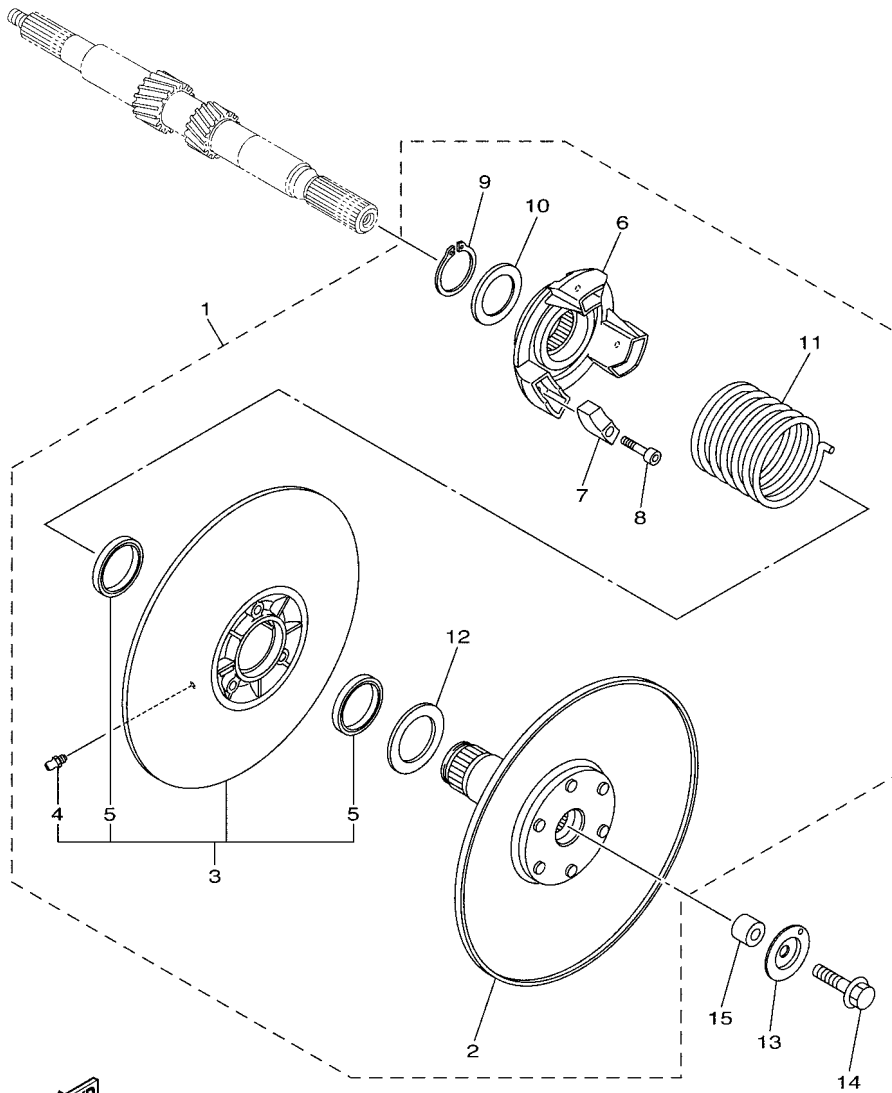


FIG. 20 PRIMARY SHEAVE

REF. NO.	PART NO.	DESCRIPTION	JOB#				REMARKS
1	J0B-G6201-01	PRIMARY CLUTCH ASSY	1				
2	JW8-G6210-01	.PRIMARY FIXED SHEAVE COMP.	1				
3	J0B-G6220-01	.PRIMARY SLIDING SHEAVE COMP.	1				
4	JW8-G624A-00	.OIL SEAL 1	2				
5	JW8-G6253-00	.SLIDER	3				
6	JW8-G4189-00	.SCREW	3				
7	JW8-F135J-00	.NIPPLE	1				
8	JW8-G6251-21	.SPIDER	1				
9	JW8-G6205-22	.WEIGHT LINK ASSY	3				
10	JW8-G5618-00	.WASHER, 1	2				
11	90113-04803	.BOLT, SET	2				
12	JW8-G6236-20	.PIN, WEIGHT	3				
13	JW8-G6237-20	.PIN, WEIGHT 2	3				
14	90113-04803	.BOLT, SET	6				
15	JW8-G5618-00	.WASHER, 1	6				
16	JW8-G5621-00	.WASHER, 2	6				
17	J0B-G6231-00	.CAP	1				
18	JW8-G5282-00	.SCREW	3				
19	JW8-G6249-00	BOLT	1				
20	JW8-G7339-00	PLUG	1				
21	J0D-G6241-00	BELT	1				



J0D2100-T210

FIG. 21 SECONDARY SHEAVE

REF. NO.	PART NO.	DESCRIPTION	J0D3	REMARKS
1	JW8-G6202-23	SECONDARY SHEAVE ASSY	1	
2	JW8-G6260-23	.SECONDARY FIXED SHEAVE COMP.	1	
3	JW8-G6270-21	.SECONDARY SLIDING SHEAVE COMP.	1	
4	JW8-F135J-00	.NIPPLE	1	
5	JW8-G624B-00	.OIL SEAL 2	2	
6	JW8-G6284-10	.SEAT, SECONDARY SPRING	1	
7	JW8-E7688-00	.SHOE, RAMP	3	
8	JW8-G6159-00	.BOLT 3	3	
9	JW8-G5531-00	.CLIP, DRIVE SHAFT	1	
10	JW8-G6374-00	.COLLAR, SPRING	1	
11	JW8-G6275-10	.SPRING, CLUTCH 1	1	
12	JW8-G5677-00	.WASHER	1	
13	90209-08013	WASHER	1	
14	90105-08260	BOLT, FLANGE	1	
15	JW8-G5697-20	COLLAR	1	

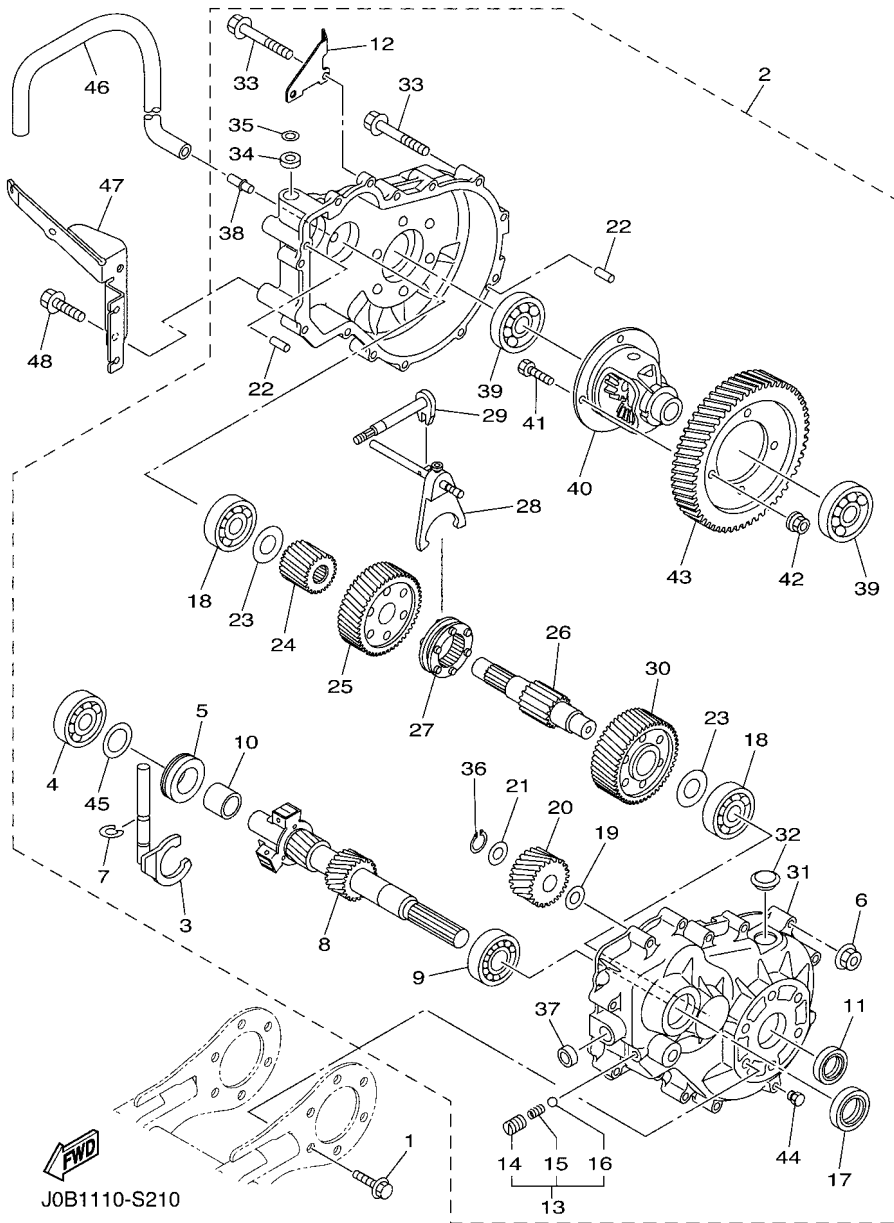


FIG. 22 TRANSMISSION

REF. NO.	PART NO.	DESCRIPTION	JOB	REMARKS
1	95812-10020	BOLT, FLANGE	6	
2	J0D-G6301-00	TRANSMISSION ASSY	1	
3	J0B-G633E-00	.BAR 1	1	
4	93306-303Y6	.BEARING	1	
5	JW8-E1923-00	.SLEEVE, GOVERNOR	1	
6	J0B-G2391-00	.NUT 1	13	
7	JU0-F722H-00	.RETAINER	1	
8	J0D-G6320-00	.INPUT SHAFT ASSY	1	
9	J0B-G6164-00	.BEARING 1	1	
10	J0B-G3127-00	.COLLAR	1	
11	J0B-G3812-00	.SEAL, DUST	2	
12	J0B-G6555-00	.BRACKET 2	1	
13	JU0-G6376-00	.SPRING SET	1	
14	90113-08803	.BOLT, SET	1	
15	90501-10852	.SPRING, COMPRESSION	1	
16	93500-06826	.BALL	1	
17	93102-25868	.OIL SEAL	1	
18	J0B-G580H-00	.BEARING ASSY	2	
19	90201-208H9	.WASHER, PLATE	1	
20	J0B-G6356-00	.GEAR, IDLER	1	
21	90201-208J0	.WASHER, PLATE	1	
22	93606-10842	.PIN, DOWEL	2	
23	J0B-G1297-00	.WASHER, 1	2	
24	J0B-G6316-00	.GEAR, PINION 1	1	
25	J0B-G6326-00	.GEAR, WHEEL 1	1	
26	J0B-G633G-00	.SHAFT	1	
27	J0B-G6153-00	.COLLAR, GUIDE	1	

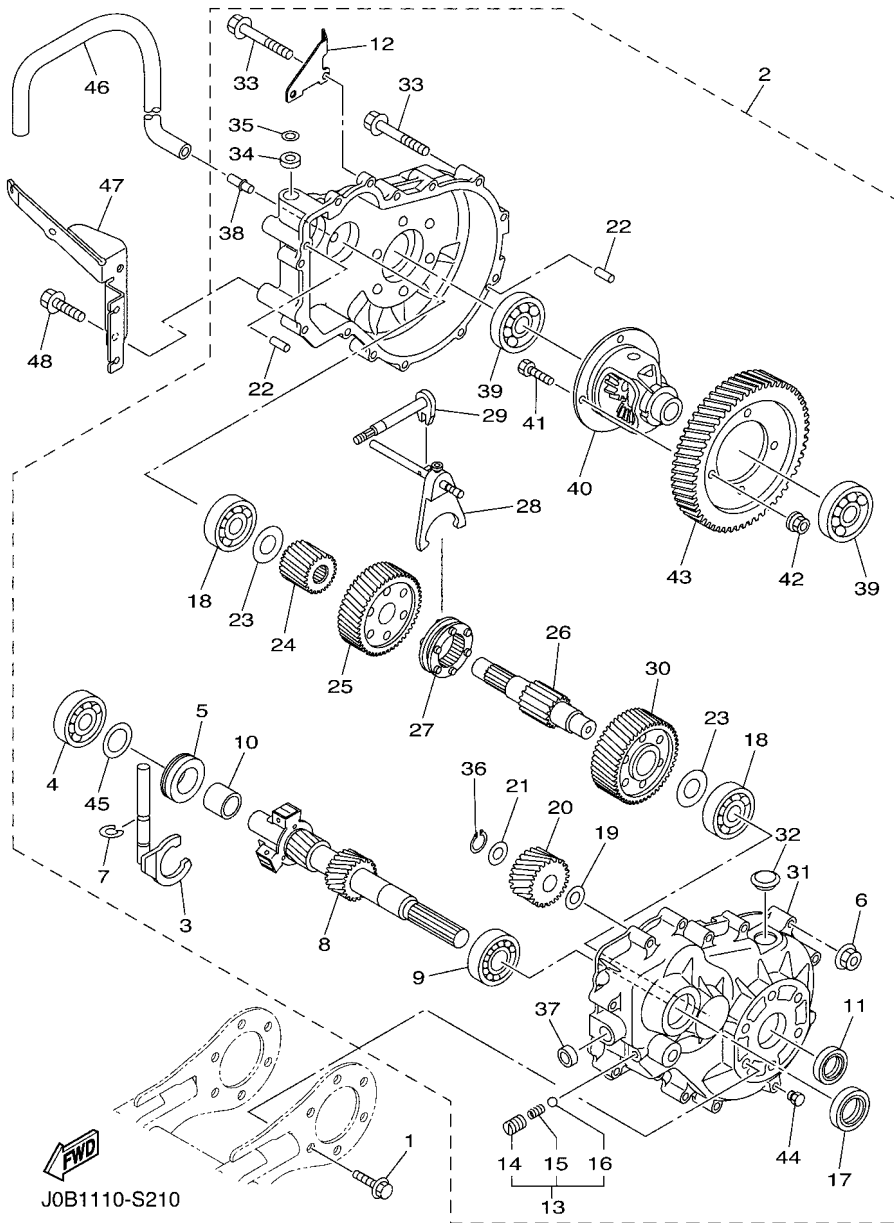
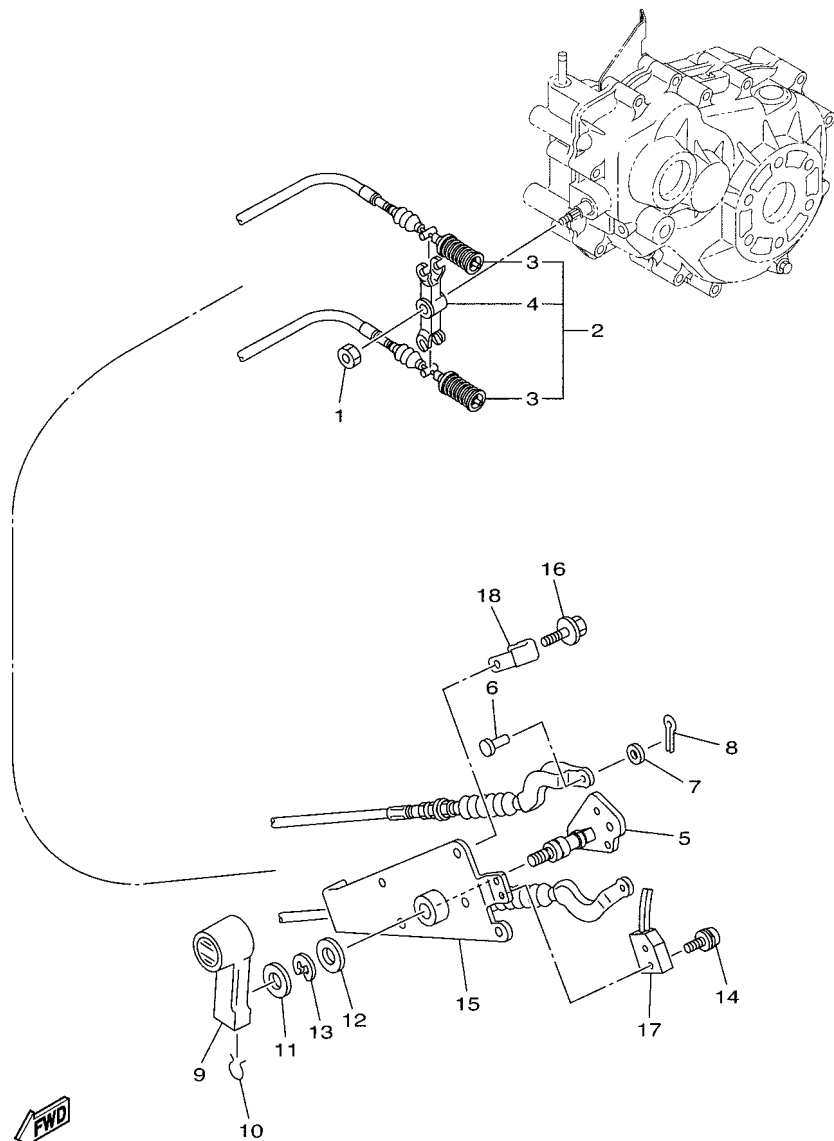


FIG. 22 TRANSMISSION

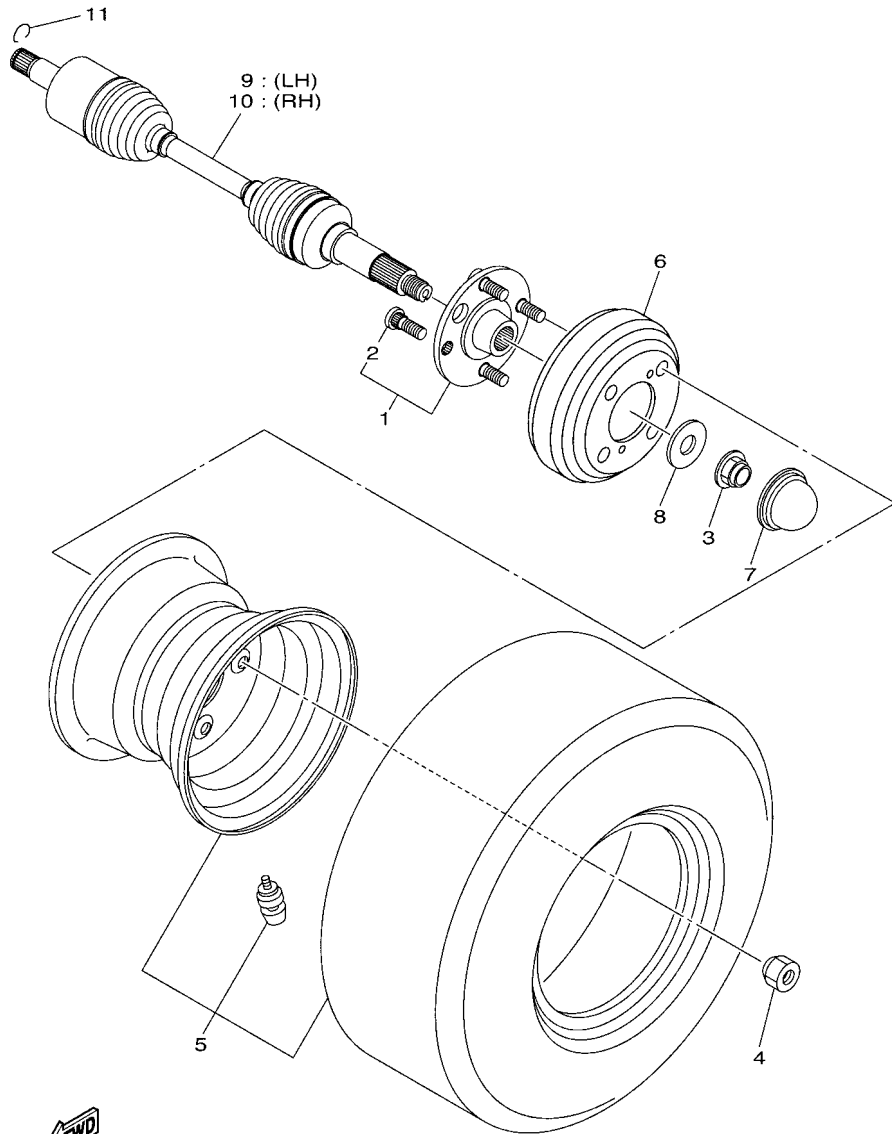
REF. NO.	PART NO.	DESCRIPTION	JOB#				REMARKS
28	J0B-G638E-00	.BAR, SHIFT 2	1				
29	J0B-G638A-00	.BAR, SHIFT 1	1				
30	J0D-G6327-00	.GEAR, WHEEL 2	1				
31	J0B-G6314-00	.COVER, TRANSMISSION	1				
32	JN3-G6432-00	.STOPPER	1				
33	J0B-G1148-00	.BOLT	13				
34	93109-10820	.OIL SEAL	1				
35	JU0-F723F-00	.WASHER, SPECIAL	1				
36	JW8-F47E3-00	.CIRCLIP	1				
37	93104-11829	.OIL SEAL	1				
38	JW8-G5378-00	.NIPPLE, HOSE	1				
39	93306-007Y0	.BEARING	2				
40	J0B-G6410-00	.DIFFERENTIAL ASSY.	1				
41	JC1-G2544-00	.BOLT	4				
42	90170-10840	.NUT	4				
43	J0B-G6355-00	.GEAR, PRIMARY	1				
44	J0B-G5148-00	.PLUG, DRAIN	1				
45	JN3-G6344-00	.SHIM, 0.76MM (0.030IN)	1				
46	JW8-G2541-00	PIPE 1	1				
47	J0B-G6556-00	BRACKET 3	1				
48	90105-08867	BOLT, FLANGE	2				

FIG. 23 SHIFTER & CABLES



J0B1110-S220

REF. NO.	PART NO.	DESCRIPTION	J0B3				REMARKS
1	95602-08100	NUT, U	1				
2	J0B-G8330-00	CABLE END ASSY	1				
3	J0B-G6371-00	.WIRE, SHIFT	2				
4	JW8-G6383-10	.LEVER, SHIFT 2	1				
5	J0B-G6382-00	LEVER, SHIFT 1	1				
6	91702-06014	PIN, CLEVIS	2				
7	92902-06600	WASHER, PLATE	2				
8	91402-20012	PIN, COTTER	2				
9	JN3-G6381-00	KNOB, SHIFT	1				
10	JN3-G6376-00	SPRING SET	1				
11	90201-208S8	WASHER, PLATE	1				
12	90201-198S7	WASHER, PLATE	1				
13	99009-19400	CIRCLIP	1				
14	97602-04316	SCREW, PAN HEAD WITH WASHER	2				
15	J0B-G6372-10	BRACKET, SHIFT WIRE	1				
16	90105-06831	BOLT, FLANGE	3				
17	JN3-82617-01	SWITCH	1				
18	90465-06038	CLAMP	1				

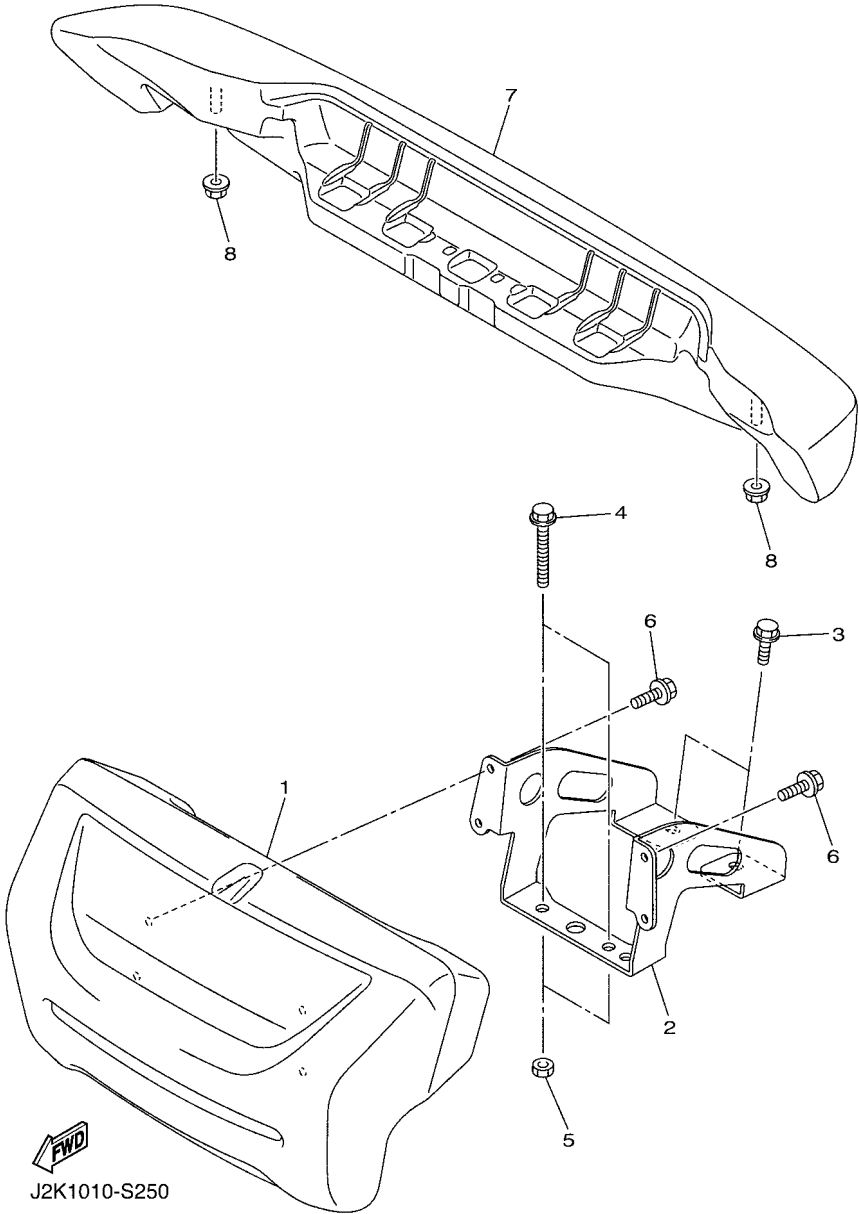


J0D1100-S240

FIG. 24 REAR AXLE & WHEEL

REF. NO.	PART NO.	DESCRIPTION	J0D3				REMARKS
1	J0B-F5310-10	HUB ASSY	2				
2	90114-12006	.BOLT, SERRATION	4				
3	90179-20016	NUT	2				
4	90179-12262	NUT	8				
5	JC1-F5100-01	WHEEL ASSY (205/65-10 4P)	2				
6	JW3-G6521-00	DRUM	2				
7	JW8-F5118-00	COVER, HUB DUST	2				
8	90201-20035	WASHER, PLATE	2				
9	J0B-F518F-00	DRIVE SHAFT ASSY	1				
10	J0B-F518G-00	DRIVE SHAFT ASSY	1				
11	93450-22119	CIRCLIP	2				

FIG. 25 BUMPER



REF. NO.	PART NO.	DESCRIPTION	JOB	REMARKS
1	J0B-K7510-01	FRONT BUMPER COMP.	1	
2	J0B-K8164-00	STAY, FRONT BUMPER (L.H)	1	
3	95812-08016	BOLT, FLANGE	2	
4	95812-08050	BOLT, FLANGE	2	
5	95302-08700	NUT, HEXAGON	2	
6	95822-06012	BOLT, FLANGE	4	
7	J0B-K7540-00	REAR BUMPER COMP.	1	
8	95602-10200	NUT, S/L FLANGE	2	

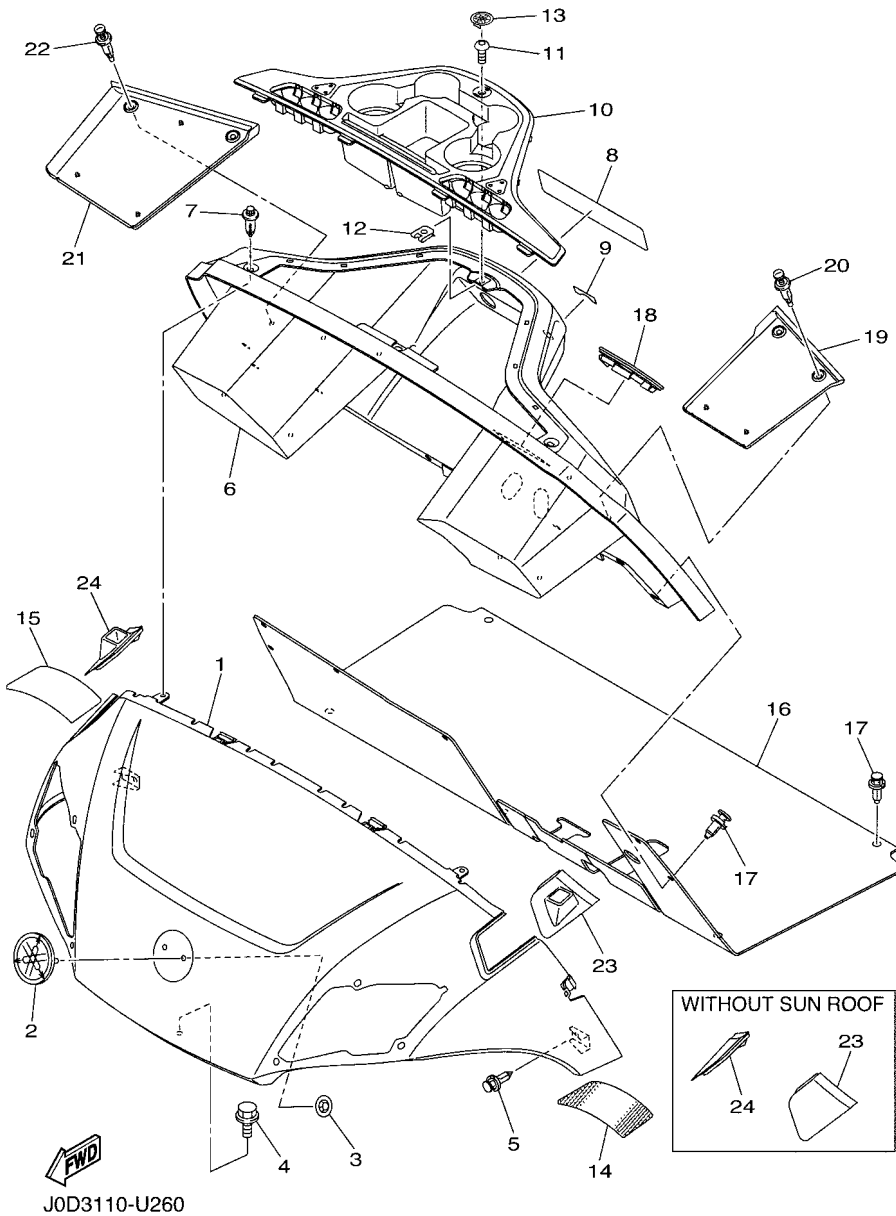


FIG. 26 BODY

REF. NO.	PART NO.	DESCRIPTION	J0D3			REMARKS
1	J0D-K8115-A0	COWL, FRONT	1			UR FOR BW1
	J0D-K8115-00	COWL, FRONT	1			UR FOR DNBME
	J0D-K8115-20	COWL, FRONT	1			UR FOR LNYM8
	J0D-K8115-30	COWL, FRONT	1			UR FOR LNMP
	J0D-K8115-40	COWL, FRONT	1			UR FOR DYNM2
	J0D-K8115-70	COWL, FRONT	1			UR FOR DRMV
	J0D-K8115-80	COWL, FRONT	1			UR FOR BMG
	J0D-K8115-90	COWL, FRONT	1			UR FOR VPBM6
2	J0B-F4161-00	EMBLEM 1	1			
3	JU0-K7573-00	NUT, SPECIAL	2			
4	90105-06831	BOLT, FLANGE	1			
5	90269-06804	RIVET	2			
6	J0D-K8114-01	PANEL, FRONT	1			
7	90269-08001	RIVET	3			
8	J0B-K7768-00	LABEL, WARNING 8	1			UR ENGLISH
	J0B-K7768-10	LABEL, WARNING 8	1			UR ENGLISH/FRENCH
	J0B-K7768-20	LABEL, WARNING 8	1			UR GERMAN/SPANISH
9	J0D-K8282-00	PLATE, SWITCH PANEL	1			
10	J0B-K835E-00	HOLDER, BEVERAGE	1			
11	90111-05805	BOLT,HEX. SOCKET BUTTON	1			
12	90183-05008	NUT, SPRING	1			
13	J0B-H2370-00	PLUG CAP ASSY	1			
14	J0D-H333B-00	REFLECTOR 1	1			
15	J0D-H334B-00	REFLECTOR, 2	1			
16	J0D-K8233-00	MAT, MAIN FLOOR 3	1			
17	90269-09003	RIVET	12			
18	J0B-K8273-10	COVER, HOLE	1			

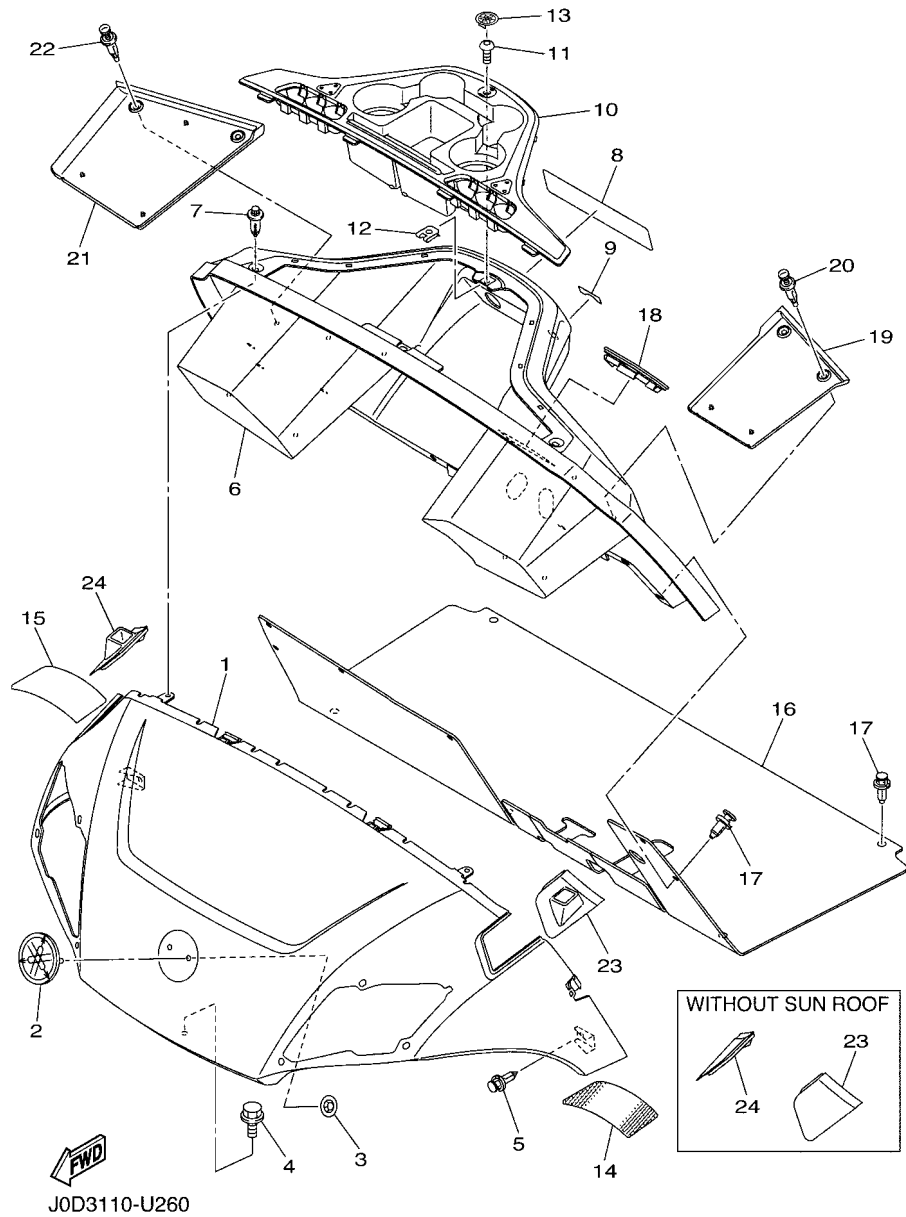


FIG. 26 BODY

REF. NO.	PART NO.	DESCRIPTION	J0D3				REMARKS
19	J0B-K8243-00	MAT, REAR BODY SIDE (LH)	1				
20	90269-07805	RIVET	2				
21	J0B-K8244-00	MAT, REAR BODY SIDE (RH)	1				
22	90269-07805	RIVET	2				
23	J1B-K832F-00	GROMMET, ROOF SUPPORT 1	1				WITH SUN ROOF
	J0B-K832F-00	GROMMET, ROOF SUPPORT 1	1				WITHOUT SUN ROOF
24	J1B-K832G-00	GROMMET, ROOF SUPPORT 2	1				WITH SUN ROOF
	J0B-K832G-00	GROMMET, ROOF SUPPORT 2	1				WITHOUT SUN ROOF

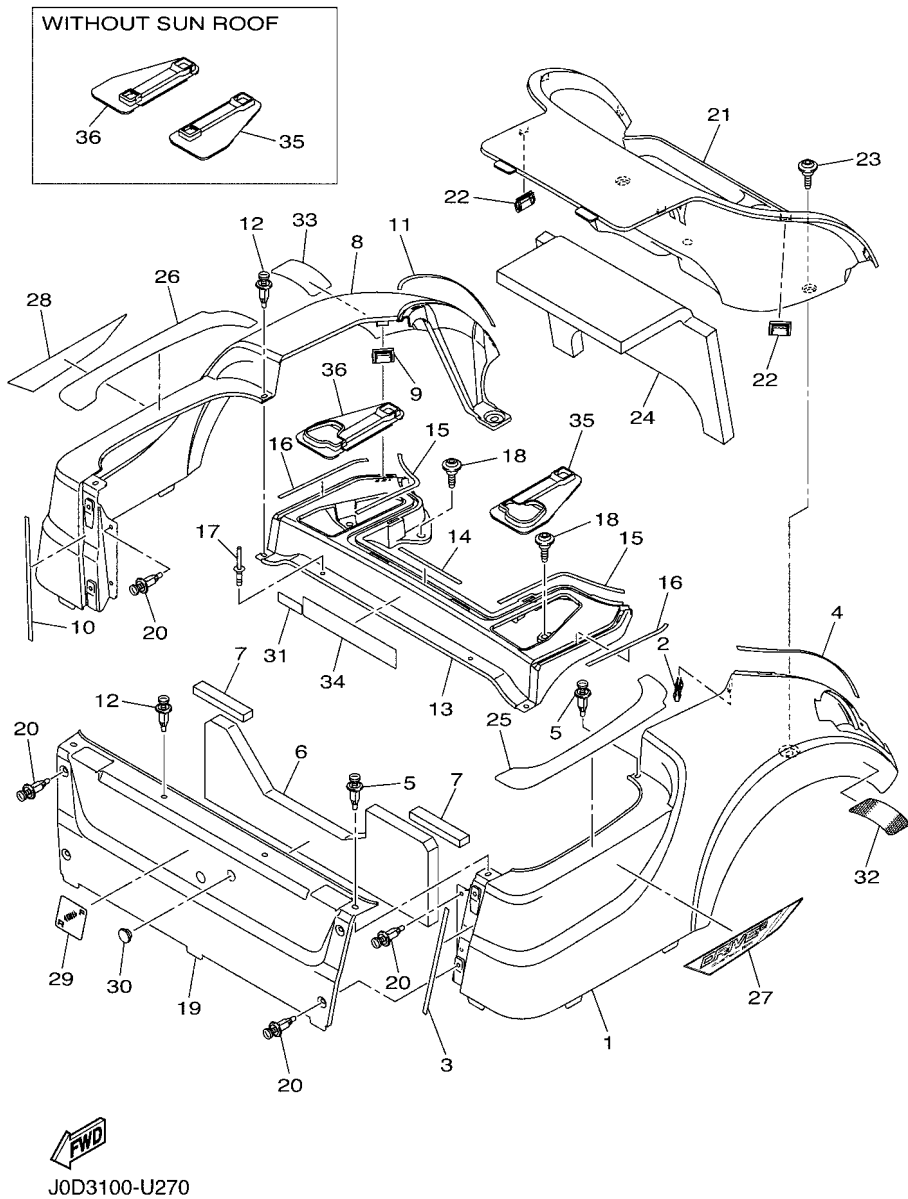


FIG. 27 BODY 2

REF. NO.	PART NO.	DESCRIPTION	J0D3	REMARKS
1	J0D-K8111-A0	PANEL, BODY SHELL	1	UR FOR BW1
	J0D-K8111-00	PANEL, BODY SHELL	1	UR FOR DNBME
	J0D-K8111-20	PANEL, BODY SHELL	1	UR FOR LNYM8
	J0D-K8111-30	PANEL, BODY SHELL	1	UR FOR LNMP
	J0D-K8111-40	PANEL, BODY SHELL	1	UR FOR DYNM2
	J0D-K8111-70	PANEL, BODY SHELL	1	UR FOR DRMV
	J0D-K8111-80	PANEL, BODY SHELL	1	UR FOR BMG
	J0D-K8111-90	PANEL, BODY SHELL	1	UR FOR VPBM6
2	J0B-F3447-00	CLIP	1	
3	J0B-K814E-00	SEAL, BODY SIDE 1	1	
4	J0B-K814F-00	SEAL, BODY SIDE 2	1	
5	90269-07805	RIVET	3	
6	J0B-K8251-00	PAD, SILENCER 1	1	
7	J0D-K825G-00	PAD, SILENCER 13	2	
8	J0D-K8112-A0	PANEL, BODY SHELL	1	UR FOR BW1
	J0D-K8112-00	PANEL, BODY SHELL	1	UR FOR DNBME
	J0D-K8112-20	PANEL, BODY SHELL	1	UR FOR LNYM8
	J0D-K8112-30	PANEL, BODY SHELL	1	UR FOR LNMP
	J0D-K8112-40	PANEL, BODY SHELL	1	UR FOR DYNM2
	J0D-K8112-70	PANEL, BODY SHELL	1	UR FOR DRMV
	J0D-K8112-80	PANEL, BODY SHELL	1	UR FOR BMG
	J0D-K8112-90	PANEL, BODY SHELL	1	UR FOR VPBM6
9	J0B-F3447-00	CLIP	1	
10	J0B-K814E-00	SEAL, BODY SIDE 1	1	
11	J0B-K814F-00	SEAL, BODY SIDE 2	1	
12	90269-07805	RIVET	3	
13	J0B-K819H-00	SHELL, REAR BODY	1	

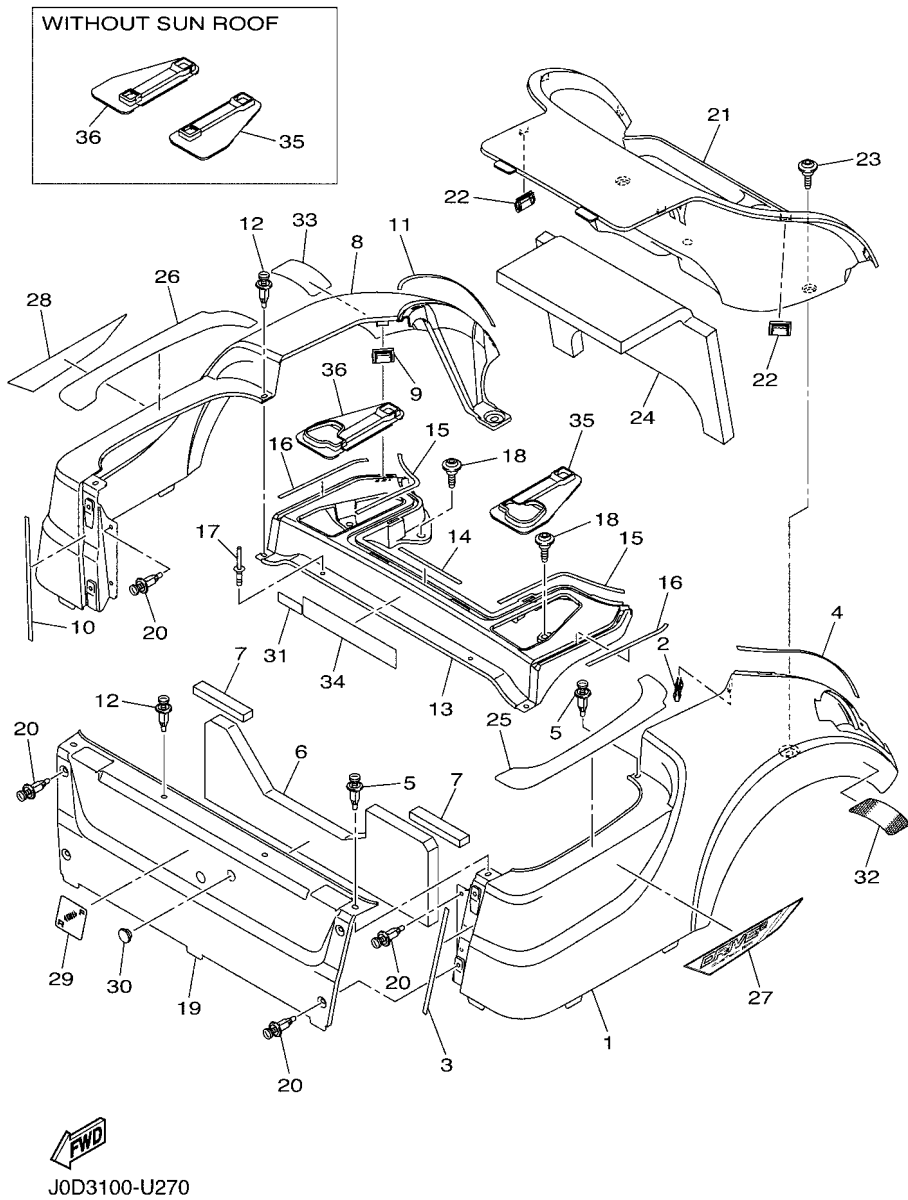
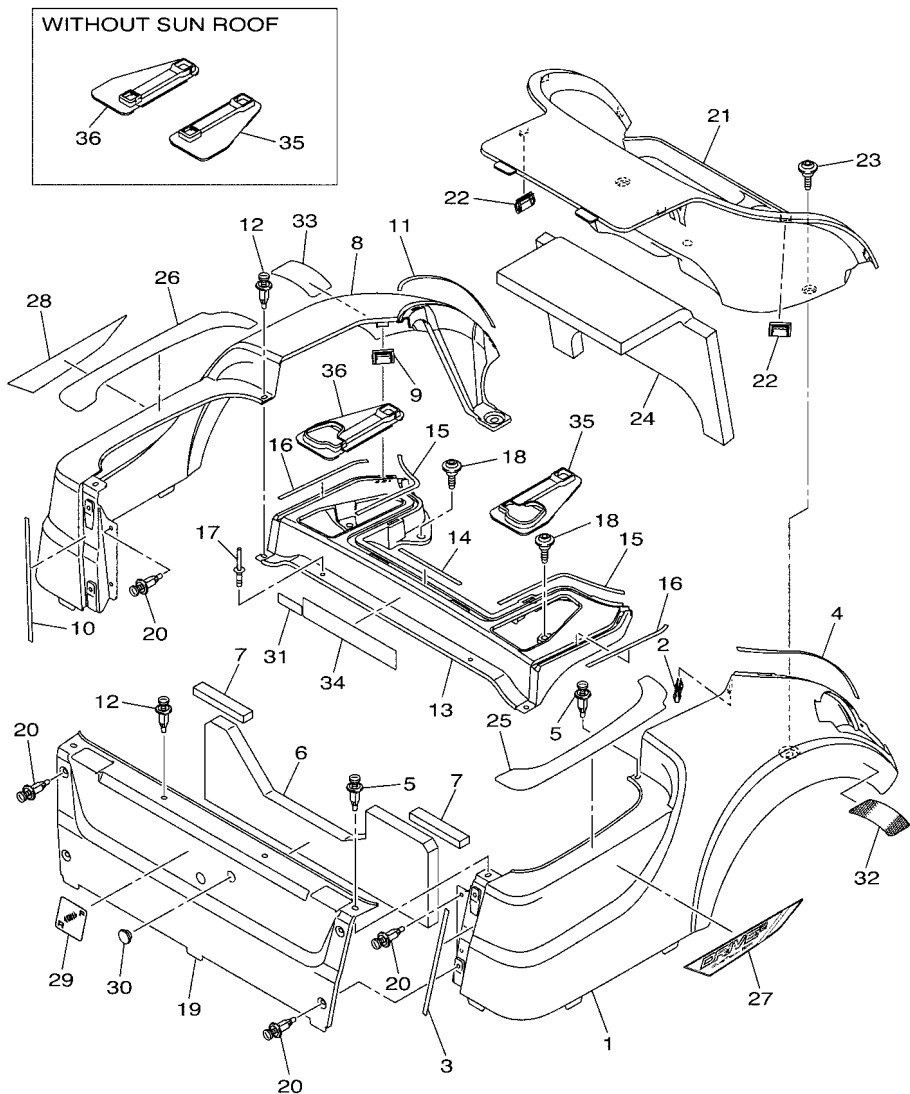


FIG. 27 BODY 2

REF. NO.	PART NO.	DESCRIPTION	J0D3	REMARKS
14	J0B-K814R-00	SEAL, BODY SIDE 3	1	
15	J0B-K814T-00	SEAL, BODY SIDE 4	2	
16	J0B-K814U-00	SEAL, BODY SIDE	2	
17	JW7-K7329-00	RIVET	2	
18	J0B-F1738-00	BOLT	4	
19	J0B-K8141-A0	PANEL, INTERMEDIATE BODY	1	UR FOR BW1
	J0B-K8141-00	PANEL, INTERMEDIATE BODY	1	UR FOR DNBME
	J0B-K8141-20	PANEL, INTERMEDIATE BODY	1	UR FOR LNYM8
	J0B-K8141-30	PANEL, INTERMEDIATE BODY	1	UR FOR LNMP
	J0B-K8141-40	PANEL, INTERMEDIATE BODY	1	UR FOR DYNM2
	J0B-K8141-70	PANEL, INTERMEDIATE BODY	1	UR FOR DRMV
	J0B-K8141-80	PANEL, INTERMEDIATE BODY	1	UR FOR BMG
	J0B-K8141-90	PANEL, INTERMEDIATE BODY	1	UR FOR VPBM6
20	90269-07805	RIVET	8	
21	J0B-K8237-02	COVER, REAR FLOOR	1	FOR 2 BAGS
22	J0B-F3447-00	CLIP	4	
23	J0B-F1738-00	BOLT	2	
24	J0B-K8255-02	PAD, SILENCER 5	1	
25	J0B-F2873-01	SEAL 1	1	
26	J0B-F2874-01	SEAL 2	1	
27	J0D-F1781-00	EMBLEM 1	1	FOR DYNM2, BMG
	J0D-F1781-10	EMBLEM 1	1	EXCEPT DYNM2, BMG
28	J0D-F1782-00	EMBLEM 2	1	FOR DYNM2, BMG
	J0D-F1782-10	EMBLEM 2	1	EXCEPT DYNM2, BMG
29	JW1-K7741-00	INDICATOR 1	1	
30	JR1-K8139-00	CAP, END	1	
31	JN6-H2377-00	LABEL	1	

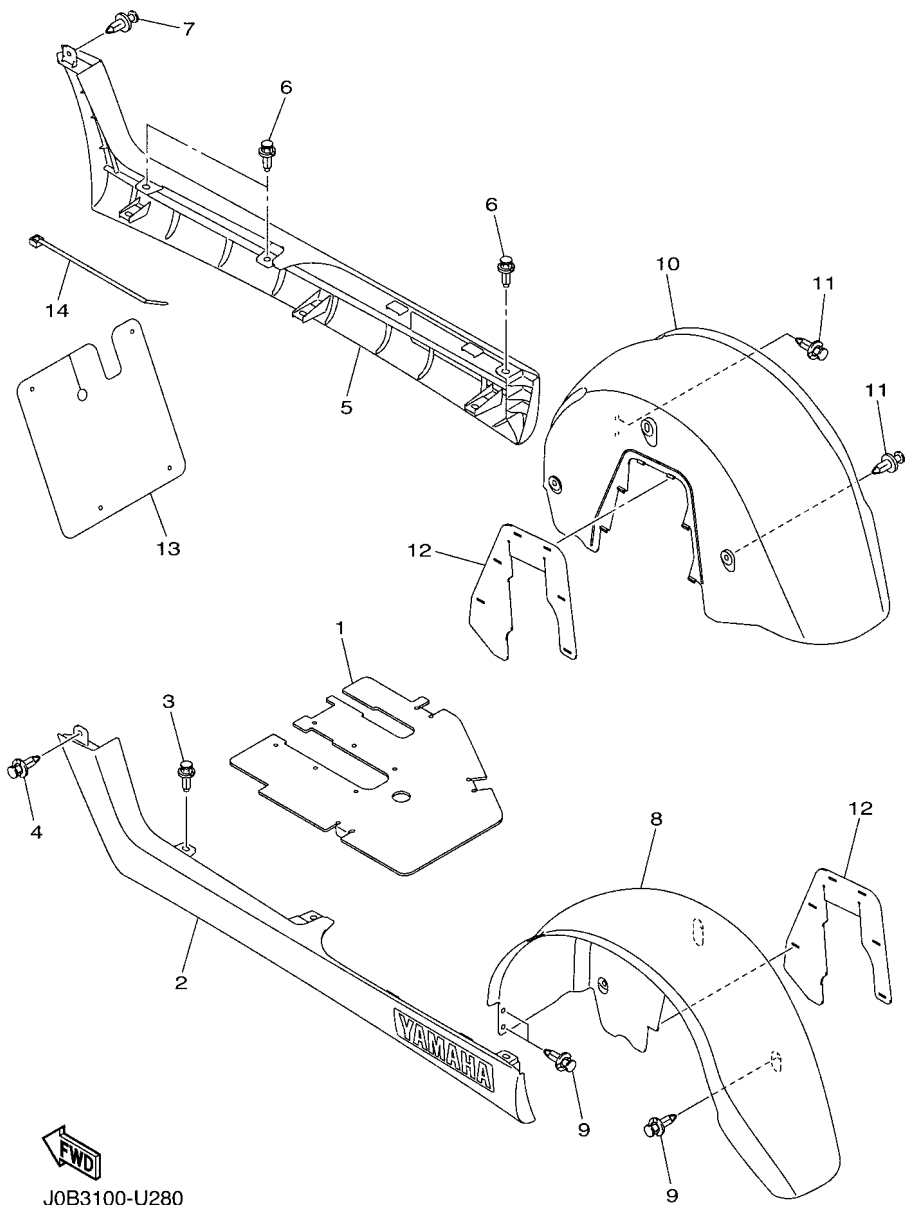
FIG. 27 BODY 2



J0D3100-U270

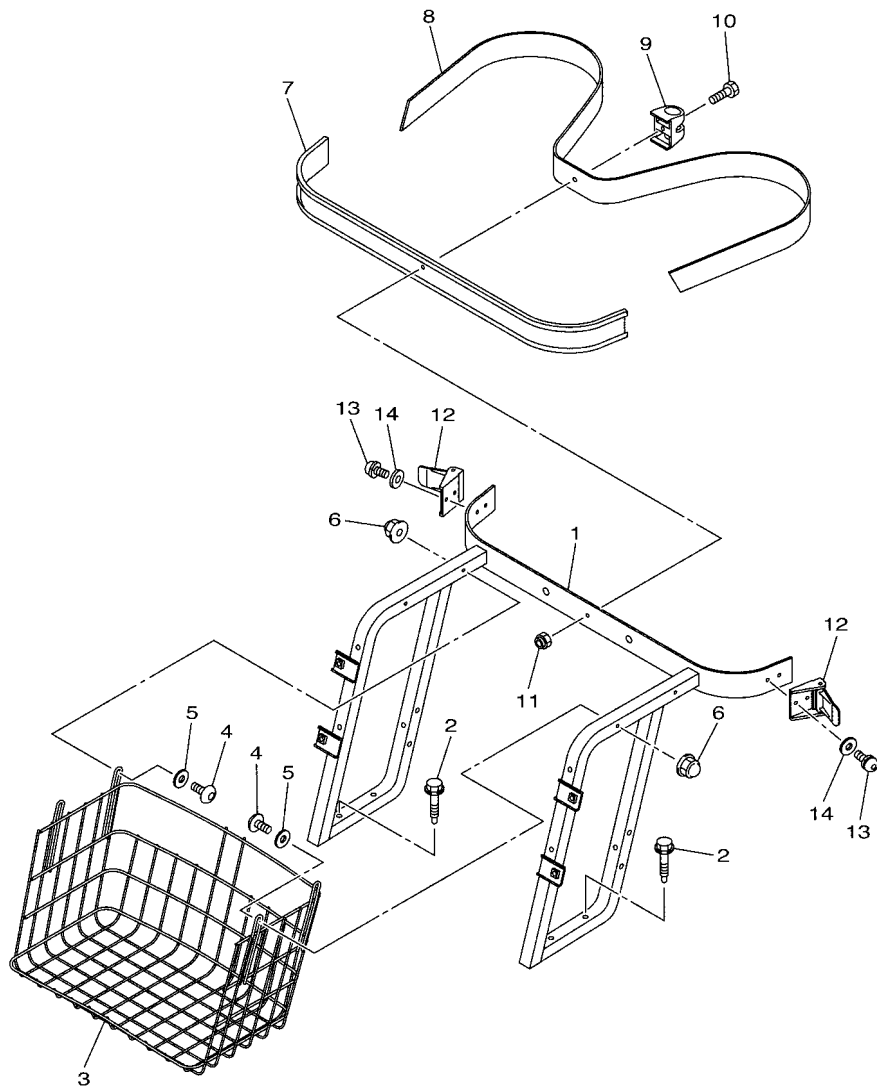
REF. NO.	PART NO.	DESCRIPTION	J0D3	REMARKS
32	J0D-H360G-00	REFLECTOR 3	1	
33	J0D-H360H-00	REFLECTOR 4	1	
34	JW1-K8297-02	PLATE, CAUTION 1	1	UR ENGLISH/FRENCH
	JW1-K8297-11	PLATE, CAUTION 1	1	UR GERMAN/SPANISH
35	J0B-K817H-10	TRIM, SIDE PANEL 1	1	WITH SUN ROOF
	J0B-K817H-00	TRIM, SIDE PANEL 1	1	WITHOUT SUN ROOF
36	J0B-K817J-10	TRIM, SIDE PANEL 2	1	WITH SUN ROOF
	J0B-K817J-00	TRIM, SIDE PANEL 2	1	WITHOUT SUN ROOF

FIG. 28 BODY FITTING



REF. NO.	PART NO.	DESCRIPTION	JOB#				REMARKS
1	J0B-K8271-01	SERVICE LID, PEDAL	1				
2	J0B-K818A-00	PROTECTOR, SIDE PLATE	1				
3	90269-09003	RIVET	3				
4	90269-06804	RIVET	1				
5	J0B-K818B-00	PROTECTOR, SIDE PLATE 2	1				
6	90269-09003	RIVET	3				
7	90269-06804	RIVET	1				
8	J0B-K8191-00	PANEL, REAR FENDER 1	1				
9	90269-06804	RIVET	5				
10	J0B-K8192-00	PANEL, REAR FENDER 2	1				
11	90269-06804	RIVET	5				
12	J0B-K8197-01	FLAP, REAR FENDER	2				
13	J0B-K8187-00	FLAP, FRONT FENDER	1				
14	90464-76800	CLAMP	4				

FIG. 29 CARRIER



J0B1110-S280

REF. NO.	PART NO.	DESCRIPTION	J0B3				REMARKS
1	J0B-K8423-00	SUPPORT, SEAT BACK	1				
2	90109-08178	BOLT	4				
3	JW1-K8340-00	LUGGAGE RACK ASSY., REAR	1				
4	92017-06040	BOLT, BUTTON HEAD	4				
5	J0B-K7389-00	WASHER	4				
6	90176-06008	NUT, CROWN	4				
7	JF2-K8356-00	PAD, BAG SUPPORT	1				
8	JN6-K8355-20	BAND	1				
9	JW1-K834G-00	HOLDER, RAKE SAND	1				
10	9708R-06020	BOLT	1				
11	90185-06836	NUT, SELF-LOCKING	1				
12	JN6-K8380-00	LOCK ASSY	2				
13	90159-06845	SCREW, WITH WASHER	4				
14	9299R-06200	WASHER	4				

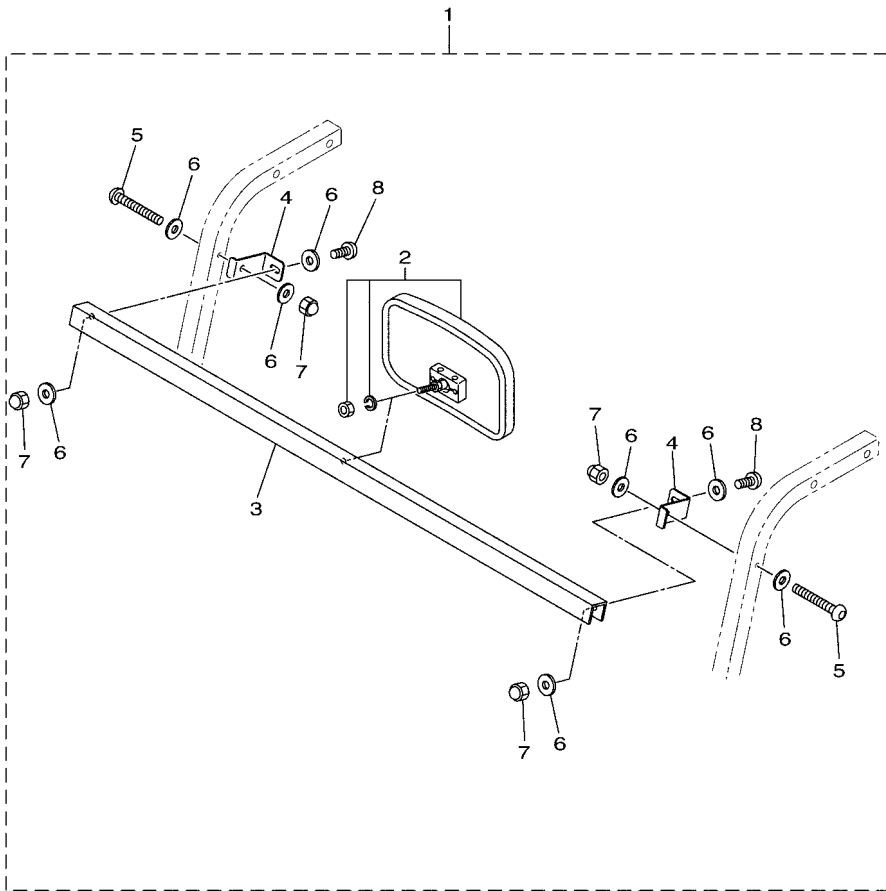


FIG. 30 REAR VIEW MIRROR

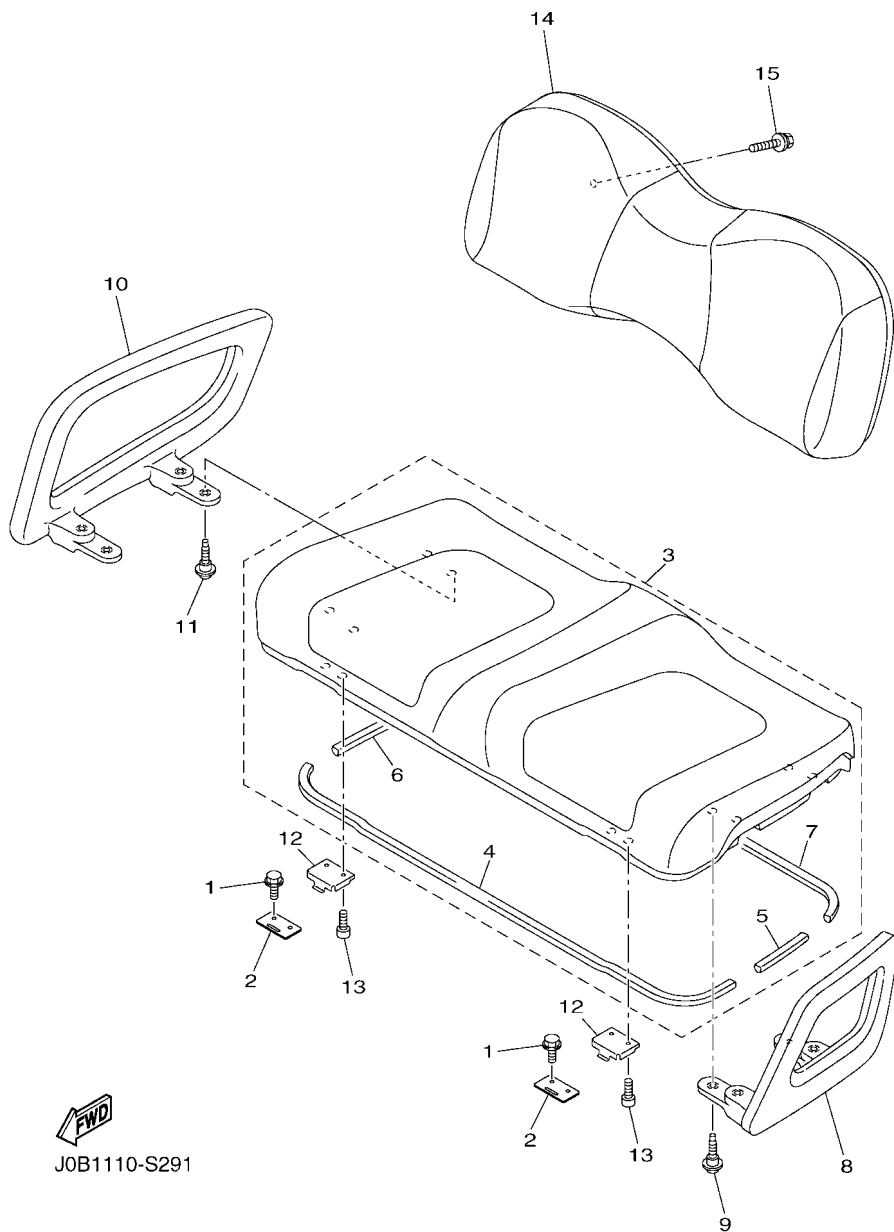
REF. NO.	PART NO.	DESCRIPTION	JOB#				REMARKS
1	JC0-F6280-10	REAR VIEW MIRROR ASSY (LEFT)	1				
2	JC0-F6291-10	.MIRROR	1				
3	JC0-F831W-20	.STAY, MIRROR 1	1				
4	JC0-F834N-20	.BRACKET, MIRROR 1	2				
5	JW1-K7387-20	.SCREW	2				
6	JC0-K7178-00	.WASHER 1	8				
7	JW1-K7217-10	.NUT, WIND SHIELD	4				
8	JC0-K7212-10	.BOLT, WIND SHIELD	2				



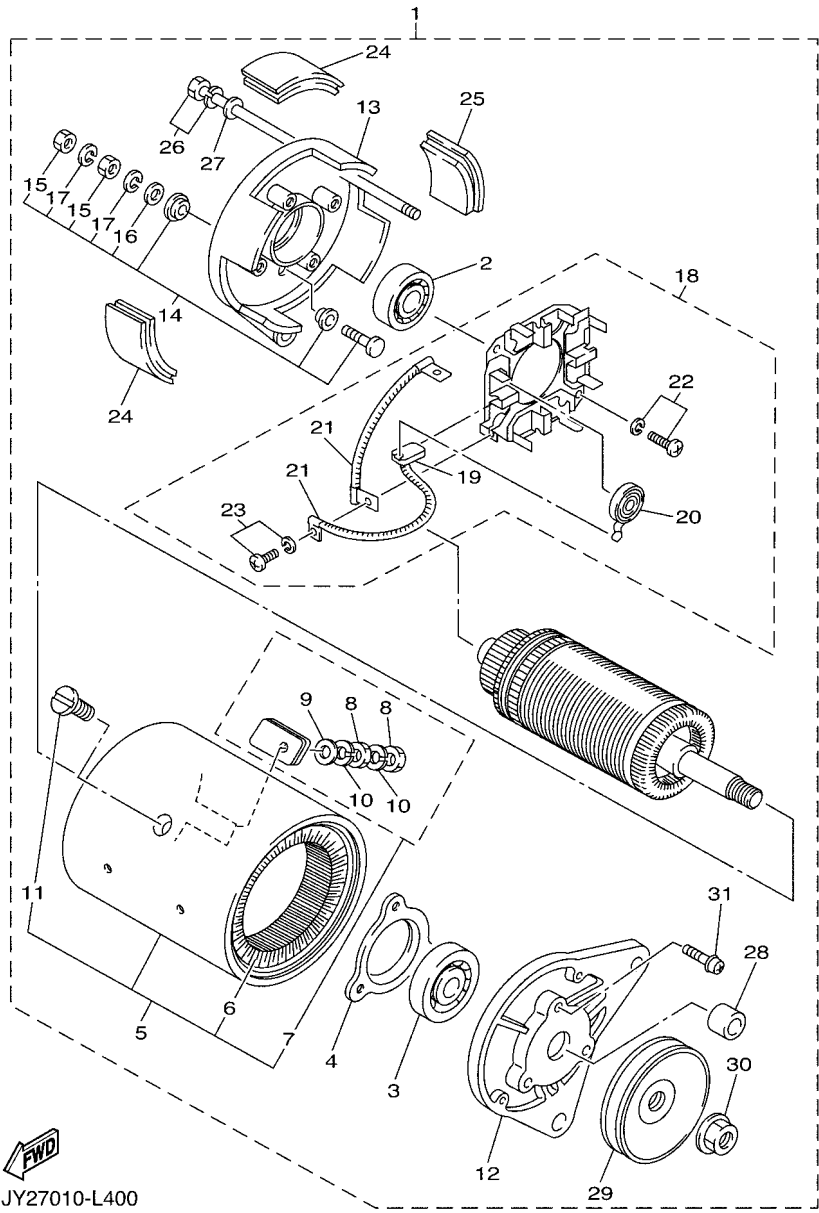
JC17100-P150

FIG. 31 SEAT

REF. NO.	PART NO.	DESCRIPTION	JOB#				REMARKS
1	JW9-H1674-00	BOLT	4				
2	J0B-K8427-00	HINGE, SEAT 2	2				
3	J0B-K8401-00	SEAT SUB-ASSY,CUSHION	1				
4	J0B-K8245-00	.SEAL 1	1				
5	J0B-K8246-00	.SEAL 2	1				
6	J0B-K8247-00	.SEAL 3	1				
7	J0B-K8248-00	.SEAL 4	1				
8	J0B-K8361-00	ARM REST 1	1				
9	J0B-F1738-00	BOLT	4				
10	J0B-K8362-00	ARM REST 2	1				
11	J0B-F1738-00	BOLT	4				
12	J0B-K8426-10	HINGE, SEAT 1	2				
13	90110-06125	BOLT, HEXAGON SOCKET HEAD	4				
14	JW1-K8402-10	SEAT SUB ASSY, BACK	1				
15	90119-06808	BOLT, WITH WASHER	4				



FWD
J0B1110-S291



JY27010-L400

FIG. 32 STARTING MOTOR

REF. NO.	PART NO.	DESCRIPTION	QTY	REMARKS
1	JN6-H1100-04	STARTER GENERATOR ASSY	1	
2	J10-H1157-10	.BEARING 1	1	
3	J10-H1158-10	.BEARING 2	1	
4	J10-81159-10	.HOLDER, BEARING	1	
5	JN6-H1110-10	.STATOR ASSY	1	
6	JN6-H1160-10	..FIELD COIL ASSY	1	
7	J10-81148-10	..SCREW SET 4	2	
8	9530N-06600	...NUT, HEX	2	
9	9290N-06600	...WASHER	1	
10	92907-06100	...WASHER, SPRING	2	
11	J10-81146-10	..SCREW 2	4	
12	JN6-H1165-00	.BRACKET, STARTER GENERATOR 1	1	
13	J10-H1166-10	.BRACKET, STARTER GENERATOR 2	1	
14	J10-81147-10	.SCREW SET 3	2	
15	9530N-06600	..NUT, HEX	2	
16	9290N-06600	..WASHER	1	
17	92907-06100	..WASHER, SPRING	2	
18	JN6-H1119-00	.BRUSH HOLDER ASSY	1	
19	JF2-H1111-00	..BRUSH	4	
20	JN6-H1113-00	..SPRING, BRUSH	4	
21	J10-81115-10	..WIRE, LEAD	2	
22	9850N-05016	..SCREW, PAN HEAD	2	
23	9850N-04010	..SCREW, PAN HEAD	4	
24	J10-81129-10	.COVER, BRUSH	3	
25	J10-81139-10	.COVER, BRUSH 2	1	
26	J10-H1145-10	..SCREW 1	2	
27	9290N-06600	..WASHER	2	

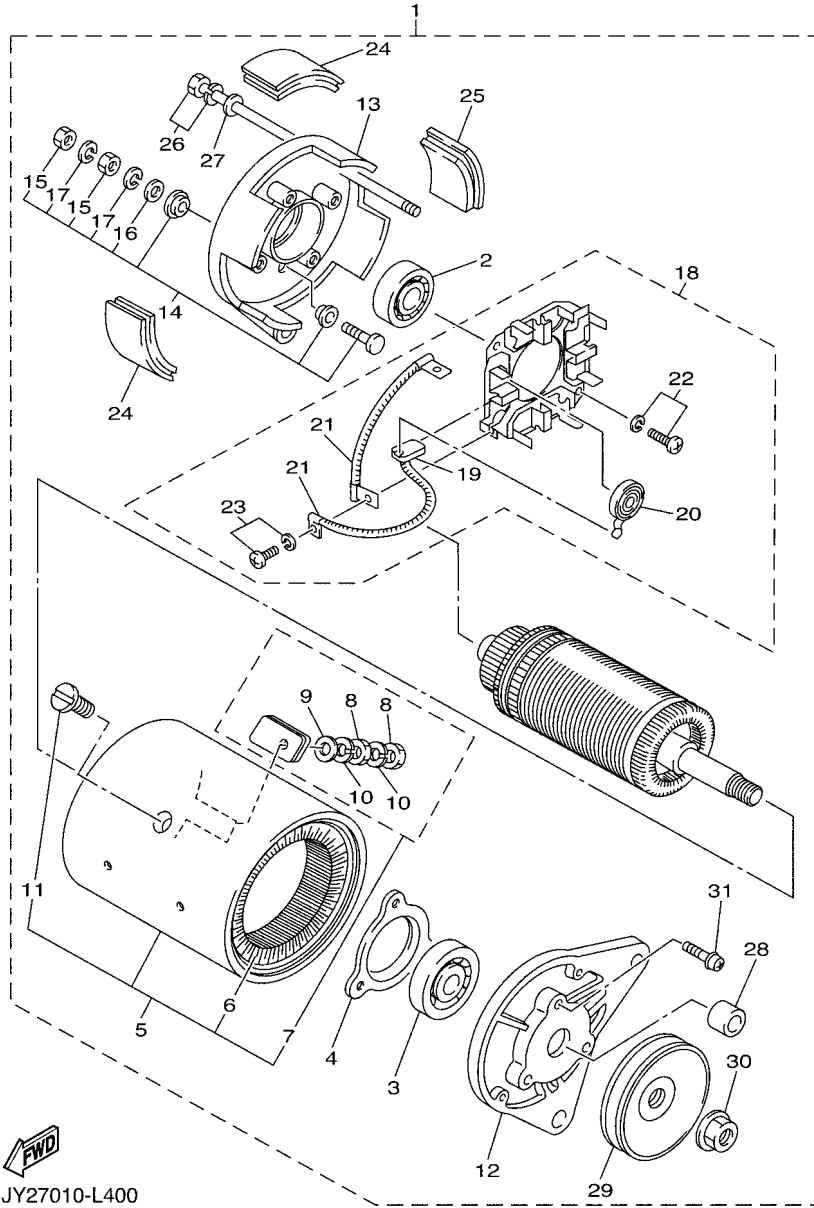
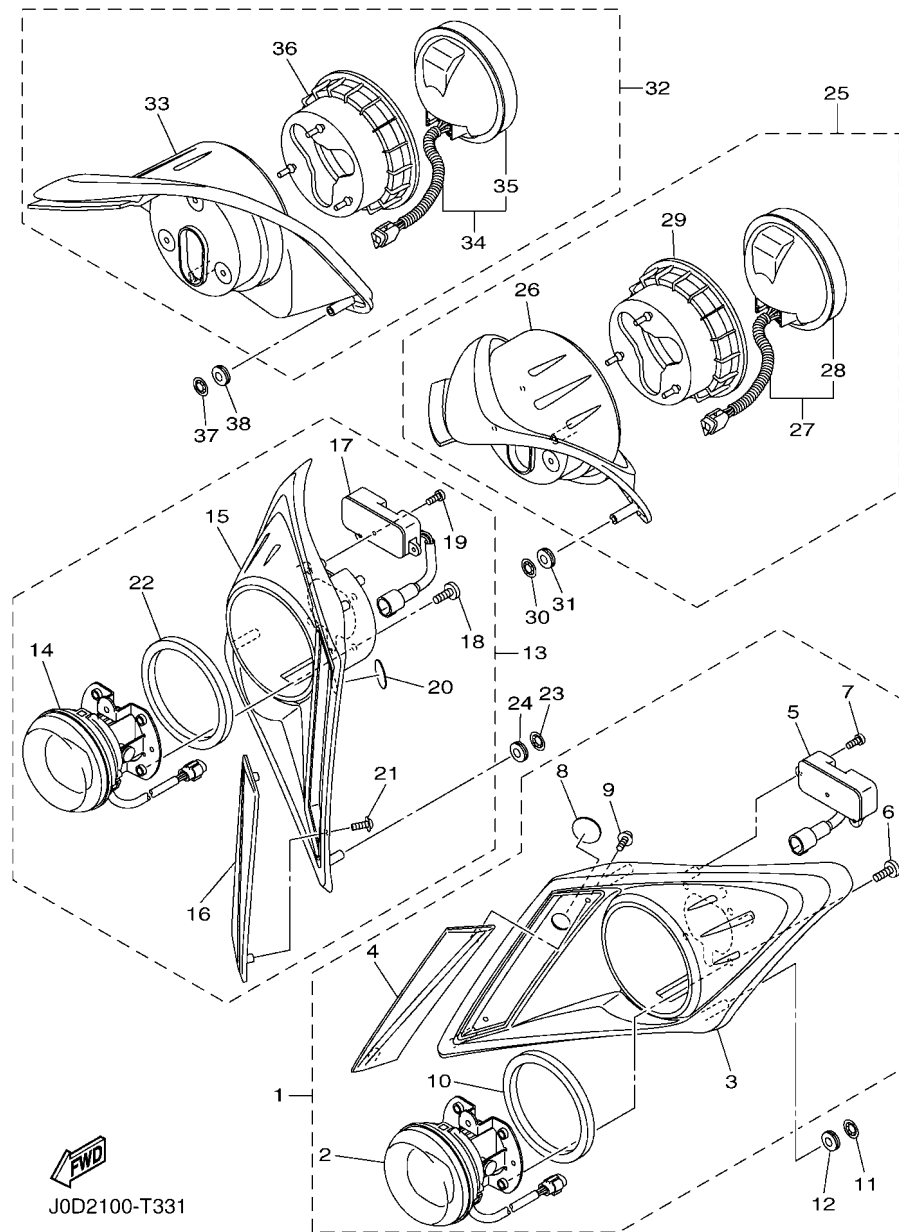


FIG. 32 STARTING MOTOR

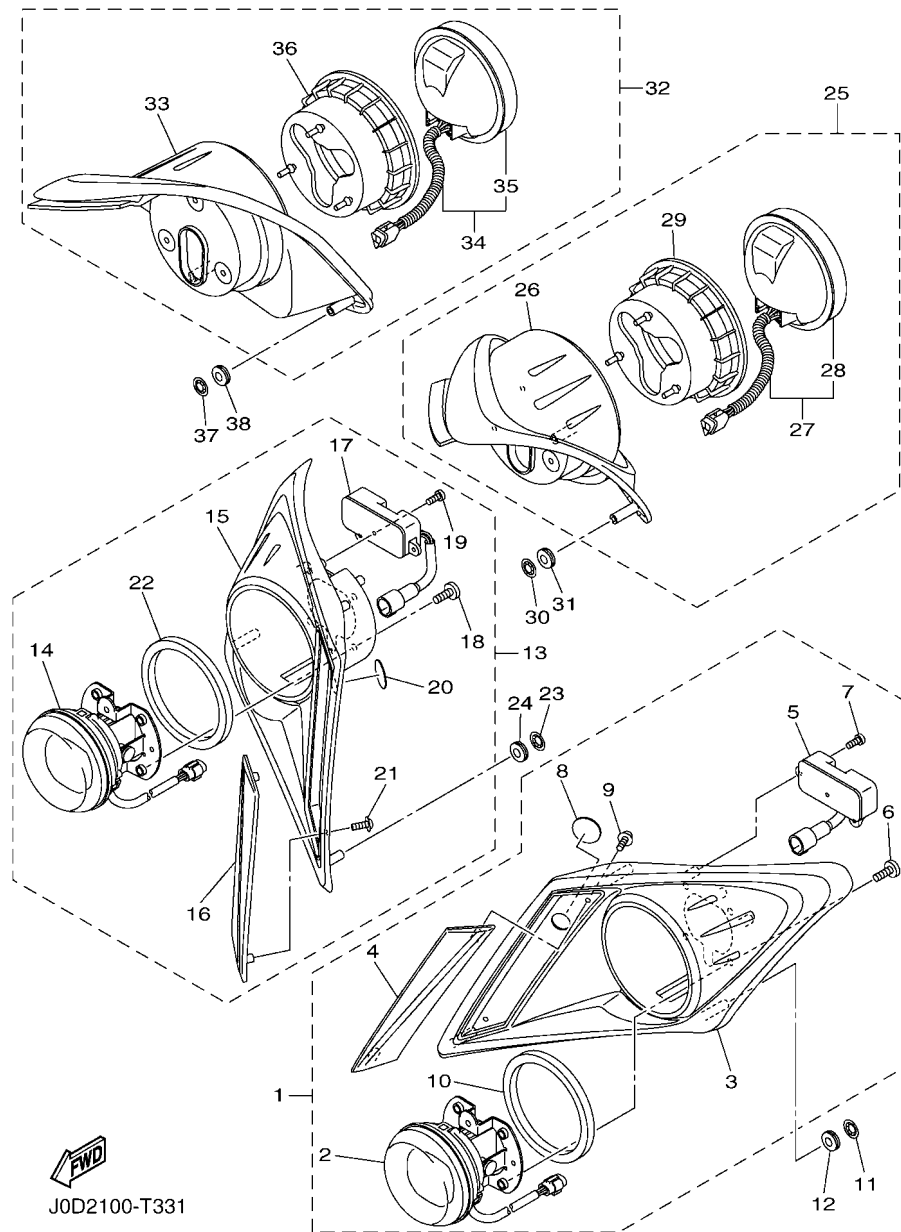
REF. NO.	PART NO.	DESCRIPTION	JOB				REMARKS
28	JN3-H1661-00	.SPACER	1				
29	JN6-H1161-00	.PULLEY	1				
30	90179-16889	.NUT	1				
31	9850N-05018	.SCREW, PAN HEAD	3				



J0D2100-T331

FIG. 33 HEAD & TAIL LIGHT

REF. NO.	PART NO.	DESCRIPTION	J0D3				REMARKS
1	J0D-H4110-01	HEADLIGHT UNIT ASSY	1				
2	J0D-H4300-00	.HEADLIGHT ASSY	1				
3	J0D-H411T-00	.HOLDER, 1	1				
4	J0D-H4385-00	.CAP,1	1				
5	J0D-H5490-01	.LIGHT CONTROL UNIT	1				
6	J0D-H4526-00	.SCREW	4				
7	J0D-H4726-00	.SCREW	3				
8	J0D-H3547-00	.COVER, SOCKET	1				
9	J0D-H4524-00	.SCREW, LENS FITTING	2				
10	J0D-H4195-00	.RING, RETAINING	1				
11	90183-08800	NUT, SPRING	3				
12	90480-13016	GROMMET	3				
13	J0D-H4170-01	HEAD LIGHT UNIT ASSY	1				
14	J0D-H4300-00	.HEADLIGHT ASSY	1				
15	J0D-H411U-00	.HOLDER, 2	1				
16	J0D-H4386-00	.CAP,2	1				
17	J0D-H5490-01	.LIGHT CONTROL UNIT	1				
18	J0D-H4526-00	.SCREW	4				
19	J0D-H4726-00	.SCREW	3				
20	J0D-H3547-00	.COVER, SOCKET	1				
21	J0D-H4524-00	.SCREW, LENS FITTING	2				
22	J0D-H4195-00	.RING, RETAINING	1				
23	90183-08800	NUT, SPRING	3				
24	90480-13016	GROMMET	3				
25	J0D-H4710-00	TAILLIGHT UNIT ASSY	1				
26	J0D-H431U-00	.HOLDER	1				
27	J0D-H4700-00	.TAILLIGHT ASSY	1				

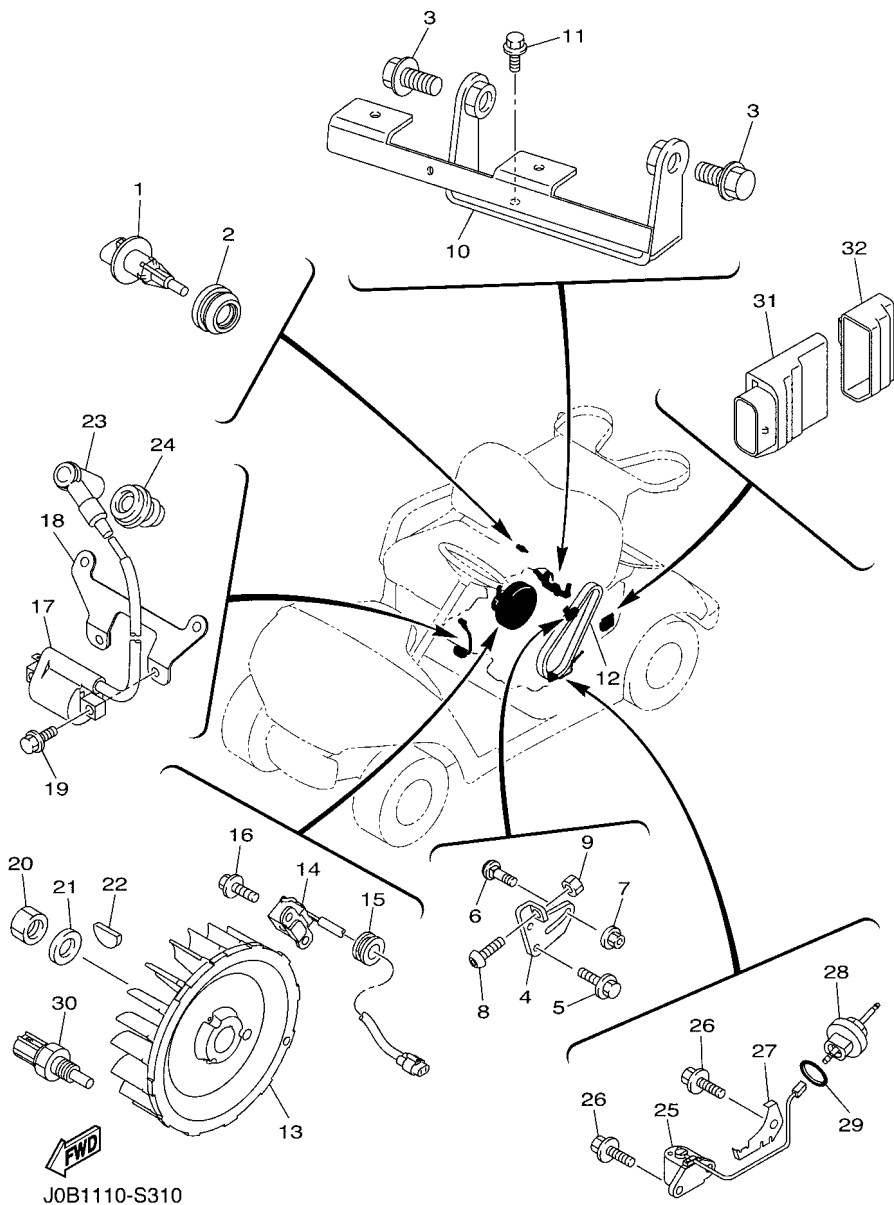


J0D2100-T331

FIG. 33 HEAD & TAIL LIGHT

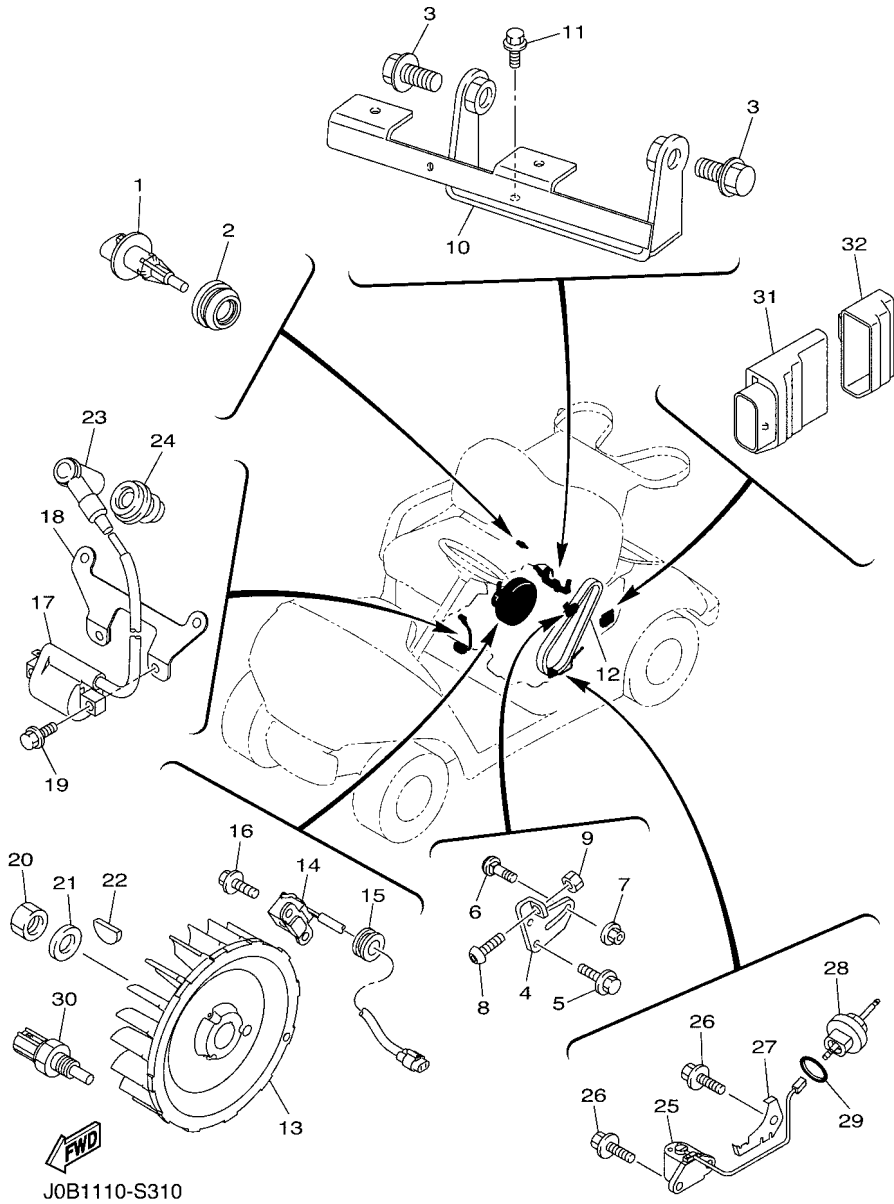
REF. NO.	PART NO.	DESCRIPTION	J0D3	REMARKS
28	JC0-H4514-00	.BULB	1	(12V-7W/27W)
29	J0D-H4718-00	.GROMMET	1	
30	90183-08800	NUT, SPRING	2	
31	90480-13016	GROMMET	2	
32	J0D-H4730-00	TAILLIGHT UNIT ASSY	1	
33	J0D-H4387-00	.HOLDER	1	
34	J0D-H4700-00	.TAILLIGHT ASSY	1	
35	JC0-H4514-00	.BULB	1	(12V-7W/27W)
36	J0D-H4718-00	.GROMMET	1	
37	90183-08800	NUT, SPRING	2	
38	90480-13016	GROMMET	2	

FIG. 34 ELECTRICAL 1



REF. NO.	PART NO.	DESCRIPTION	QTY	REMARKS
1	5CA-85886-00	SENSOR, AIR TEMPRATURE	1	
2	5CA-14435-00	GROMMET	1	
3	95812-12030	BOLT, FLANGE	2	
4	JW1-H1170-11	TENSIONER ASSY	1	
5	95822-08020	BOLT, FLANGE	2	
6	90109-08827	BOLT	1	
7	95702-08500	NUT, FLANGE	1	
8	92012-06030	BOLT, BUTTON HEAD	1	
9	95302-06600	NUT, HEXAGON	1	
10	JN6-H1171-11	BRACKET, STARTER GENERATOR	1	
11	95822-08020	BOLT, FLANGE	2	
12	JW1-H1173-02	BELT	1	
13	JC0-85650-10	ROTOR ASSY	1	
14	JB2-81670-00	PICK-UP ASSY	1	
15	90480-20564	GROMMET	1	
16	95822-06016	BOLT, FLANGE	2	
17	1S4-82310-00	IGNITION COIL ASSY	1	
18	JC0-82316-00	BRACKET, IGNITION COIL	1	
19	95822-06016	BOLT, FLANGE	2	
20	95302-18600	NUT, HEXAGON	1	
21	90201-18620	WASHER, PLATE	1	
22	90280-04052	KEY, WOODRUFF	1	
23	JN6-82370-00	PLUG CAP ASSY	1	
24	JE8-82372-00	SEAL, PLUG CAP	1	
25	JT0-85720-01	OIL LEVEL GAUGE ASSY	1	
26	95822-06012	BOLT, FLANGE	3	
27	JT0-85724-00	CLAMP	1	

FIG. 34 ELECTRICAL 1



REF. NO.	PART NO.	DESCRIPTION	JOB#				REMARKS
28	JT0-15362-00	PLUG, OIL LEVEL	1				
29	93210-15414	O-RING	1				
30	4P9-83591-00	THERMO UNIT	1				
31	J0B-H591A-01	ENGINE CONTROL UNIT ASSY	1				
32	J0B-H5546-00	BAND	1				
<hr/>							
<hr/>							
<hr/>							
<hr/>							
<hr/>							
<hr/>							
<hr/>							
<hr/>							
<hr/>							
<hr/>							

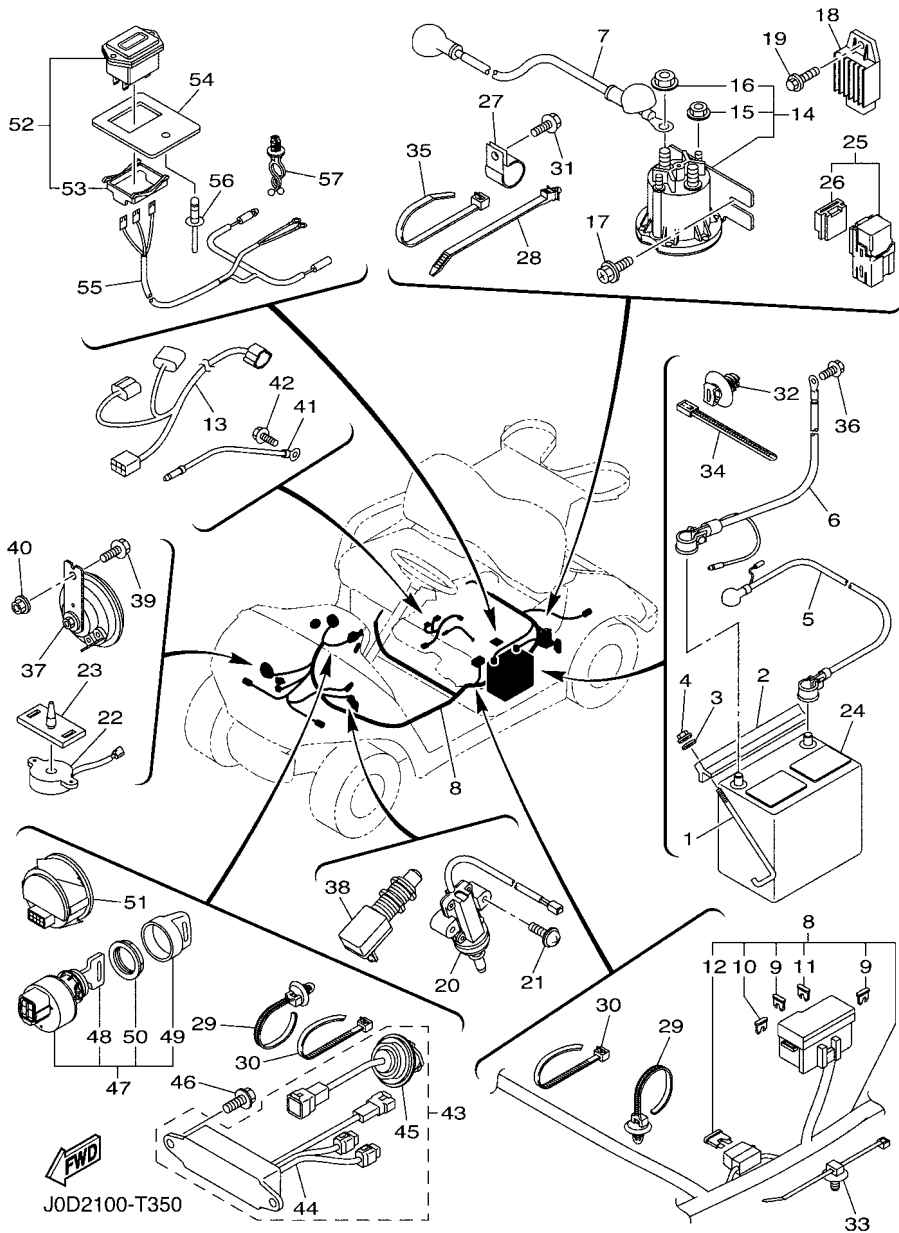


FIG. 35 ELECTRICAL 2

REF. NO.	PART NO.	DESCRIPTION	J0D3	REMARKS
1	JW1-H2133-00	SCREW, FITTING	2	
2	J55-H2136-00	PLATE, BATTERY FITTING	1	
3	92902-06200	WASHER	2	
4	95702-06500	NUT, FLANGE	2	
5	J0B-H2115-00	WIRE, PLUS LEAD	1	
6	J0B-H2116-01	WIRE, MINUS LEAD	1	
7	J0B-H2117-00	WIRE, LEAD	1	
8	J0D-H2590-01	WIRE HARNESS ASSY	1	
9	JW6-H554E-00	.FUSE (10A)	2	
10	JW6-H554E-20	.FUSE (25A)	1	
11	JW6-H554E-10	.FUSE (15A)	1	
12	J0D-H2151-00	.FUSE (5A)	1	
13	J0B-82149-01	WIRE, LEAD 3	1	
14	JW1-H1950-00	RELAY ASSY	1	
15	90179-05807	.NUT	2	
16	90179-08824	.NUT	2	
17	90105-06831	BOLT, FLANGE	2	
18	JF2-81910-11	VOLTAGE REGULATOR ASSY	1	
19	90105-06870	BOLT, FLANGE	1	
20	JF7-82817-22	SWITCH	1	
21	97602-05225	SCREW, PAN HEAD WITH WASHER	2	
22	JR1-H3383-02	BUZZER	1	
23	JN6-H3386-01	STAY, BUZZER	1	
24	*	BATTERY ASSY (GC-24, 12V)	1	LM
25	1TP-81950-00	RELAY ASSY (1TP-00)	1	
26	5EA-81952-00	.HOLDER, RELAY	1	
27	90461-14108	CLAMP	1	

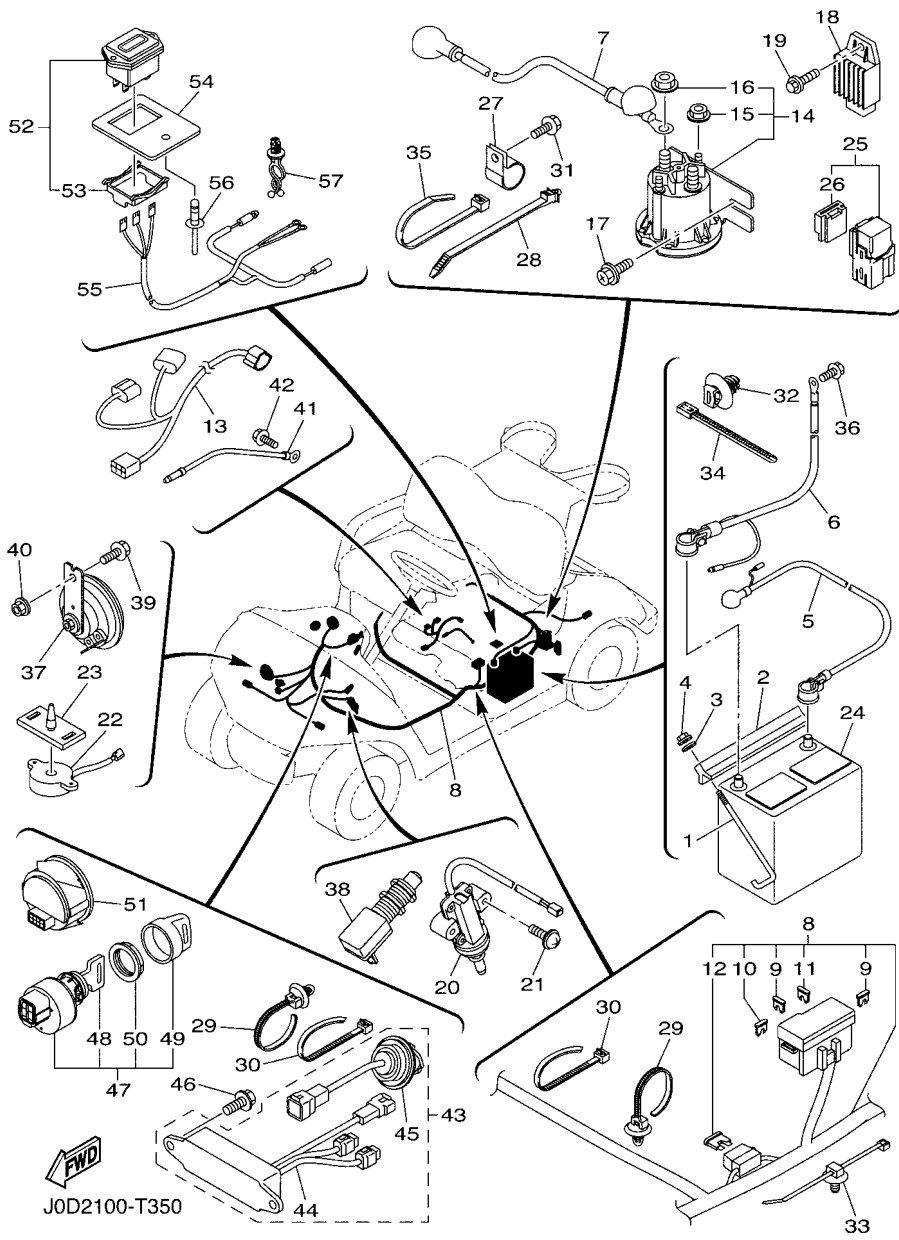


FIG. 35 ELECTRICAL 2

REF. NO.	PART NO.	DESCRIPTION	J0D3				REMARKS
28	90464-09823	CLAMP	1				
29	90464-20005	CLAMP	3				
30	90464-48800	CLAMP	3				
31	90119-06868	BOLT, WITH WASHER	1				
32	5UG-F2465-10	HOLDER	1				
33	1NS-F1338-00	CLAMP	3				
34	90464-40825	CLAMP	2				
35	90464-51800	CLAMP	2				213X7.60
36	90105-08867	BOLT, FLANGE	1				
37	4LR-83371-11	HORN	1				
38	JR6-H270X-00	SWITCH	1				
39	95822-06016	BOLT, FLANGE	1				
40	95702-06500	NUT, FLANGE	1				
41	JC0-82519-00	WIRE, EARTH LEAD	1				
42	95822-06012	BOLT, FLANGE	1				
43	J0D-H21E0-01	USB ASSY	1				
44	J0D-H21E1-00	.PLUG, USB	1				
45	J0D-H21E2-01	.CABLE, USB	2				
46	90119-06868	BOLT, WITH WASHER	2				
47	JW6-H2510-00	MAIN SWITCH ASSY	1				
48	JU6-H2511-10	.KEY, MAIN SWITCH	2				
49	5UG-H2579-00	.CAP, KEY	1				
50	JU6-H2569-00	.NUT, MAIN SWITCH	1				
51	JC0-H351C-10	GAUGE 1	1				
52	JN6-H351C-10	GAUGE 1	1				AP
53	JW1-H1128-00	.CLAMP	1				AP
54	J0B-F4881-00	BRKT., METER	1				AP

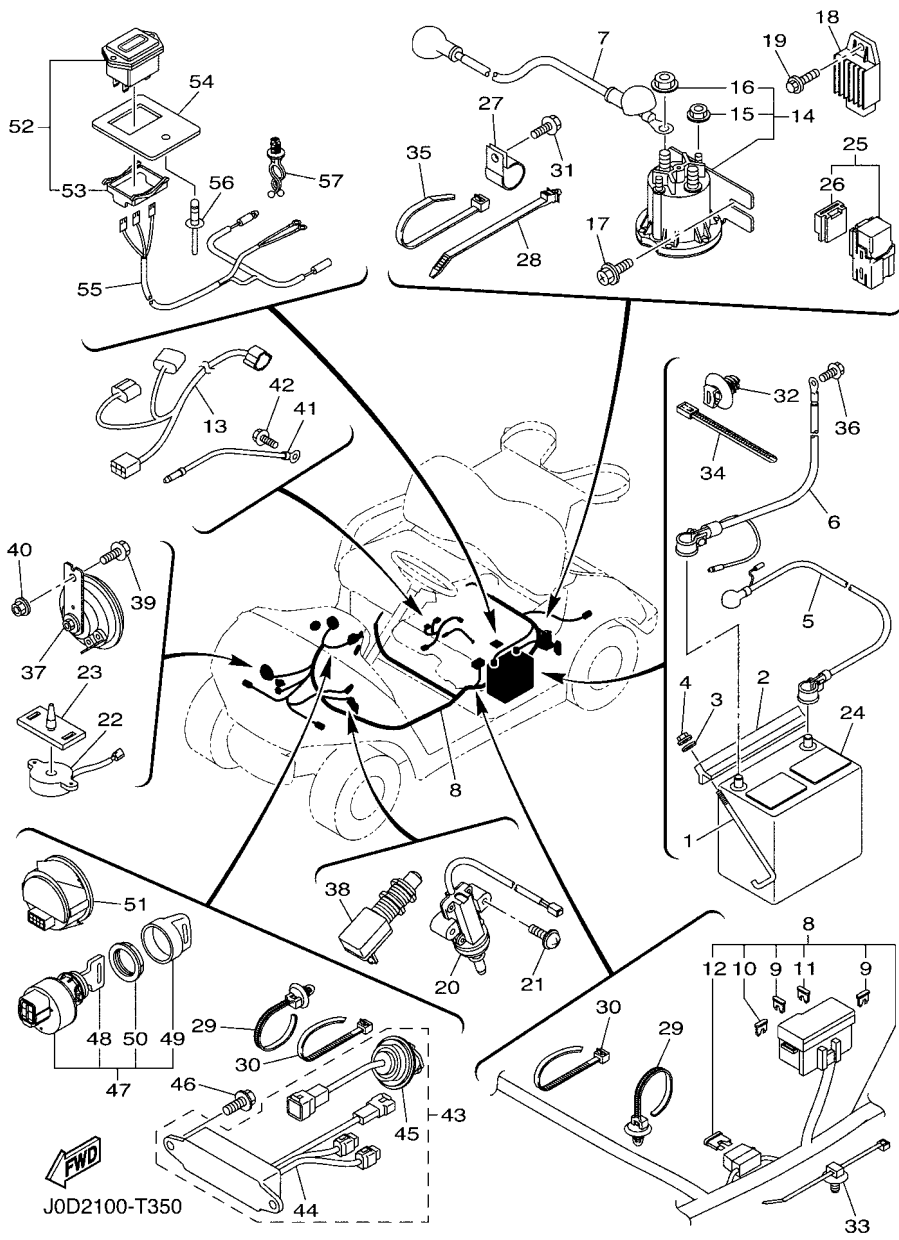


FIG. 35 ELECTRICAL 2

REF. NO.	PART NO.	DESCRIPTION	J0D3	REMARKS
55	JW1-H2386-10	EXTENSION, WIRE HARNESS	1	AP
56	JW7-K7329-00	RIVET	1	AP
57	90464-12836	CLAMP	1	AP
<hr style="border-top: 1px dashed black;"/>				
<hr style="border-top: 1px dashed black;"/>				
<hr style="border-top: 1px dashed black;"/>				
<hr style="border-top: 1px dashed black;"/>				
<hr style="border-top: 1px dashed black;"/>				
<hr style="border-top: 1px dashed black;"/>				
<hr style="border-top: 1px dashed black;"/>				
<hr style="border-top: 1px dashed black;"/>				
<hr style="border-top: 1px dashed black;"/>				

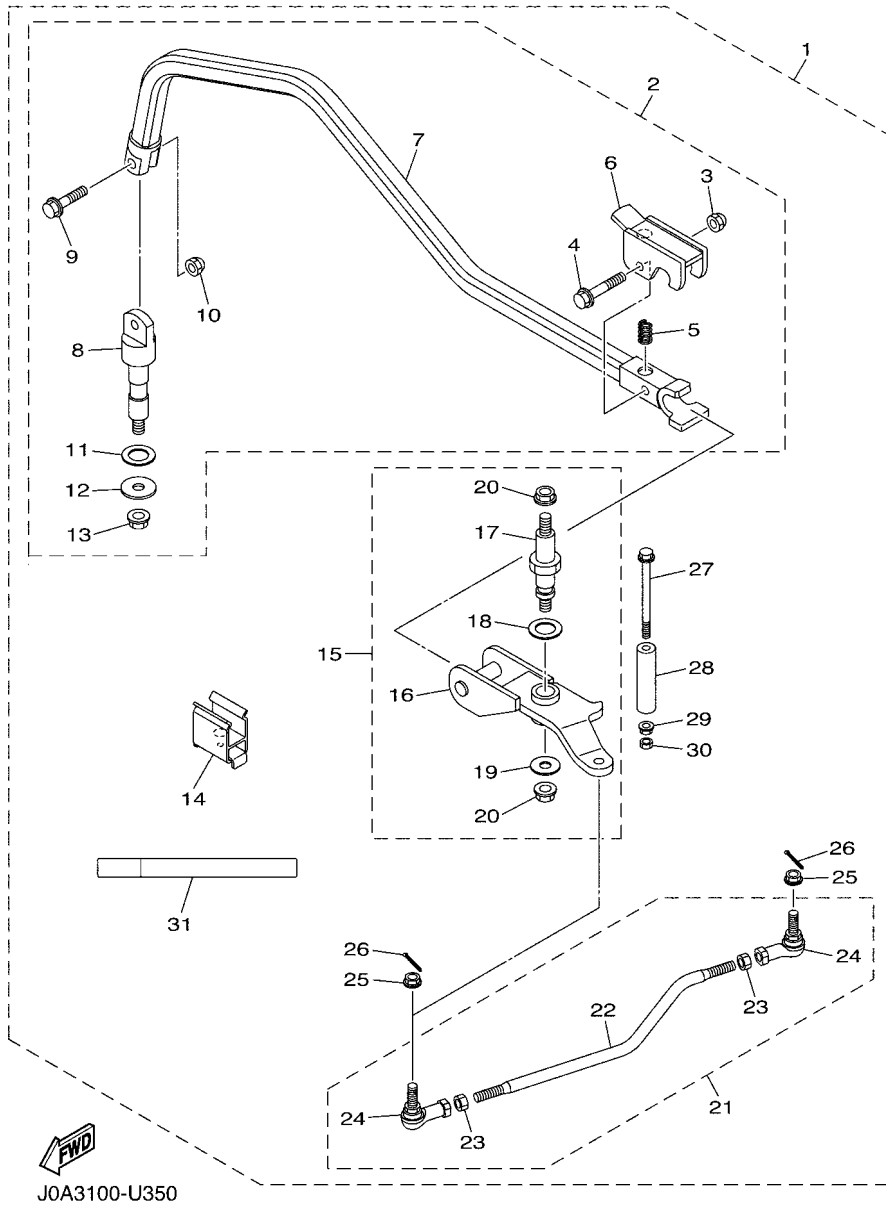


FIG. 36 ALTERNATE FOR CHASSIS

REF. NO.	PART NO.	DESCRIPTION	JOB#				REMARKS
1	J0B-F722B-A1	BAR, TOW	1				
2	J0B-F389J-A0	.DRAW BAR ASSY	1				
3	J0B-F4681-00	..NUT, CAP	1				
4	95802-10050	..BOLT, FLANGE	1				
5	J0B-F178D-A0	..SPRING, HOOK	1				
6	J0B-F381J-A0	..BAR, HANDLE	1				
7	J0B-F7224-00	..BAR, PEDAL LINK	1				
8	J0B-F2141-00	..SHAFT, PIVOT	1				
9	95802-10035	..BOLT, FLANGE	1				
10	J0B-F4681-00	..NUT, CAP	1				
11	J0B-F3418-00	..WASHER, SPECIAL	1				
12	90201-128S4	..WASHER, PLATE	1				
13	95602-12200	..NUT, SELF-LOCKING	1				
14	J0B-F5522-00	.HOLDER	1				
15	J0B-F389K-A0	.ARM PIVOT ASSY	1				
16	J0B-F389G-00	..ARM, PIVOT	1				
17	J0B-F3849-00	..SHAFT 1	1				
18	90201-208S8	..WASHER, PLATE	1				
19	J0B-F3392-00	..WASHER, SPECIAL	1				
20	95602-12200	..NUT, SELF-LOCKING	2				
21	J0B-F3880-A0	.TIE ROD ASSEMBLY 3	1				
22	J0B-F383A-00	..TIE ROD ASSEMBLY 3	1				
23	95302-10600	..NUT, HEXAGON	2				
24	J0B-F3841-A0	..JOINT, UNIVERSAL 1	2				
25	95602-10200	..NUT, S/L FLANGE	2				
26	91402-25020	..PIN, COTTER	2				
27	90105-088A9	..BOLT, FLANGE	1				

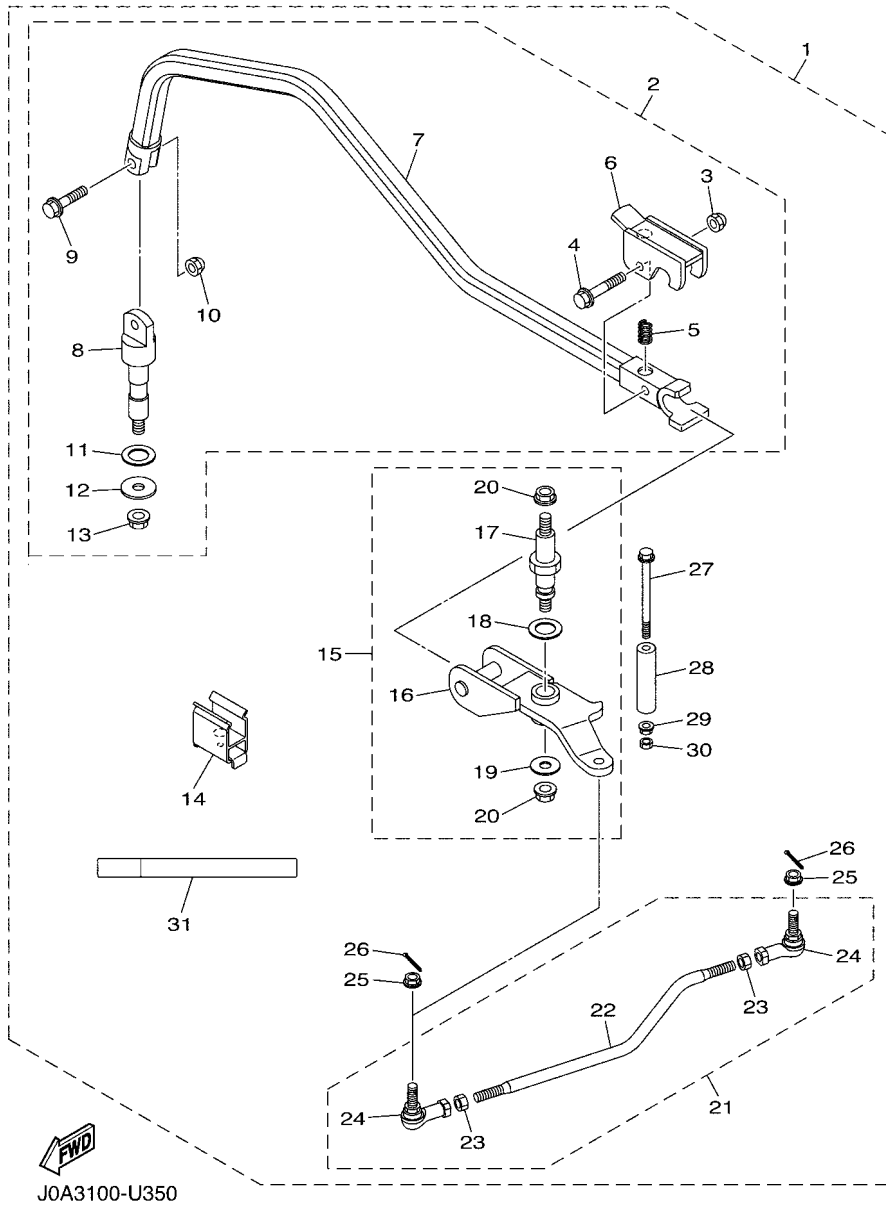
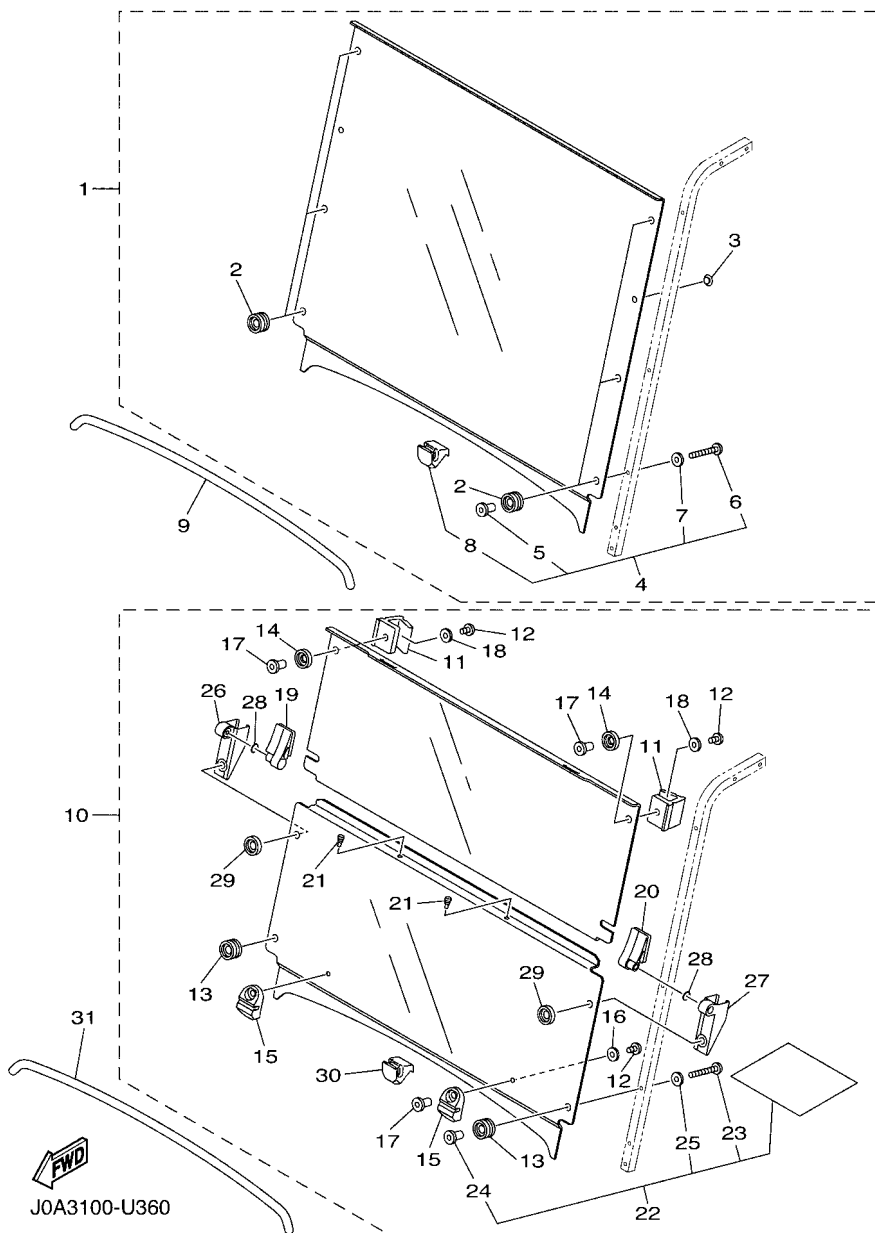


FIG. 36 ALTERNATE FOR CHASSIS

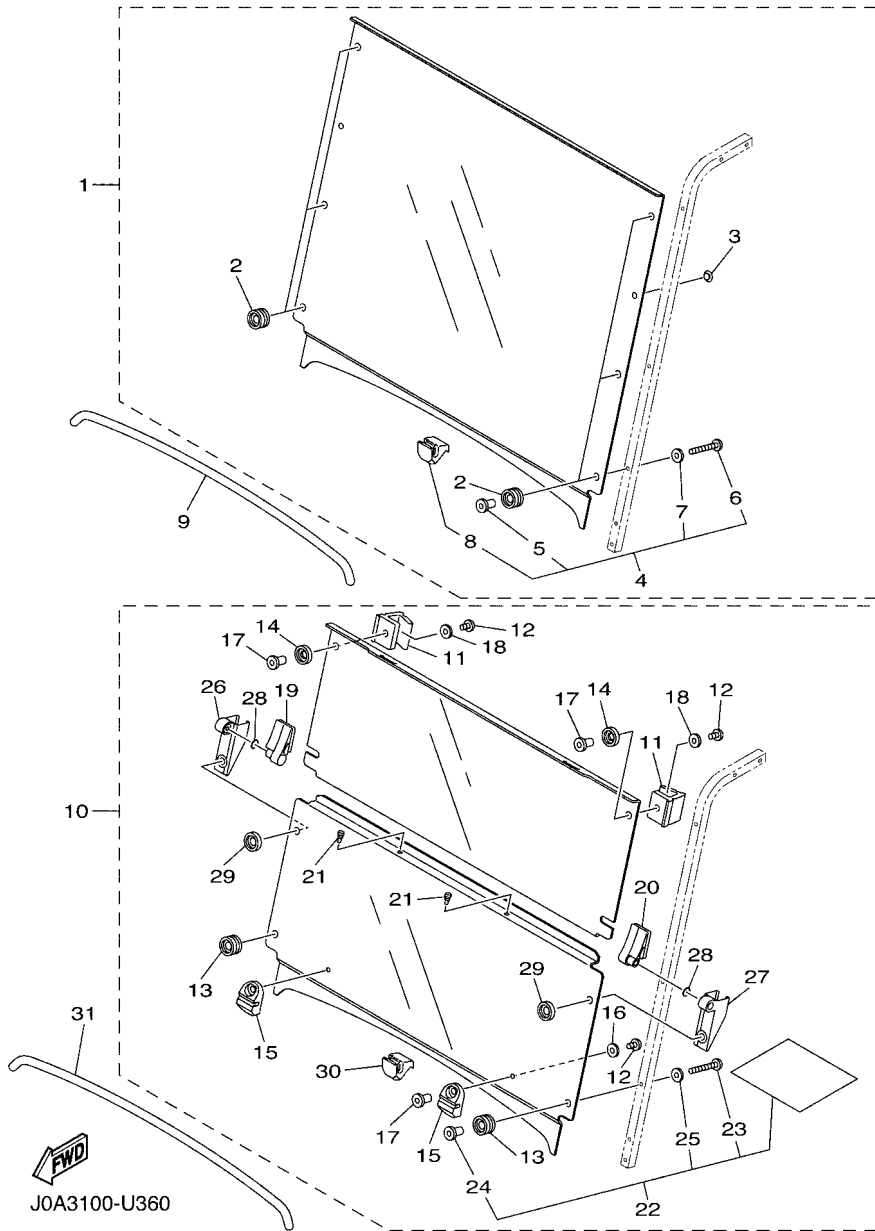
REF. NO.	PART NO.	DESCRIPTION	J0D8					REMARKS
28	J0B-F3432-00	.STOPPER, STEERING 1	1					
29	95602-08200	.NUT, U FLANGE	1					
30	95602-08100	.NUT, U	1					
31	J0B-K7761-A0	.LABEL, WARNING 1	1					

FIG. 37 ALTERNATE FOR WINDSHIELD

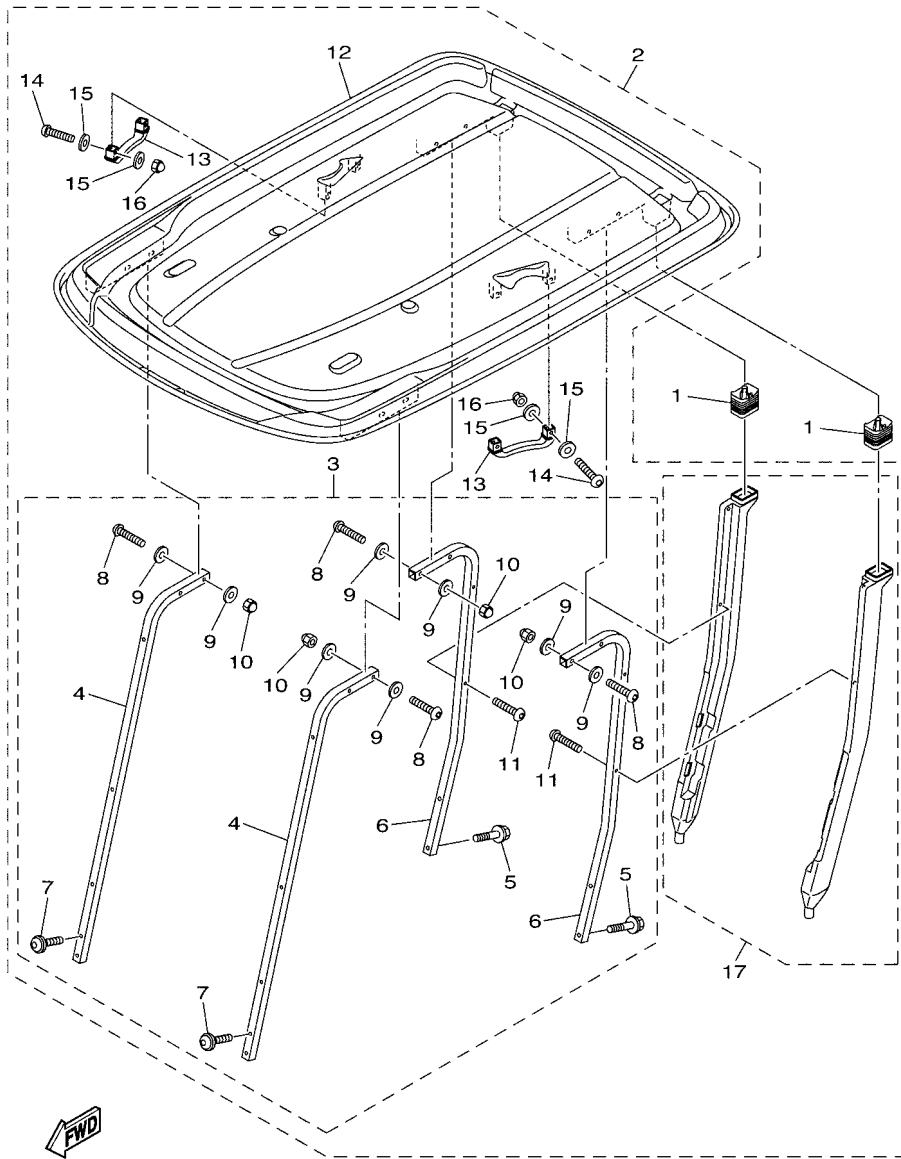


REF. NO.	PART NO.	DESCRIPTION	QTY	REMARKS
1	J0B-K7200-01	WINDSHIELD ASSY	1	UR CLEAR
	J0B-K7200-11	WINDSHIELD ASSY	1	UR SMOKE
2	J0B-K7237-00	.GROMMET	6	
3	J0B-K7238-00	.DAMPER	2	
4	J0B-K7240-01	.WIND SHIELD HARDWARE KIT 1	1	
5	J0B-K7217-00	..NUT, WIND SHIELD	6	
6	J0B-K7248-00	..SCREW 1	6	
7	J0B-K7218-00	..WASHER 1	6	
8	J0B-K838A-20	..RETAINER 1	1	
9	J0B-K7213-00	TRIM, UPPER	1	
10	J0B-K7200-23	WINDSHIELD ASSY	1	UR CLEAR
	J0B-K7200-33	WINDSHIELD ASSY	1	UR SMOKE
11	J0B-K7173-20	..LEVER, LATCH 1	2	
12	J0B-K7258-00	..SCREW, 2	4	
13	J0B-K7237-00	.GROMMET	2	
14	J0B-K7247-00	.GROMMET, W/S 2	2	
15	J0B-K7257-00	.GROMMET, W/S 3	2	
16	J0B-K7218-00	.WASHER 1	2	
17	J0B-K7217-00	..NUT, WIND SHIELD	4	
18	J0B-K7219-00	..WASHER 2	2	
19	J0B-K7145-20	..HINGE 1	1	
20	J0B-K7146-20	..HINGE 2	1	
21	J0B-K7529-20	..SPACER, BUMPER	2	
22	J0B-K7240-20	..WIND SHIELD HARDWARE KIT 1	1	
23	J0B-K7248-00	..SCREW 1	4	
24	J0B-K7217-00	..NUT, WIND SHIELD	4	
25	J0B-K7218-00	..WASHER 1	4	

FIG. 37 ALTERNATE FOR WINDSHIELD



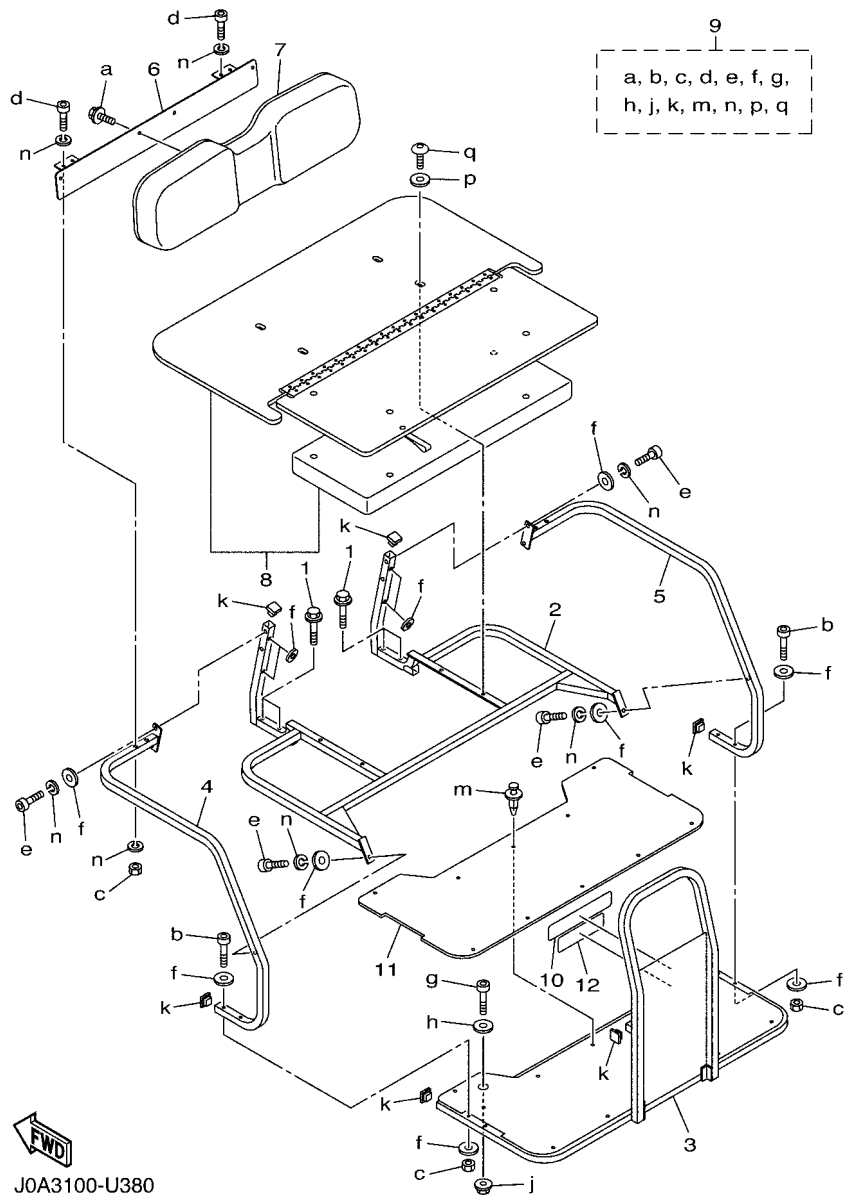
REF. NO.	PART NO.	DESCRIPTION	J0D8				REMARKS
26	J0B-K7147-20	.HINGE 3	1				
27	J0B-K7148-20	.HINGE 4	1				
28	J0B-F3147-20	.O-RING	2				
29	J0B-K7247-00	.GROMMET, W/S 2	2				
30	J0B-K838A-20	.RETAINER 1	1				
31	J0B-K7213-00	TRIM, UPPER	1				



J0A2100-T370

FIG. 38 ALTERNATE FOR SUN ROOF

REF. NO.	PART NO.	DESCRIPTION	J0D8	REMARKS
1	JW1-F414G-10	SEAL	2	
2	J0B-K84A0-00	SUN TOP KIT	1	UR AP TAN
	J0B-K84A0-10	SUN TOP KIT	1	UR AP BLACK
3	J0B-K84A2-00	.HARDWARE KIT, SUN TOP	1	
4	J0B-K8312-00	..SUPPORT, SUN ROOF 1	2	
5	JW1-K8388-00	..BOLT, ROOF 1	4	
6	JW1-K8313-01	..SUPPORT, SUN ROOF 2	2	
7	J0B-K8388-00	..BOLT, ROOF 1	4	
8	JU0-K8388-00	..BOLT, ROOF 1	8	
9	JW1-F1549-01	..WASHER, FENDER MOLD	16	
10	JU0-K8398-00	..NUT, ROOF 1	8	
11	JW1-K7387-00	..SCREW	4	
12	JW1-K8314-10	..COVER, SUN ROOF	1	UR TAN
	JW1-K8314-21	..COVER, SUN ROOF	1	UR BLACK
13	JW1-K8214-00	..GRIP, HAND	2	
14	JU0-K8388-00	..BOLT, ROOF 1	4	
15	JW1-F1549-01	..WASHER, FENDER MOLD	8	
16	JU0-K8398-00	..NUT, ROOF 1	4	
17	J0B-F417A-00	..DRAIN TUBE ASSY	1	



J0A3100-U380

FIG. 39 ALTERNATE FOR SEAT

REF. NO.	PART NO.	DESCRIPTION	J0D3	REMARKS
1	90109-08178	BOLT	4	
2	J0B-K8460-00	SEAT FRAME COMP.	1	
3	J0B-K8477-00	FLOOR ASSEMBLY	1	
4	J0B-K8473-00	HANDRAIL ASSEMBLY (LH)	1	
5	J0B-K8474-00	HANDRAIL ASSEMBLY (RH)	1	
6	J0B-K8432-00	BRACKET, SEAT SUPPORT 2	1	
7	J0B-K8402-00	SEAT SUB ASSY, BACK	1	UR TAN
	J0B-K8402-10	SEAT SUB ASSY, BACK	1	UR BLACK
8	J0B-K8480-00	SEAT BOTTOM COMPLETE 1	1	UR TAN
	J0B-K8480-10	SEAT BOTTOM COMPLETE 1	1	UR BLACK
9	J0B-F47E2-00	HARDWARE KIT, TANDEM SEAT	1	
10	J0B-K8483-00	LABEL WARNING	1	
11	J0B-K8466-00	MAT, RUBBER	1	
12	J0B-F1696-00	LABEL, CAUTION	1	

NUMERICAL INDEX

PART NO.	REF. NO.	PART NO.	REF. NO.	PART NO.	REF. NO.	PART NO.	REF. NO.	PART NO.	REF. NO.	PART NO.	REF. NO.
JT0-11111-00	2 - 1	52B-14147-00	7 - 8	JE8-82372-00	34 - 24	J0D-F1781-10	27 - 27	J0B-F3838-00	14 - 6	J0B-F537W-00	11 - 16
JN6-11116-00	2 - 10	5CA-14147-00	7 - 9	1C7-82380-00	7 - 2	J0D-F1782-00	27 - 28	J0B-F383A-00	36 - 22		11 - 29
JN6-11133-10	2 - 2	3B4-14424-00	6 - 14	JC0-82519-00	35 - 41	J0D-F1782-10	27 - 28	J0B-F3841-A0	36 - 24	J0B-F53A1-01	11 - 10
JR7-11163-10	2 - 18	5CA-14435-00	34 - 2	JN3-82617-01	23 - 17	J0B-F178D-A0	36 - 5	5UG-F3844-00	14 - 19		11 - 23
JN6-11168-00	2 - 11	7KY-14613-01	8 - 3	JF7-82817-22	35 - 20	J0B-F2110-02	11 - 1	J0B-F3849-00	36 - 17	JW8-F5415-00	17 - 26
JN6-11169-00	2 - 12	JC0-15111-01	9 - 1	4LR-83371-11	35 - 37	J0B-F2127-00	12 - 14	JU0-F3857-11	14 - 3	J0B-F5522-00	36 - 14
JT0-11181-00	2 - 3	J38-15361-00	9 - 18	4P9-83591-00	34 - 30	J0B-F2141-00	36 - 8		14 - 5	JW9-F5666-00	17 - 13
JN6-11191-01	2 - 9	JT0-15362-00	34 - 28	JC0-85650-10	34 - 13	J0B-F2171-01	11 - 37	JW1-F3866-00	14 - 24	J0G-F5671-00	17 - 4
JN6-11193-00	2 - 13	796-15363-01	9 - 16	JT0-85720-01	34 - 25	J0B-F2210-00	11 - 9	JW1-F387A-00	14 - 11	JW9-F5673-00	17 - 45
812-11198-00	9 - 6	JN6-15411-01	9 - 8	JT0-85724-00	34 - 27		11 - 22	JW1-F387E-00	14 - 14	JW8-F5681-10	16 - 6
JN6-11400-00	3 - 1	JY2-15451-00	9 - 12	5CA-85886-00	34 - 1	5UG-F2465-10	35 - 32	5UG-F387F-00	14 - 17	JN6-F5685-01	16 - 7
JN6-11454-10	3 - 8	J0B-19001-10	1 - 1	J0B-E1166-00	2 - 16	J0B-F2501-10	12 - 1	5UG-F387G-00	14 - 15	JC0-F6280-10	30 - 1
JR7-11610-00	3 - 3	JT0-21481-00	10 - 5	JW8-E1923-00	22 - 5	J0B-F253B-01	12 - 4	5UG-F387J-00	14 - 18	JC0-F6291-10	30 - 2
JR7-11610-10	3 - 3	401-22128-01	13 - 16	J0B-E2691-00	5 - 7	J0B-F255G-00	12 - 2	5UG-F387K-00	14 - 16	J0B-F6311-00	17 - 50
JR7-11610-20	3 - 3	2NL-23448-00	13 - 9	J0B-E4411-01	6 - 13	J0B-F258E-10	12 - 12	J0B-F3880-A0	36 - 21	J0B-F6312-00	6 - 15
JR7-11631-00-A0	3 - 2	5KM-23448-00	11 - 39	J0B-E4412-00	6 - 10	J0B-F258R-01	12 - 17	JW1-F3894-00	14 - 25	JW8-F6314-00	17 - 22
583-11633-00	3 - 4	2NL-23517-00	13 - 11	J0B-E4413-00	6 - 16	J0B-F2873-01	27 - 25	J0B-F389G-00	36 - 16	J0B-F6341-00	16 - 1
JR7-11635-00	3 - 2	5UG-23517-10	11 - 40	J0B-E4430-01	8 - 7	J0B-F2874-01	27 - 26	J0B-F389J-A0	36 - 2	J0B-F6351-00	16 - 2
JR7-11636-00	3 - 2	2HR-23526-00	11 - 43	J0B-E4437-00	6 - 21	J0B-F3113-00	11 - 14	J0B-F389K-A0	36 - 15	JW8-F639N-00	17 - 10
JN6-11650-10	3 - 6		13 - 3	J0B-E4451-01	6 - 11		11 - 27	JC0-F4111-02	15 - 1	JW8-F7118-00	17 - 41
JN6-11654-10	3 - 7	JW8-23841-01	14 - 27	J0B-E4453-01	6 - 23	J0B-F3123-01	12 - 21	JW1-F4112-00	15 - 3	JW8-F7119-00	17 - 29
JN6-12111-10	4 - 2	4WM-24180-00	15 - 16	JU0-E445E-00	6 - 12	JW7-F312H-00	16 - 5	JW1-F414G-10	38 - 1	JW8-F7121-00	17 - 14
J38-12117-01	4 - 6	1S3-24486-00	15 - 12	J0B-E4710-01	8 - 1	J0B-F3133-02	12 - 25	J0B-F4161-00	26 - 2	J0G-F7200-02	17 - 2
J38-12118-00	4 - 7	JC0-24491-00	15 - 11	JW1-E4713-00	8 - 4	J0B-F3147-20	37 - 28	7CC-F4170-01	15 - 15	JW8-F7213-20	17 - 34
4G0-12119-00	4 - 13	J38-27204-00	18 - 3	J0B-E5471-00	6 - 18	JW1-F3183-00	14 - 12	J0B-F417A-00	38 - 17	JW8-F7217-00	17 - 32
7RH-12121-10	4 - 3	J38-27205-00	18 - 14	JW8-E7688-00	21 - 7	JW8-F3183-00	17 - 17	J0B-F419A-00	15 - 21	J0G-F7218-00	17 - 11
JN6-12151-10	4 - 8	J55-27260-00	18 - 19	J0B-F125J-00	12 - 30	J0B-F3350-00	13 - 14	J0B-F4217-00	15 - 5	JW9-F7221-00	17 - 15
JN6-12153-10	4 - 4	J55-27270-00	18 - 8	1NS-F1338-00	35 - 33	J0B-F3390-00	13 - 19	J0B-F4314-00	15 - 18	J0B-F7224-00	36 - 7
JR7-12154-10	4 - 12	J10-27282-00	18 - 5	JW8-F135J-00	20 - 7	J0B-F3392-00	36 - 19	J0B-F4316-00	15 - 19	JW9-F7228-00	17 - 24
J38-12156-20	4 - 11		18 - 16		21 - 4	JW1-F3400-00	14 - 10	J0B-F4317-00	15 - 20	J0B-F722B-A1	36 - 1
22F-12159-10	4 - 9	J0B-27951-00	19 - 1	J0B-F1411-00	10 - 1	J0B-F3418-00	36 - 11	JU5-F4375-00	15 - 4	JU0-F722H-00	22 - 7
JR7-12180-10	4 - 1	J38-27959-00	19 - 5	J0B-F1419-01	10 - 4	J0B-F3432-00	36 - 28	JW8-F4486-00	17 - 44	JW9-F7231-10	17 - 19
JN6-12621-02	5 - 1	B88-2817K-00	15 - 7	J0B-F1436-00	8 - 2	J0B-F3447-00	27 - 2		17 - 48	JW9-F7232-00	17 - 20
JR7-12634-00	5 - 9	J10-81115-10	32 - 21	J0B-F1485-00	10 - 8		27 - 9	JW1-F4610-11	15 - 2	JU0-F723F-00	22 - 35
JN6-12651-01	5 - 3	J10-81129-10	32 - 24	J0B-F1531-00	11 - 3		27 - 22	JW1-F467K-00	14 - 23	JW9-F7245-10	17 - 30
JN6-12652-00	5 - 5	J10-81139-10	32 - 25	JW1-F1549-01	38 - 9	5UG-F3489-00	14 - 20	J0B-F4681-00	36 - 3	JW9-F7246-20	17 - 46
JR7-12658-00	5 - 4	J10-81146-10	32 - 11		38 - 15	JU0-F3511-20	13 - 4		36 - 10	JW8-F7280-10	18 - 1
JC0-13542-00	7 - 3	J10-81147-10	32 - 14	J0B-F1696-00	39 - 12	JW1-F3512-00	13 - 5	J0B-F47E2-00	39 - 9	JW8-F7281-00	18 - 4
JC0-13567-00	6 - 4	J10-81148-10	32 - 7	J0B-F1738-00	12 - 9	JU0-F3521-20	13 - 12	JW8-F47E3-00	22 - 36		18 - 15
JN6-13567-00	6 - 3	J10-81159-10	32 - 4		12 - 10	5UG-F3527-00	14 - 21	J0B-F4881-00	35 - 54	JW8-F7286-00	18 - 9
	6 - 5	JB2-81670-00	34 - 14		12 - 11	J0B-F3570-10	13 - 1	JC1-F5100-01	13 - 31		18 - 20
JC0-13595-00	6 - 1	JF2-81910-11	35 - 18		12 - 29	J0G-F3811-00	14 - 1		24 - 5	JW8-F7290-10	18 - 12
J0B-13750-00	7 - 1	1TP-81950-00	35 - 25		27 - 18	JW1-F3812-00	14 - 13	JC1-F5103-00	13 - 21	J0G-F7313-00	17 - 12
J0B-13770-00	7 - 5	5EA-81952-00	35 - 26		27 - 23	J0B-F381J-A0	36 - 6	JW8-F5118-00	24 - 7	JW8-F7316-01	17 - 31
J0D-13907-01	15 - 10	J0B-82149-01	35 - 13		31 - 9	JW1-F3822-01	14 - 29	JN6-F5118-01	13 - 29	JW8-F7317-00	17 - 40
52S-13938-00	7 - 6	1S4-82310-00	34 - 17		31 - 11	JU0-F3828-10	14 - 4	J0B-F518F-00	24 - 9	JW8-F7318-00	17 - 21
J0D-13971-00	15 - 14	JC0-82316-00	34 - 18	JW1-F1738-00	15 - 8	1P0-F3833-00	14 - 26	J0B-F518G-00	24 - 10	JW8-F7322-00	17 - 16
52B-14137-00	7 - 7	JN6-82370-00	34 - 23	J0D-F1781-00	27 - 27	JW1-F3837-00	14 - 22	J0B-F5310-10	24 - 1	J0D-F7411-01	12 - 7

NUMERICAL INDEX

PART NO.	REF. NO.	PART NO.	REF. NO.	PART NO.	REF. NO.	PART NO.	REF. NO.	PART NO.	REF. NO.	PART NO.	REF. NO.
J0B-F7413-01	12 - 6	JW8-G6202-23	21 - 1	JN6-H1113-00	32 - 20	J0D-H4195-00	33 - 10	J0B-K7218-00	37 - 16	J0D-K8112-A0	27 - 8
J0G-F7416-00	17 - 9	JW8-G6205-22	20 - 9	JN6-H1119-00	32 - 18					J0D-K8114-01	26 - 6
JW8-F7426-01	17 - 18	JW8-G6210-01	20 - 2	JW1-H1128-00	35 - 53	J0D-H4300-00	33 - 2	J0B-K7219-00	37 - 18	J0D-K8115-00	26 - 1
JW8-F7434-00	17 - 39	J0B-G6220-01	20 - 3	J10-H1145-10	32 - 26			J0B-K7237-00	37 - 2	J0D-K8115-20	26 - 1
JW8-F7438-00	17 - 38	J0B-G6231-00	20 - 17	J10-H1157-10	32 - 2	J0D-H431U-00	33 - 26			J0D-K8115-30	26 - 1
JW8-F7445-31	17 - 33	JW8-G6236-20	20 - 12	J10-H1158-10	32 - 3	J0D-H4385-00	33 - 4	J0B-K7238-00	37 - 3	J0D-K8115-40	26 - 1
J0G-F7814-00	17 - 23	JW8-G6237-20	20 - 13	JN6-H1160-10	32 - 6	J0D-H4386-00	33 - 16	J0B-K7240-01	37 - 4	J0D-K8115-70	26 - 1
JW8-F7814-21	17 - 3	J0D-G6241-00	20 - 21	JN6-H1161-00	32 - 29	J0D-H4387-00	33 - 33	J0B-K7240-20	37 - 22	J0D-K8115-80	26 - 1
		JW8-G6249-00	20 - 19	JN6-H1165-00	32 - 12	JC0-H4514-00	33 - 28	J0B-K7247-00	37 - 14	J0D-K8115-90	26 - 1
J0G-F7825-00	17 - 28	JW8-G624A-00	20 - 4	J10-H1166-10	32 - 13					J0D-K8115-A0	26 - 1
J0G-F7850-03	17 - 1	JW8-G624B-00	21 - 5	JW1-H1170-11	34 - 4	J0D-H4524-00	33 - 9	J0B-K7248-00	37 - 6	JR1-K8139-00	27 - 30
JW8-F7853-10	17 - 35	JW8-G6251-21	20 - 8	JN6-H1171-11	34 - 10					J0B-K8141-00	27 - 19
J0G-F7854-00	17 - 5	JW8-G6253-00	20 - 5	JW1-H1173-02	34 - 12	J0D-H4526-00	33 - 6	J0B-K7257-00	37 - 15	J0B-K8141-20	27 - 19
J0G-F7871-01	17 - 36	JW8-G6260-23	21 - 2	JN3-H1661-00	32 - 28			J0B-K7258-00	37 - 12	J0B-K8141-30	27 - 19
JW8-F7872-30	17 - 37	JW8-G6270-21	21 - 3	JW9-H1674-00	31 - 1	J0D-H4700-00	33 - 27	JW7-K7329-00	15 - 22	J0B-K8141-40	27 - 19
J0G-F815H-00	17 - 42	JW8-G6275-10	21 - 11	JW1-H1950-00	35 - 14					J0B-K8141-70	27 - 19
J0B-F8218-00	11 - 4	JW8-G6284-10	21 - 6	J0B-H2115-00	35 - 5	J0D-H4710-00	33 - 25			J0B-K8141-80	27 - 19
J0B-F8228-00	11 - 5	J0D-G6301-00	22 - 2	J0B-H2116-01	35 - 6	J0D-H4718-00	33 - 29	J0B-K7363-00	14 - 36	J0B-K8141-90	27 - 19
J0B-F8238-00	11 - 6	J0B-G6314-00	22 - 31	J0B-H2117-00	35 - 7			J0B-K7387-00	14 - 34	J0B-K8141-A0	27 - 19
J0B-F8268-00	11 - 7	J0B-G6316-00	22 - 24	JW1-H2133-00	35 - 1	J0D-H4726-00	33 - 7	JW1-K7387-00	38 - 11	J0B-K814E-00	27 - 3
J0B-F8278-00	11 - 8	J0D-G6320-00	22 - 8	J55-H2136-00	35 - 2			JW1-K7387-20	30 - 5		27 - 10
JC0-F831W-20	30 - 3	J0B-G6326-00	22 - 25	J0D-H2151-00	35 - 12	J0D-H4730-00	33 - 32	J0B-K7389-00	29 - 5	J0B-K814F-00	27 - 4
JW8-F8323-00	17 - 25	J0D-G6327-00	22 - 30	J0D-H21E0-01	35 - 43	J0D-H5490-01	33 - 5	J0B-K7510-01	25 - 1		27 - 11
JW8-F8331-00	17 - 47	J0B-G633E-00	22 - 3	J0D-H21E1-00	35 - 44			J0B-K7529-20	37 - 21	J0B-K814R-00	27 - 14
JC0-F834N-20	30 - 4	J0B-G633G-00	22 - 26	J0D-H21E2-01	35 - 45	J0B-H5546-00	34 - 32	J0B-K7540-00	25 - 7	J0B-K814T-00	27 - 15
JW8-F8363-00	17 - 8	JN3-G6344-00	22 - 45	J0B-H2370-00	26 - 13	JW6-H554E-00	35 - 9	JU0-K7573-00	26 - 3	J0B-K814U-00	27 - 16
J0B-G1148-00	22 - 33	J0B-G6355-00	22 - 43	JN6-H2377-00	27 - 31	JW6-H554E-10	35 - 11	JW1-K7741-00	27 - 29	J0B-K8164-00	25 - 2
J0B-G1297-00	22 - 23	J0B-G6356-00	22 - 20	JW1-H2386-10	35 - 55	JW6-H554E-20	35 - 10	J0B-K7761-A0	36 - 31	J1B-K816M-00	12 - 15
J0B-G2391-00	22 - 6	J0B-G6371-00	23 - 3	JW6-H2510-00	35 - 47	J0B-H591A-01	34 - 31	J0D-K7762-10	14 - 38	J0B-K817H-00	27 - 35
JW8-G2541-00	22 - 46	J0B-G6372-10	23 - 15	JU6-H2511-10	35 - 48	J0B-K7115-00	14 - 37	J0D-K7762-20	14 - 38	J0B-K817H-10	27 - 35
JC1-G2544-00	22 - 41	JW8-G6374-00	21 - 10	JU6-H2569-00	35 - 50	J0B-K7145-20	37 - 19	J0B-K7768-00	26 - 8	J0B-K817J-00	27 - 36
J0B-G3127-00	22 - 10	JN3-G6376-00	23 - 10	5UG-H2579-00	35 - 49	J0B-K7146-20	37 - 20	J0B-K7768-10	26 - 8	J0B-K817J-10	27 - 36
J0B-G3812-00	22 - 11	JU0-G6376-00	22 - 13	J0D-H2590-01	35 - 8	J0B-K7147-20	37 - 26	J0B-K7768-20	26 - 8	J0B-K8187-00	28 - 13
JW8-G4189-00	20 - 6	JN3-G6381-00	23 - 9	JR6-H270X-00	35 - 38	J0B-K7148-20	37 - 27	J0D-K8111-00	27 - 1	J0B-K818A-00	28 - 2
J0B-G5148-00	22 - 44	J0B-G6382-00	23 - 5	J0D-H333B-00	26 - 14	J0B-K7173-20	37 - 11	J0D-K8111-20	27 - 1	J0B-K818B-00	28 - 5
JW8-G5282-00	20 - 18	JW8-G6383-10	23 - 4	J0D-H334B-00	26 - 15	JC0-K7178-00	30 - 6	J0D-K8111-30	27 - 1	J0B-K8191-00	28 - 8
JW8-G5378-00	22 - 38	J0B-G638A-00	22 - 29	JR1-H3383-02	35 - 22	J0B-K7200-01	37 - 1	J0D-K8111-40	27 - 1	J0B-K8192-00	28 - 10
JW8-G5531-00	21 - 9	J0B-G638E-00	22 - 28	JN6-H3386-01	35 - 23	J0B-K7200-11	37 - 1	J0D-K8111-70	27 - 1	J0B-K8197-01	28 - 12
JW8-G5618-00	20 - 10	J0B-G6410-00	22 - 40	JC0-H351C-10	35 - 51	J0B-K7200-23	37 - 10	J0D-K8111-80	27 - 1	J0B-K819H-00	27 - 13
		JN3-G6432-00	22 - 32	JN6-H351C-10	35 - 52	J0B-K7200-33	37 - 10	J0D-K8111-90	27 - 1	JW1-K8214-00	38 - 13
JW8-G5621-00	20 - 16	JW3-G6521-00	24 - 6	J0D-H3547-00	33 - 8	JC0-K7212-10	30 - 8	J0D-K8111-A0	27 - 1	J0B-K821A-00	12 - 20
JW8-G5677-00	21 - 12	J0B-G6555-00	22 - 12			J0B-K7213-00	37 - 9	J0D-K8112-00	27 - 8	J0D-K8233-00	26 - 16
JW8-G5697-20	21 - 15	J0B-G6556-00	22 - 47	J0D-H360G-00	27 - 32			J0D-K8112-20	27 - 8	J0B-K8237-02	27 - 21
J0B-G580H-00	22 - 18	JW8-G7339-00	20 - 20	J0D-H360H-00	27 - 33	J0B-K7217-00	37 - 5	J0D-K8112-30	27 - 8	J0B-K8243-00	26 - 19
J0B-G6153-00	22 - 27	J0B-G8330-00	23 - 2	J0D-H4110-01	33 - 1			J0D-K8112-40	27 - 8	J0B-K8244-00	26 - 21
JW8-G6159-00	21 - 8	JN6-H1100-04	32 - 1	J0D-H411T-00	33 - 3			J0D-K8112-70	27 - 8	J0B-K8245-00	31 - 4
J0B-G6164-00	22 - 9	JN6-H1110-10	32 - 5	J0D-H411U-00	33 - 15	JW1-K7217-10	30 - 7	J0D-K8112-80	27 - 8	J0B-K8246-00	31 - 5
J0B-G6201-01	20 - 1	JF2-H1111-00	32 - 19	J0D-H4170-01	33 - 13	J0B-K7218-00	37 - 7	J0D-K8112-90	27 - 8	J0B-K8247-00	31 - 6

NUMERICAL INDEX

PART NO.	REF. NO.	PART NO.	REF. NO.	PART NO.	REF. NO.	PART NO.	REF. NO.	PART NO.	REF. NO.	PART NO.	REF. NO.
J0B-K8248-00	31 - 7	J0B-K8423-00	29 - 1	90119-06808	31 - 15	90269-07805	27 - 5	90506-20281	18 - 6	93306-20714	9 - 9
J0B-K8251-00	27 - 6	J0B-K8426-10	31 - 12	90119-06868	35 - 31		27 - 12		18 - 17	93306-303Y6	22 - 4
J0B-K8252-01	12 - 18	J0B-K8427-00	31 - 2		35 - 46		27 - 20	90508-16460	17 - 53	93306-30709	9 - 2
J0B-K8253-00	15 - 24	J0B-K8432-00	39 - 6	90159-06845	29 - 13	90269-08001	26 - 7	90508-40678	19 - 4	93450-21053	3 - 5
J0B-K8254-00	11 - 38	J0B-K8460-00	39 - 2	90170-05302	4 - 10	90269-09003	12 - 8	90560-05001	17 - 54	93450-22119	24 - 11
J0B-K8255-02	27 - 24	J0B-K8466-00	39 - 11	90170-10840	22 - 42		26 - 17	90560-08251	15 - 9	93500-06826	22 - 16
J0B-K8256-00	12 - 22	J0B-K8473-00	39 - 4	90176-06008	29 - 6		28 - 3	91402-20012	23 - 8	93606-10842	22 - 22
J0B-K8257-00	12 - 23	J0B-K8474-00	39 - 5	90179-05807	35 - 15		28 - 6	91402-25020	36 - 26	94702-00343	2 - 8
J0B-K8258-00	12 - 24	J0B-K8477-00	39 - 3	90179-08822	16 - 8	90269-10001	5 - 8	91490-25015	16 - 13	94702-00348	2 - 8
J0B-K8259-00	12 - 26	J0B-K8480-00	39 - 8	90179-08824	35 - 16	90280-04052	34 - 22	91702-05010	6 - 7	95302-06600	19 - 2
J0B-K825A-00	12 - 27	J0B-K8480-10	39 - 8	90179-12262	13 - 30	90340-12097	9 - 5	91702-05014	17 - 51		34 - 9
J0B-K825E-00	12 - 28	J0B-K8483-00	39 - 10		24 - 4	90381-17800	13 - 10	91702-06014	23 - 6	95302-06800	15 - 13
J0D-K825G-00	27 - 7	J0B-K84A0-00	38 - 2	90179-16889	32 - 30	90381-17803	11 - 15	91702-08018	16 - 12	95302-08700	25 - 5
J0B-K8271-01	28 - 1	J0B-K84A0-10	38 - 2	90179-20016	24 - 3		11 - 28	91702-10026	16 - 3	95302-10600	36 - 23
J0B-K8273-10	26 - 18	J0B-K84A2-00	38 - 3	90183-05008	26 - 12	90381-18801	13 - 2	92012-06030	34 - 8	95302-18600	34 - 20
J0D-K8282-00	26 - 9	JN9-W2536-11	18 - 2	90183-08800	33 - 11	90386-08141	19 - 3	92017-06040	29 - 4	95307-08700	16 - 9
JW1-K8297-02	27 - 34		18 - 13		33 - 23	90386-12800	17 - 27	92902-06200	35 - 3	9530N-06600	32 - 8
JW1-K8297-11	27 - 34	90105-06057	6 - 19		33 - 30	90387-12016	13 - 15	92902-06600	23 - 7		32 - 15
J0B-K8312-00	38 - 4	90105-06831	23 - 16		33 - 37	90387-241M7	13 - 25	92902-08600	14 - 31	95602-06200	19 - 6
JW1-K8313-01	38 - 6		26 - 4	90185-06836	29 - 11	90450-54008	15 - 6	92902-10200	10 - 6	95602-08100	23 - 1
JW1-K8314-10	38 - 12		35 - 17	90185-10012	11 - 42	90461-14108	35 - 27	92902-12200	14 - 8		36 - 30
JW1-K8314-21	38 - 12	90105-06870	35 - 19	90185-12008	14 - 7	90462-05061	2 - 15	92907-06100	32 - 10	95602-08200	36 - 29
J0B-K832F-00	26 - 23	90105-08260	21 - 14	90201-04810	14 - 35	90464-09823	8 - 8		32 - 17	95602-08710	2 - 17
J1B-K832F-00	26 - 23	90105-082A0	18 - 23	90201-10057	2 - 5		35 - 28	9290N-06600	32 - 9	95602-10200	10 - 7
J0B-K832G-00	26 - 24	90105-08867	12 - 5		9 - 15	90464-12836	35 - 57		32 - 16		10 - 9
J1B-K832G-00	26 - 24		12 - 13	90201-10072	10 - 3	90464-18246	15 - 23		32 - 27		11 - 36
JW1-K8340-00	29 - 3		12 - 19	90201-121H8	18 - 11	90464-20005	35 - 29	9299R-06200	29 - 14		11 - 45
JW1-K834G-00	29 - 9		22 - 48		18 - 22	90464-40825	15 - 17	93102-25868	22 - 17		13 - 7
JN6-K8355-20	29 - 8		35 - 36	90201-121H9	18 - 10		35 - 34	93102-30083	13 - 26		25 - 8
JF2-K8356-00	29 - 7	90105-088A9	36 - 27		18 - 21	90464-48800	35 - 30	93102-35014	9 - 3		36 - 25
J0D-K8357-00	14 - 32	90105-088B6	12 - 16	90201-128S4	36 - 12	90464-51800	35 - 35		9 - 10	95602-12200	11 - 18
J0B-K8358-00	14 - 33	90105-10185	11 - 41	90201-18620	34 - 21	90464-76800	12 - 31	93104-11829	22 - 37		11 - 31
J0B-K835E-00	26 - 10	90105-10219	13 - 8	90201-198S7	23 - 12		28 - 14	93106-38046	11 - 13		14 - 9
J0B-K8361-00	31 - 8	90105-10267	11 - 44	90201-20035	24 - 8	90465-06038	23 - 18		11 - 26		36 - 13
J0B-K8362-00	31 - 10		13 - 13	90201-208H9	22 - 19	90467-13847	2 - 19	93109-10820	22 - 34		36 - 20
JN6-K8380-00	29 - 12		13 - 20	90201-208J0	22 - 21	90467-24140	6 - 22	93210-15414	34 - 29	95602-14100	13 - 28
J0B-K8388-00	38 - 7	90105-10373	13 - 6	90201-208S8	23 - 11	90468-10049	6 - 8	93210-19001	11 - 21	95607-06200	17 - 6
JU0-K8388-00	38 - 8	90105-10847	14 - 28		36 - 18		17 - 52		11 - 34	95612-12100	13 - 18
	38 - 14	90109-08178	29 - 2	90208-14801	13 - 27	90468-20196	16 - 4	93210-22344	9 - 17	95622-08618	2 - 7
JW1-K8388-00	38 - 5		39 - 1	90209-08013	21 - 13	90480-13016	33 - 12	93306-005Y3	13 - 24	95702-06500	35 - 4
J0B-K838A-20	37 - 8	90109-08827	34 - 6	90249-14129	16 - 10		33 - 24	93306-00622	11 - 11		35 - 40
	37 - 30	90110-06125	31 - 13	90269-06804	26 - 5		33 - 31		11 - 24	95702-08500	6 - 2
JU0-K8398-00	38 - 10	90111-05805	26 - 11		28 - 4		33 - 38	93306-006Y4	11 - 12		8 - 6
	38 - 16	90113-04803	20 - 11		28 - 7	90480-20564	34 - 15		11 - 25		11 - 20
J0B-K8401-00	31 - 3		20 - 14		28 - 9	90501-10852	22 - 15	93306-007Y0	22 - 39		11 - 33
J0B-K8402-00	39 - 7	90113-08803	22 - 14		28 - 11	90501-264A9	4 - 5	93306-20201	9 - 4		34 - 7
J0B-K8402-10	39 - 7	90114-12006	24 - 2	90269-07805	26 - 20	90506-14001	18 - 7		9 - 11	95802-06016	6 - 6
JW1-K8402-10	31 - 14	90114-12805	13 - 22		26 - 22		18 - 18	93306-204X0	13 - 23	95802-06020	5 - 2

NUMERICAL INDEX

PART NO.	REF. NO.	PART NO.	REF. NO.	PART NO.	REF. NO.	PART NO.	REF. NO.	PART NO.	REF. NO.	PART NO.	REF. NO.
95802-06020	5 - 6										
95802-10035	36 - 9										
95802-10050	36 - 4										
95812-06025	7 - 10										
95812-08016	25 - 3										
95812-08020	14 - 2										
	17 - 49										
95812-08040	12 - 3										
95812-08045	9 - 13										
95812-08050	25 - 4										
95812-08060	11 - 19										
	11 - 32										
95812-10020	10 - 2										
	22 - 1										
95812-10055	11 - 35										
95812-12030	34 - 3										
95812-12055	11 - 17										
	11 - 30										
95812-12080	13 - 17										
95822-06012	25 - 6										
	34 - 26										
	35 - 42										
95822-06016	34 - 16										
	34 - 19										
	35 - 39										
95822-06030	2 - 14										
95822-08020	8 - 5										
	34 - 5										
	34 - 11										
95822-10020	11 - 2										
97012-06020	17 - 7										
97012-08030	14 - 30										
97012-10050	9 - 14										
97012-10070	2 - 4										
9708R-06020	29 - 10										
97602-04316	23 - 14										
97602-05225	35 - 21										
97702-50016	6 - 20										
97702-60416	6 - 17										
98502-06014	7 - 4										
9850N-04010	32 - 23										
9850N-05016	32 - 22										
9850N-05018	32 - 31										
99001-07600	6 - 9										
99001-09600	16 - 11										
99009-19400	23 - 13										
99530-08016	9 - 7										
99530-14016	2 - 6										