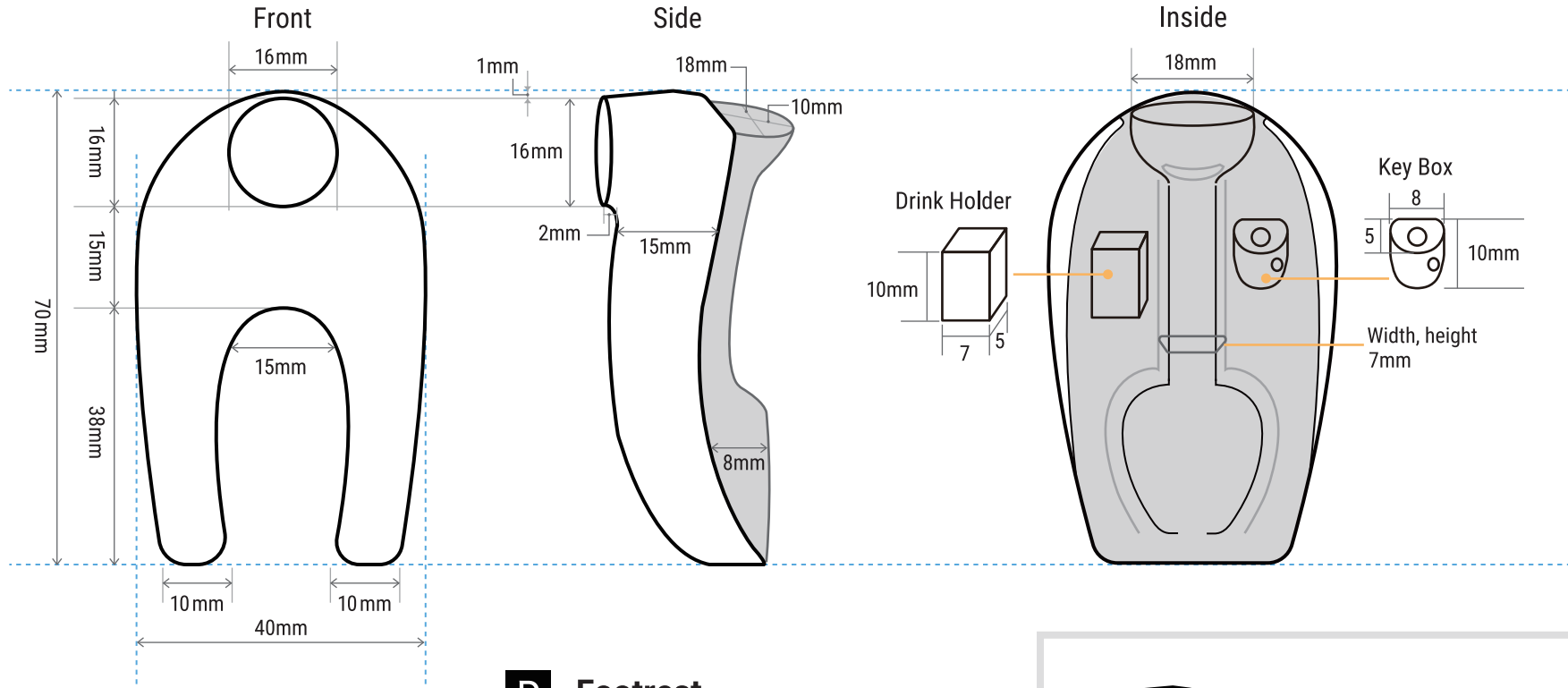
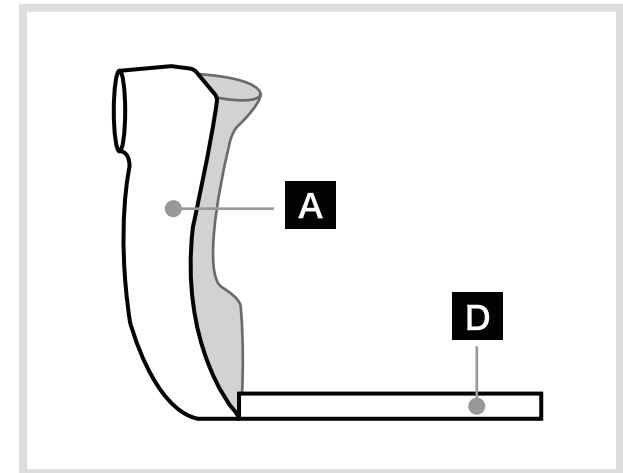
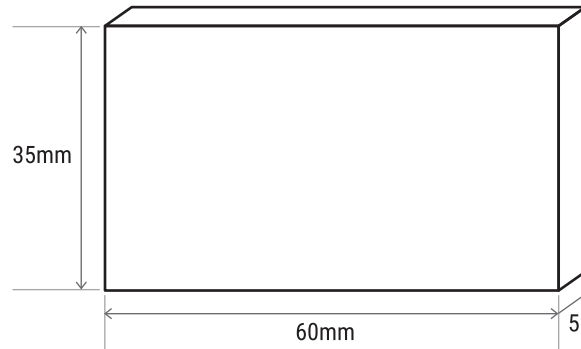




**A Front, Headlight**

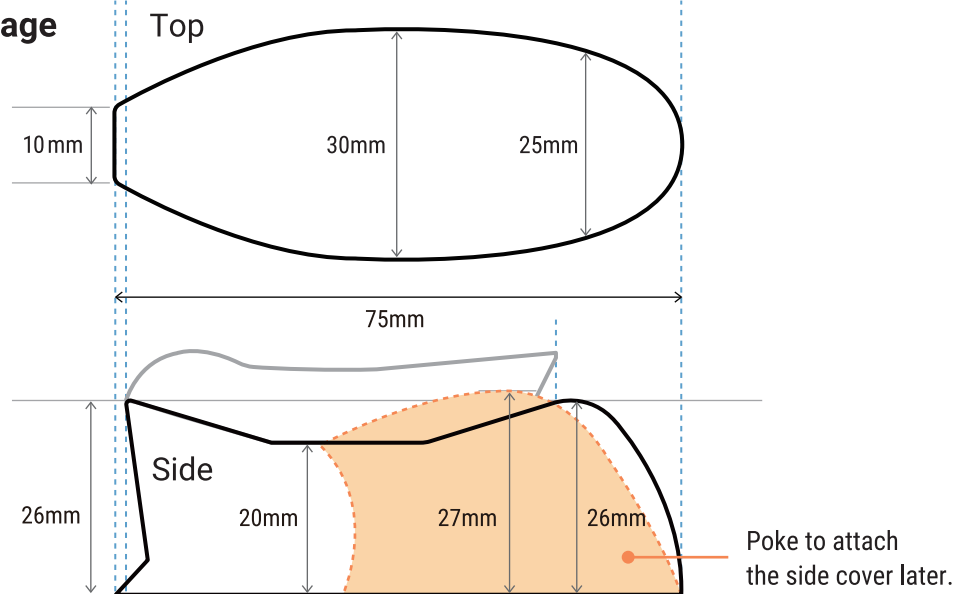


**D Footrest**





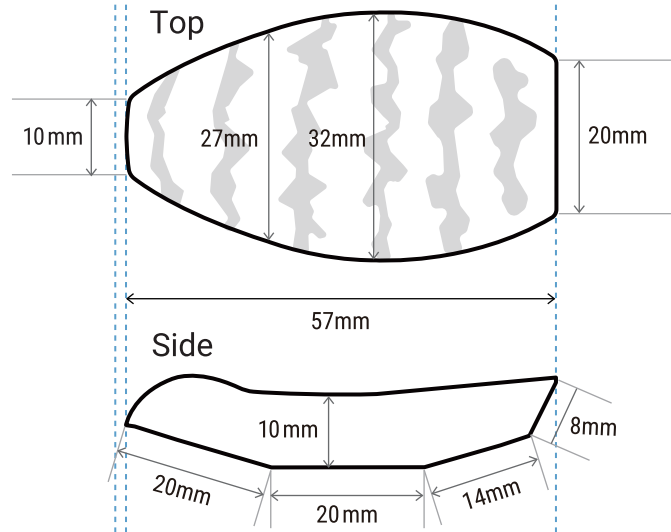
**B Underseat storage**



For the orange version, poke the black stripes of the watermelon pattern and the YAMAHA letters onto the seat.

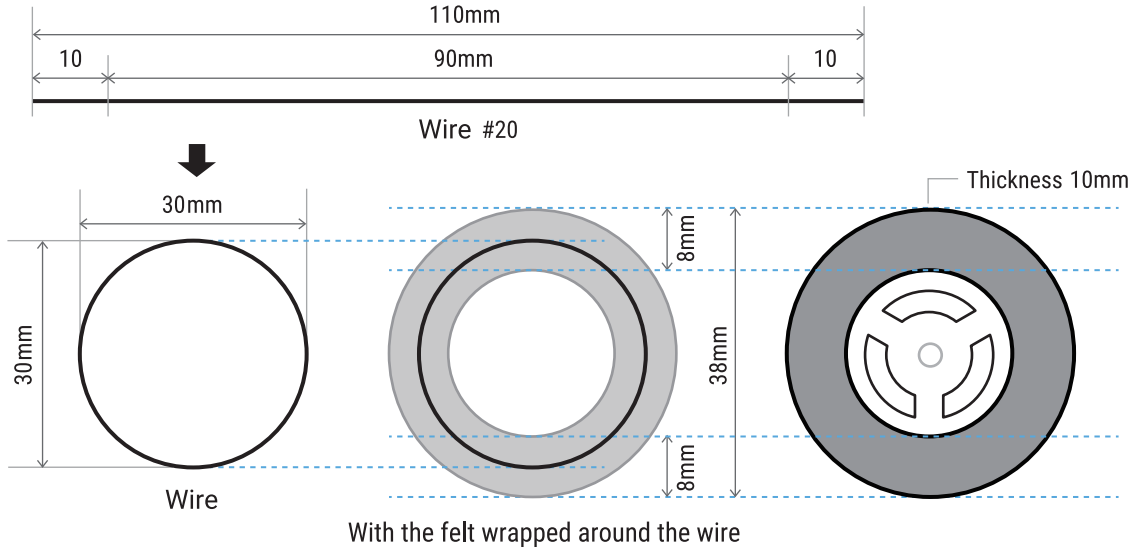


**C Seat**





**E Tire**



**F Rear Fender**

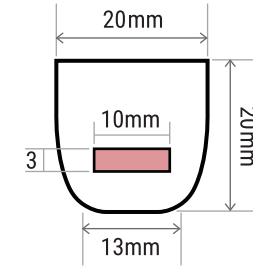


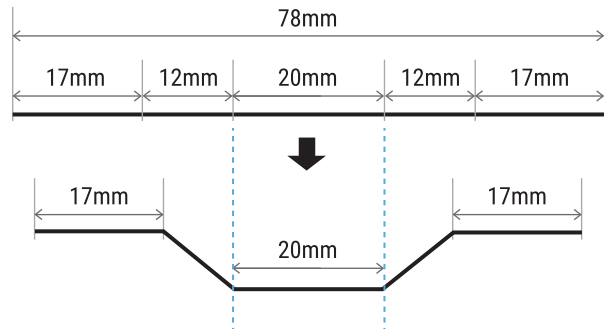
Photo for reference



**G Handlebars, Mirror**

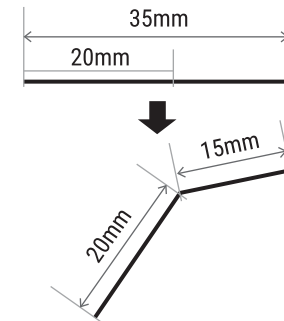
**Handlebars**

Wire #20

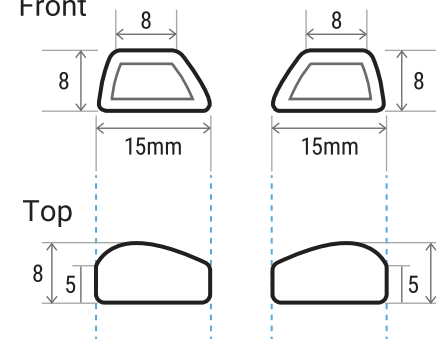


**Mirror**

Wire #20



**Front**

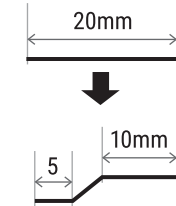


**Top**



**Brake**

Wire #20



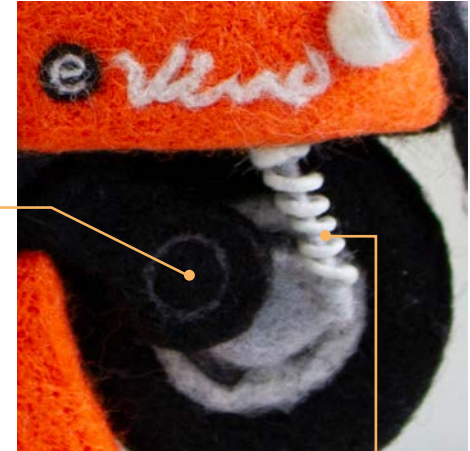
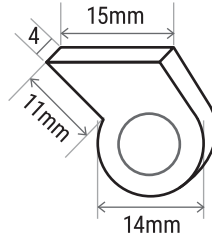


**H** Suspension

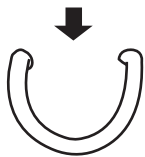
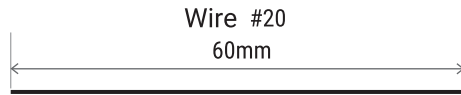
Wire



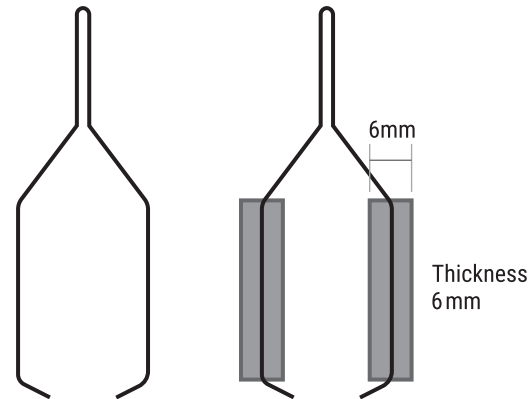
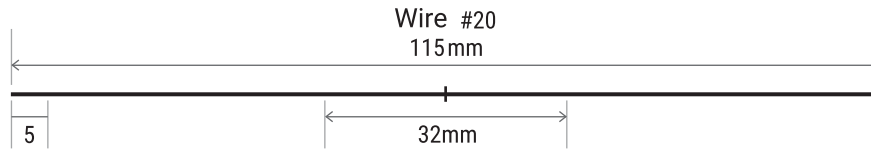
**I** Motor



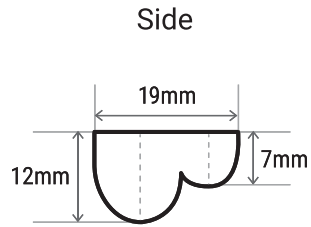
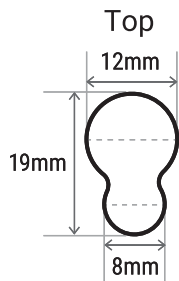
**J** Carrier



**K** Front Fork



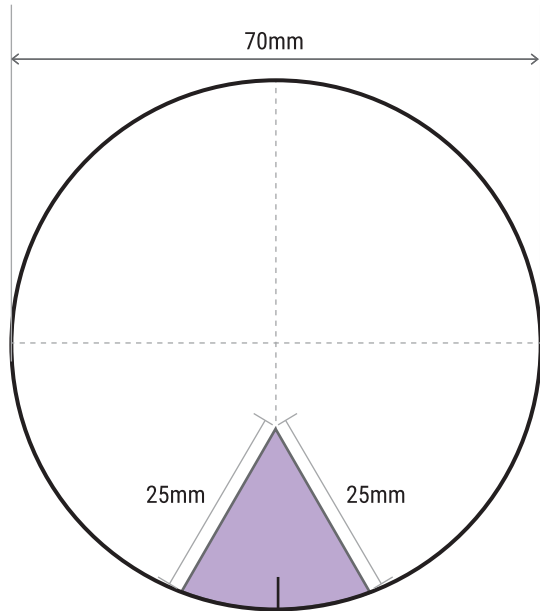
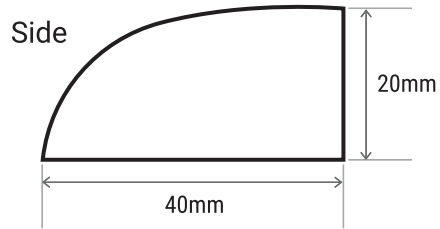
**L** Meter





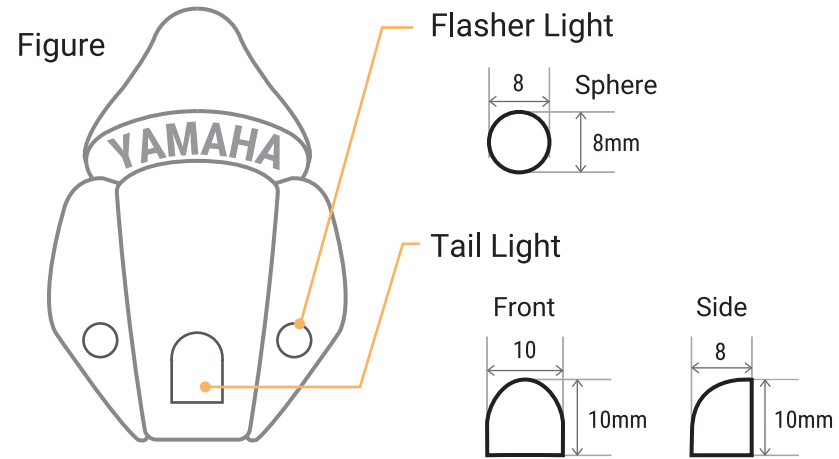


**M Front Fender**



Cut this part out once you have formed a circle.

**N Position the rear flasher lights and tail light**



**■ Pedestal**

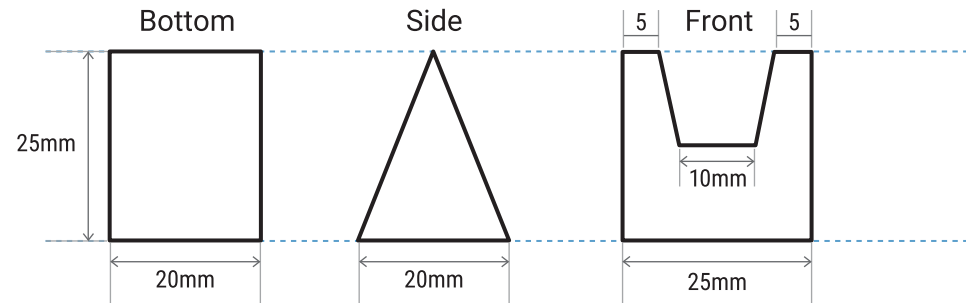
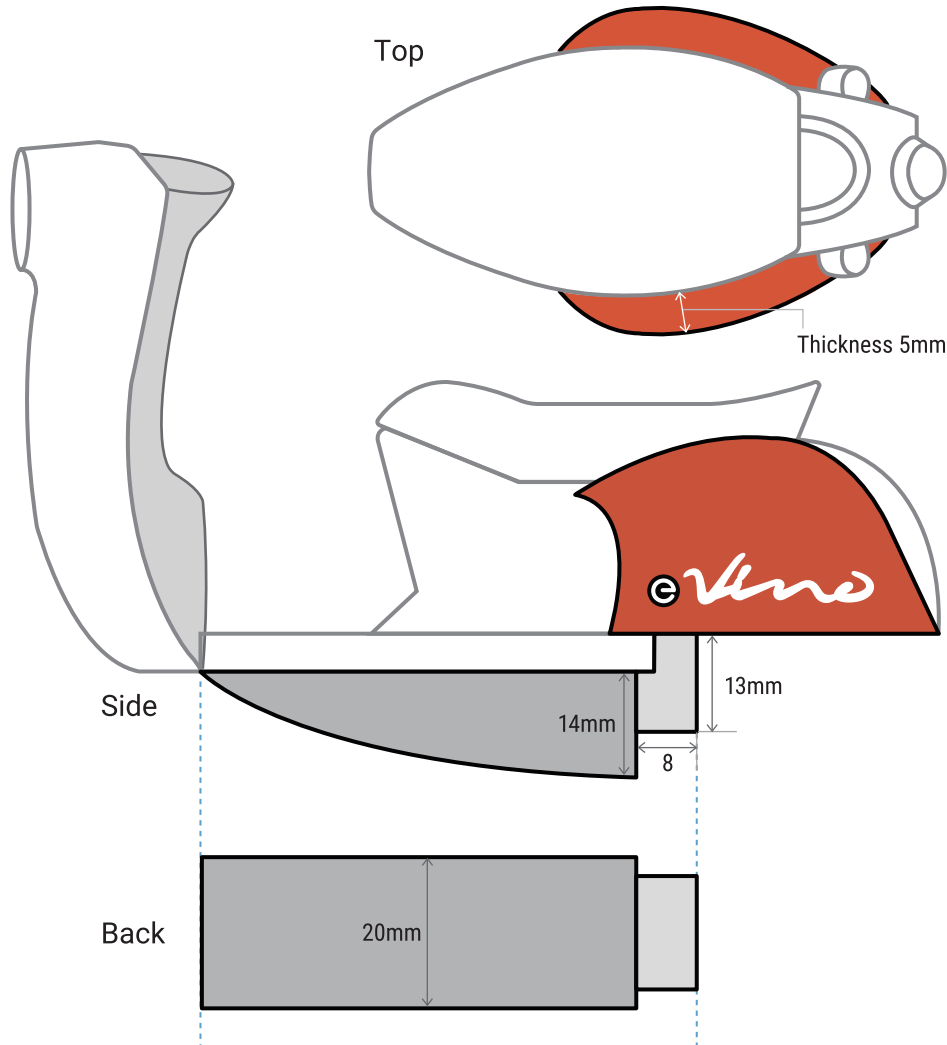




Figure : **Frame**



Directly poke to attach according to the above diagram.

Figure : **Front**

Reference diagram for orange version colouring

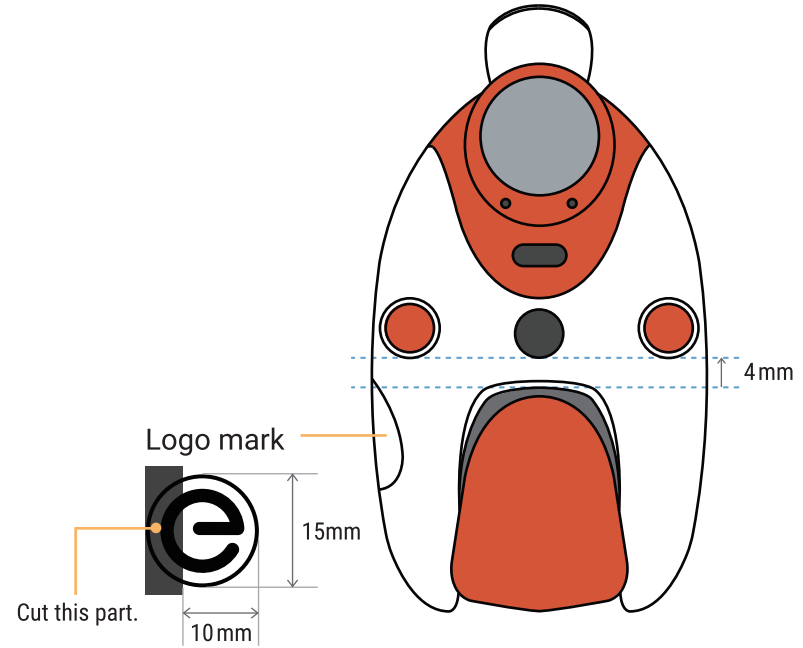


Photo for reference



Figure : **Side**

Reference diagram for orange version colouring



Logo sample

